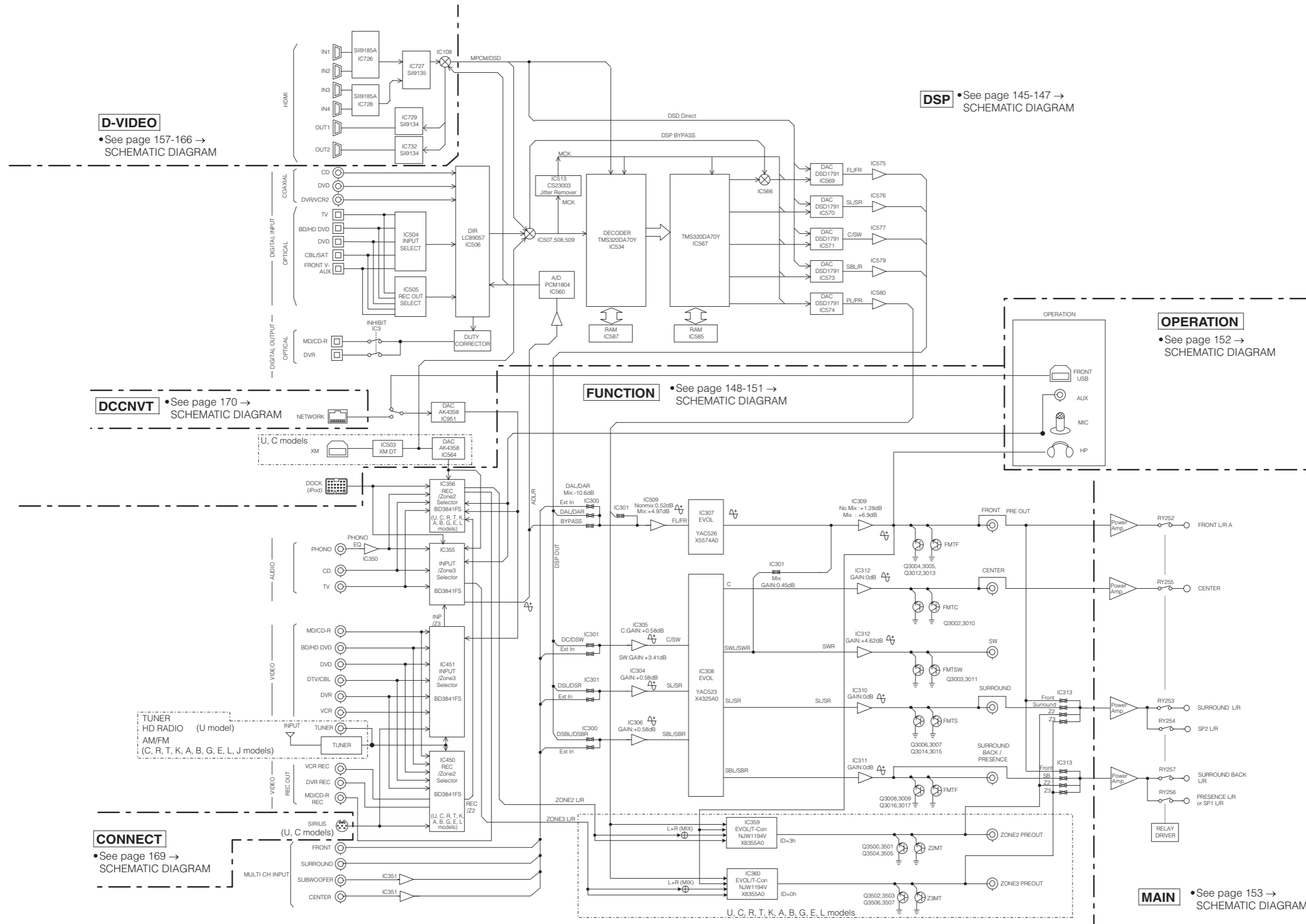


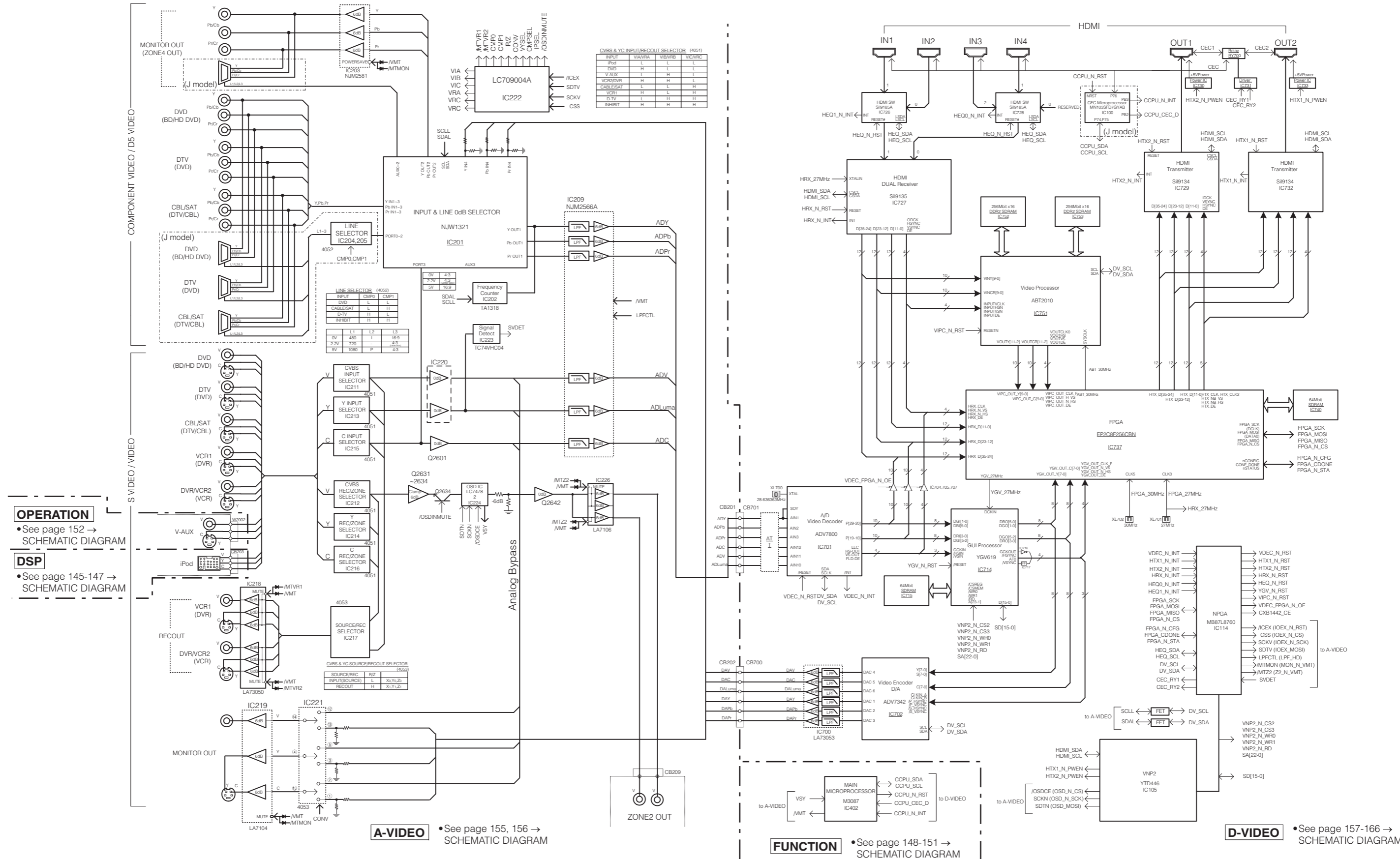
BLOCK DIAGRAMS

AUDIO SECTION BLOCK DIAGRAM



VIDEO SECTION BLOCK DIAGRAM

1
2
3
4
5
6
7



CVBS & YC INPUT/RECOOUT SELECTOR (4051)

INPUT	VIA/VRA	VIB/VRC	VIC/VRC
INP	L	L	L
DVD	H	L	L
V-AUX	L	H	L
VCR2/DVR	H	H	L
CABLE/SAT	L	L	H
VCR1	H	L	H
D-TV	L	H	H
INHIBIT	H	H	H

LINE SELECTOR (4052)

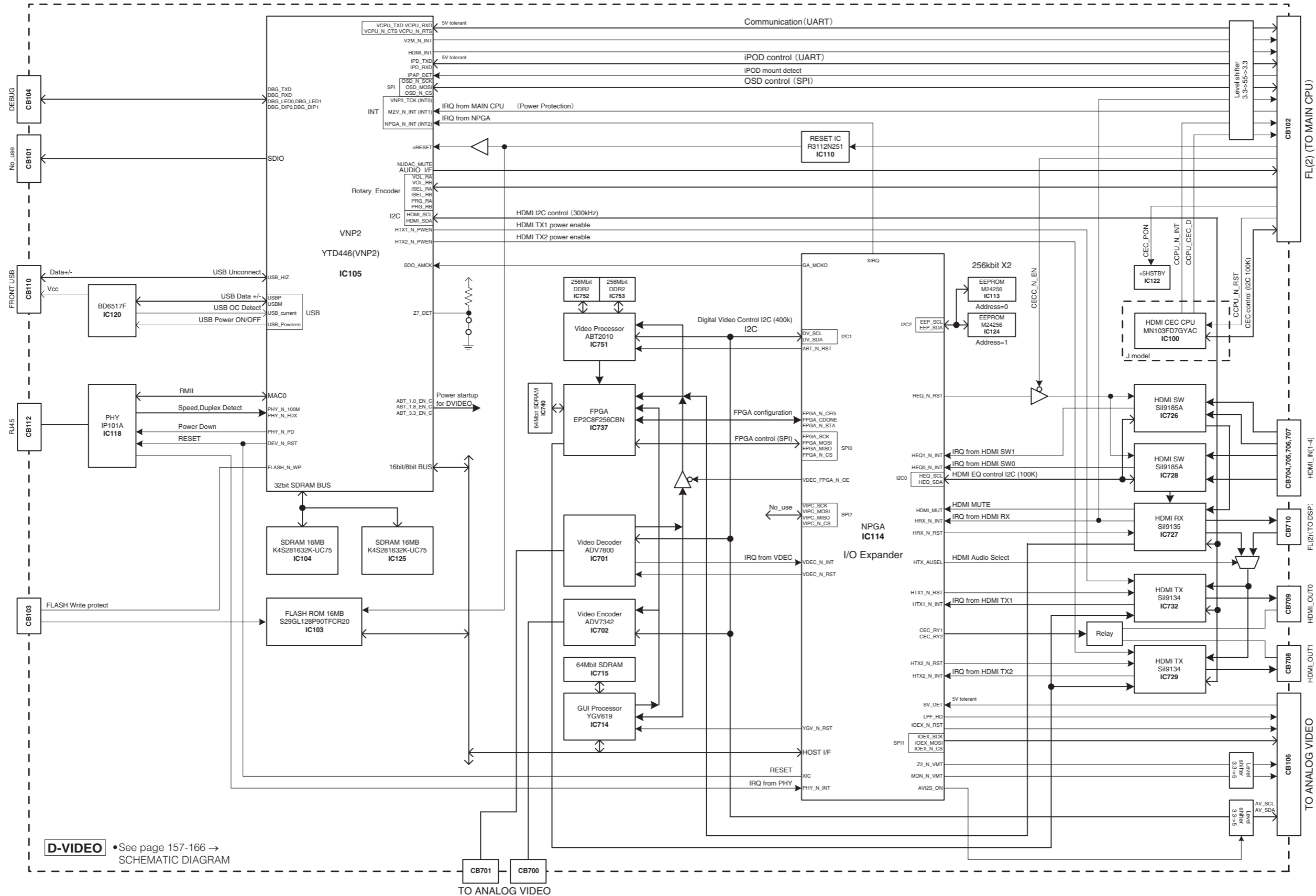
INPUT	CMPO	CMPT
DVD	L	H
CABLE/SAT	L	H
D-TV	H	L
INHIBIT	H	H

DV	L1	L2	L3
480	I	16.9	
720			16.9
1080	P	4.3	

CVBS & YC SOURCE/RECOOUT SELECTOR (4053)

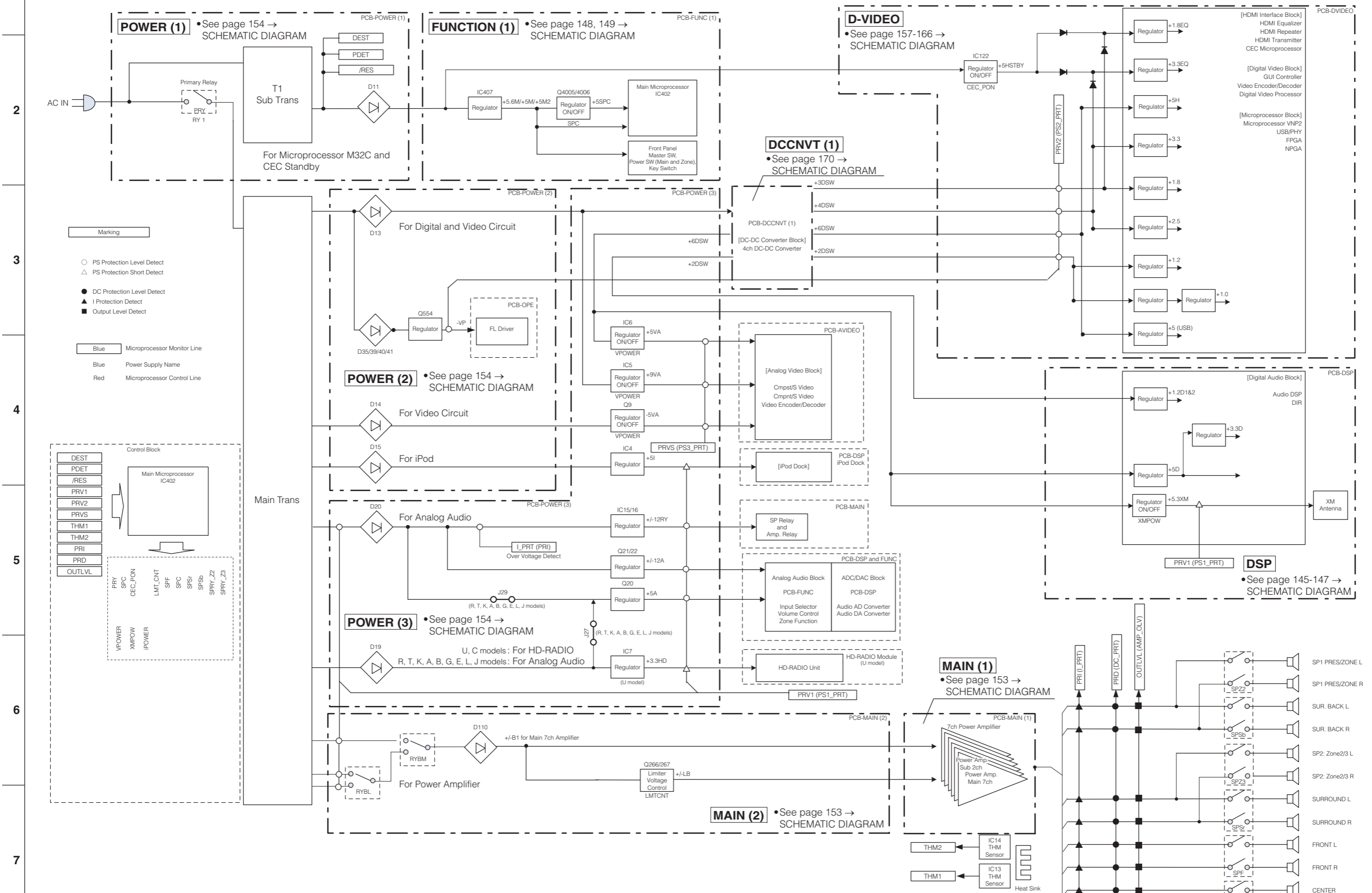
SOURCE/REC	RZ	X0:Y0:Z0	X1:Y1:Z1
INPUT(SOURCE)	L	X0:Y0:Z0	X1:Y1:Z1
RECOOUT	H	X1:Y1:Z1	

D-VIDEO SECTION BLOCK DIAGRAM

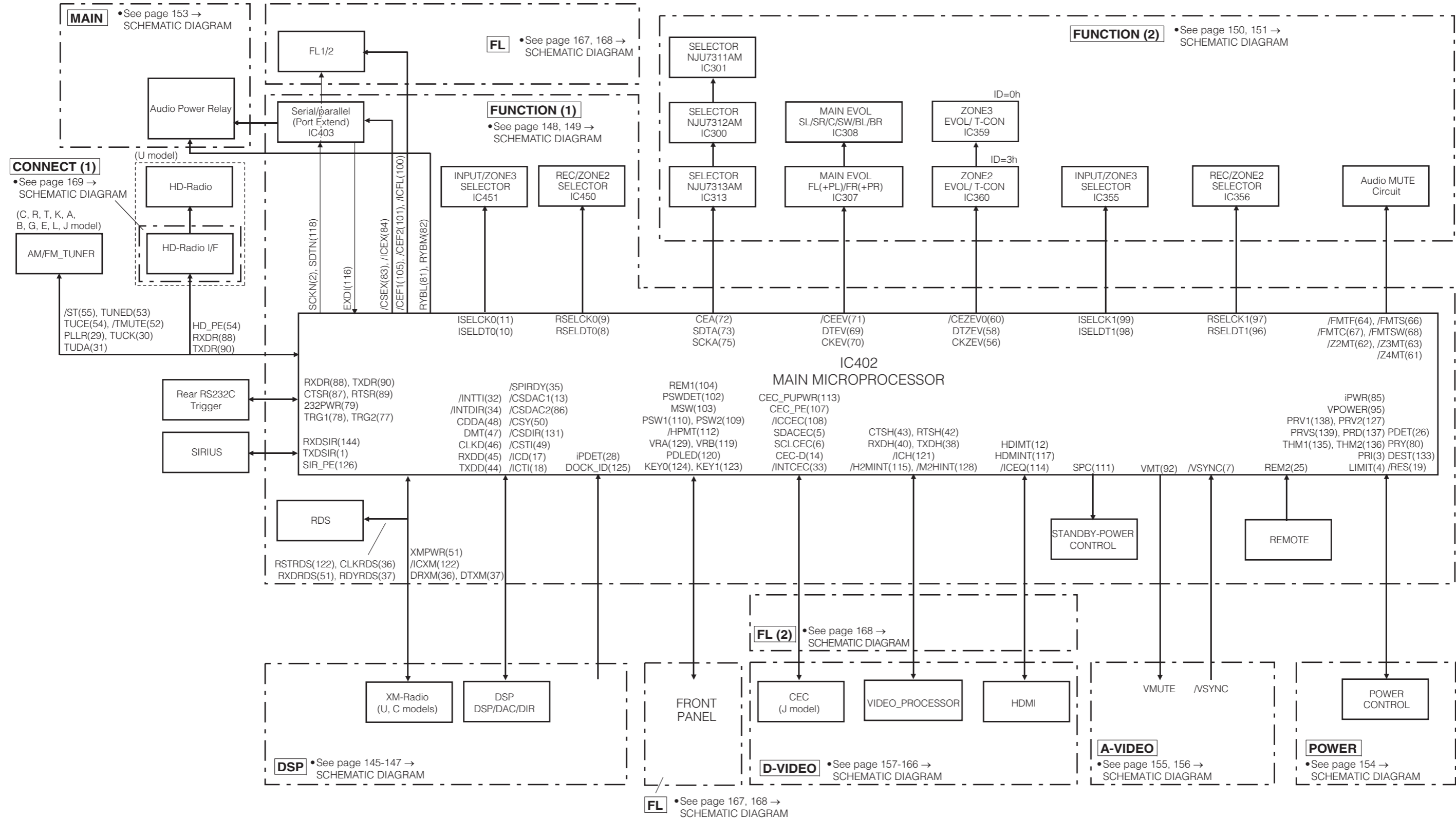


1
2
3
4
5
6
7

POWER SECTION BLOCK DIAGRAM

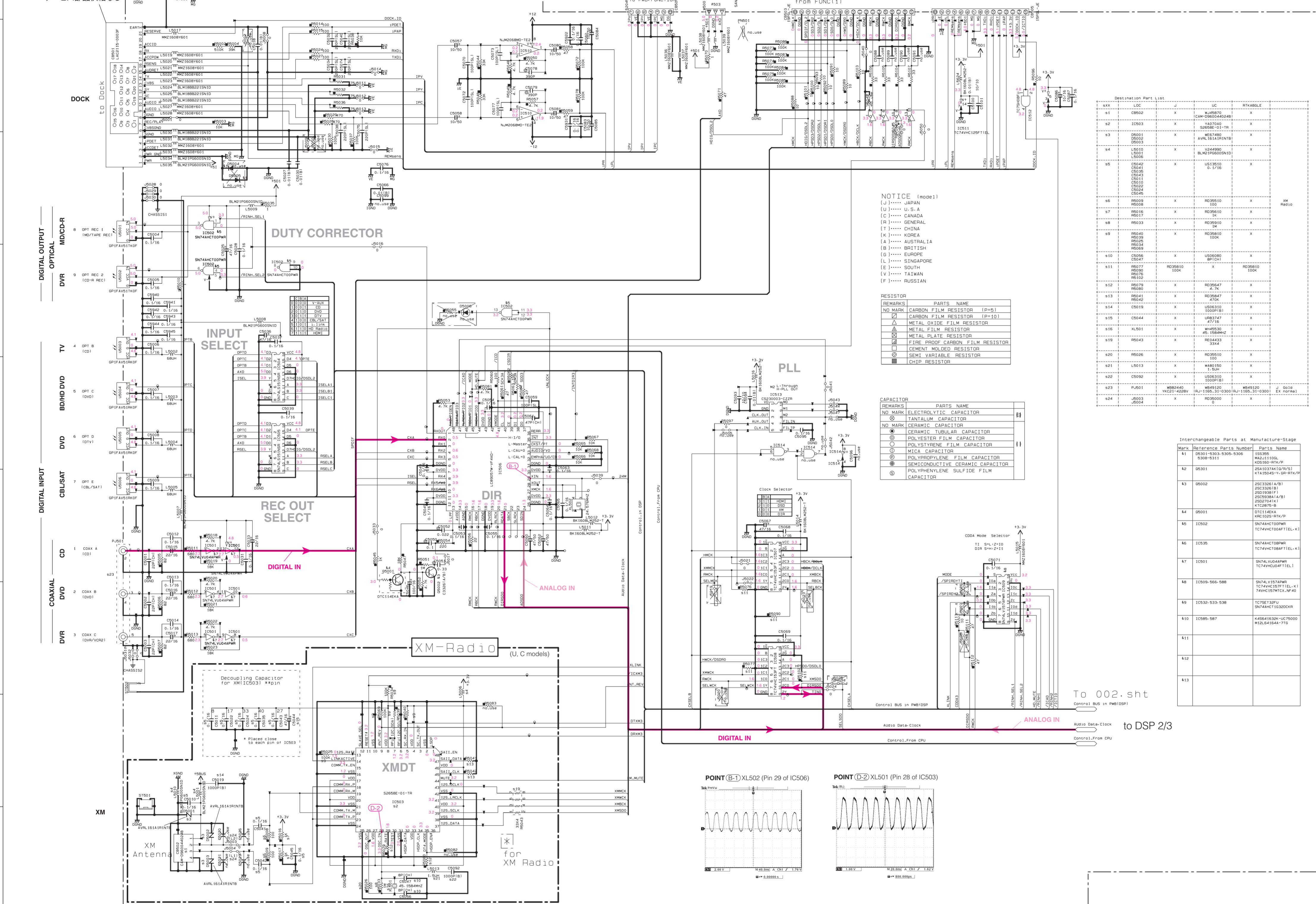


CONTROL SECTION BLOCK DIAGRAM



SCHEMATIC DIAGRAMS DSP 1/3

No replacement part available. サービス部品供給なし



Page 148 [J8] to FUNCTION (1)_CB411, Page 152 [F2] to OPERATION (3)_CB805, Page 168 [B8] to FL (2)_CB954, Page 168 [E8] to FL (2)_CB974

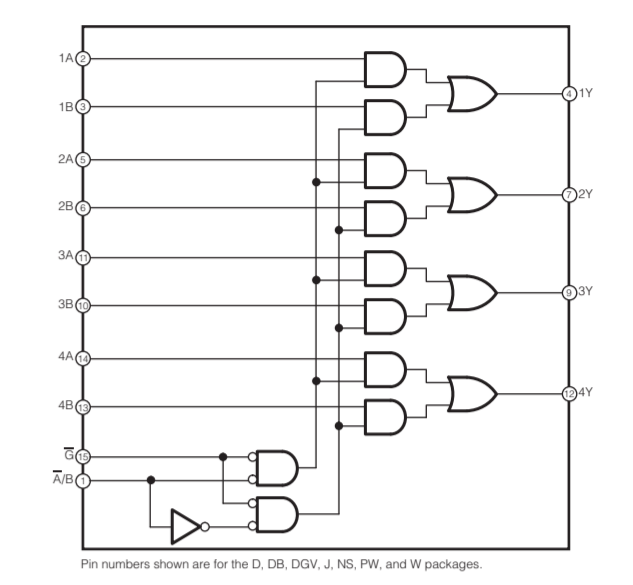
NOTICE (made 1) (J)..... JAPAN (U)..... U.S.A (C)..... CANADA (B)..... GENERAL (T)..... CHINA (K)..... KOREA (A)..... AUSTRALIA (B)..... BRITISH (G)..... EUROPE (L)..... SINGAPORE (E)..... SOUTH (V)..... TAIWAN (F)..... RUSSIAN

RESISTOR table with columns for Remarks, Parts Name, and various resistor types like Carbon Film Resistor, Metal Oxide Film Resistor, etc.

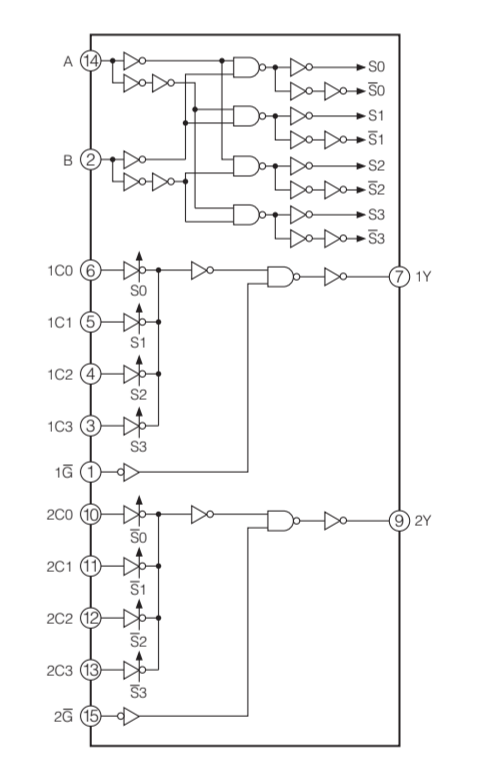
CAPACITOR table with columns for Remarks, Parts Name, and various capacitor types like Electrolytic Capacitor, Tantalum Capacitor, etc.

Destination Part List table with columns for SxK, LOC, J, UC, RTK485LE, and various part numbers.

IC509: SN74LV157APWR Quadruple 2-line to 1-line data selectors/multiplexers

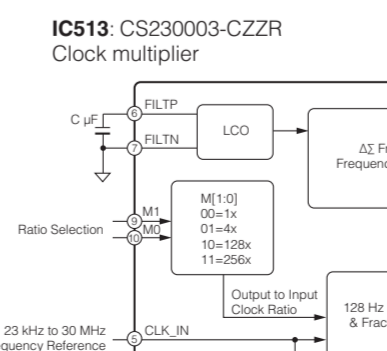
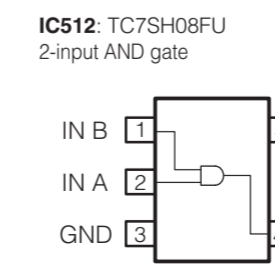
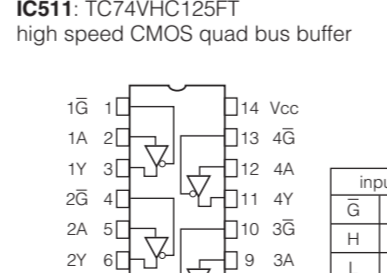
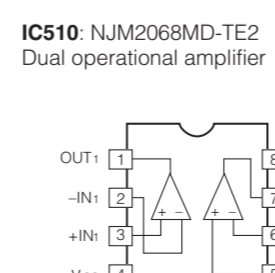
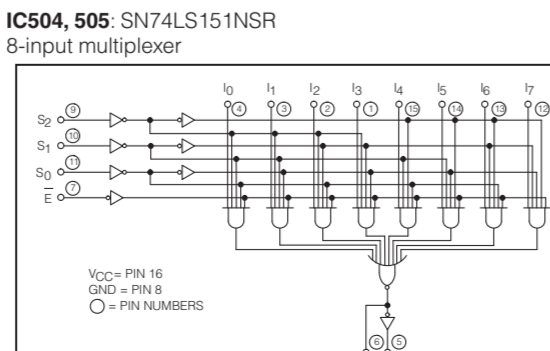
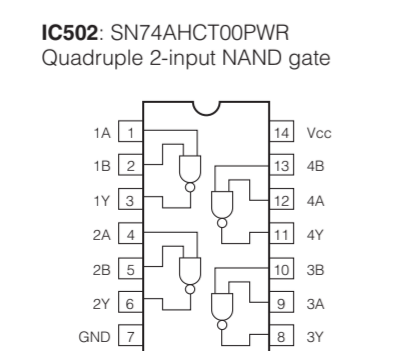
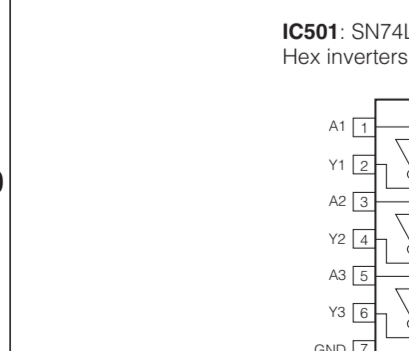
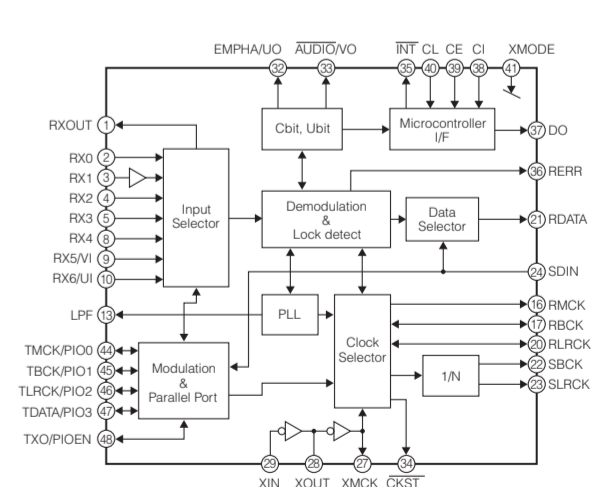


IC507, 508: TC74VHC153FT Dual 4-channel multiplexer



Interchangeable Parts at Manufacture-Stage table with columns for Mark, Reference Parts Number, and Parts Name.

IC506: LC89057W-VF4AD-E Digital audio interface transceiver



* All voltages are measured with a 10MΩ/V DC electronic voltmeter. * Components having special characteristics are marked with a triangle and must be replaced with parts having specifications equal to those originally installed. * Schematic diagram is subject to change without notice. ● 電圧は、内部抵抗10MΩの電圧計で測定したものです。 ● 印のある部品は、安全性確保部品を示しています。部品の交換が必要な場合、パーツリストに記載されている部品を使用してください。 ● 本回路図は標準回路図です。改良のため予告なく変更することがございます。

DSP 2/3

NOTICE (model)
(U) JAPAN
(C) U.S.A.
(A) CANADA
(G) GENERAL
(T) CHINA
(K) KOREA
(A) AUSTRALIA
(B) BRITISH
(G) EUROPE
(L) SINGAPORE
(E) SOUTH EUROPE
(V) TAIWAN
(F) RUSSIAN

Table with 2 columns: CAPACITOR, PARTS NAME. Lists various capacitor types like electrolytic, tantalum, ceramic, polyester, mica, etc.

Table with 2 columns: RESISTOR, PARTS NAME. Lists various resistor types like carbon film, metal oxide, metal plate, etc.

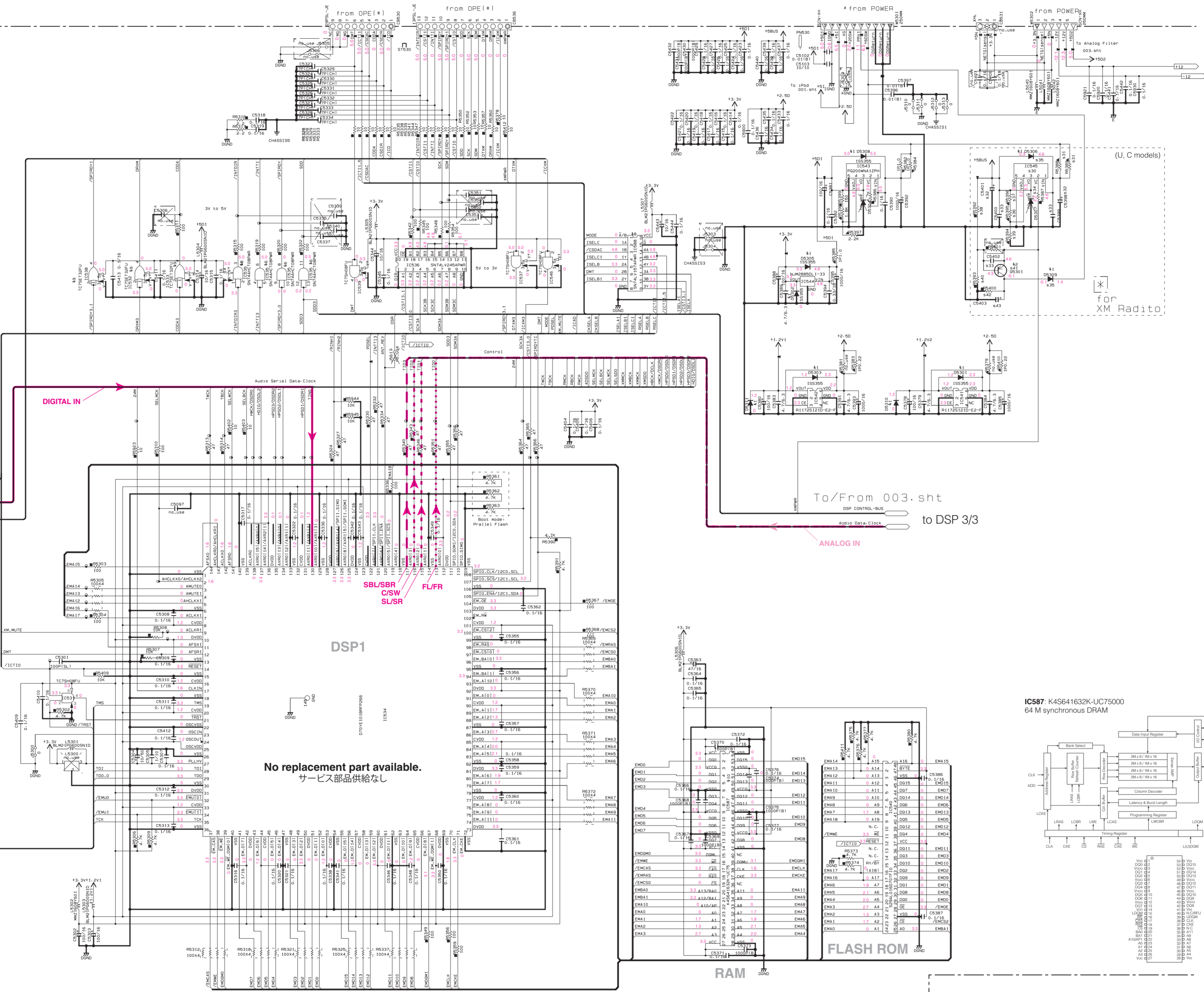
Page 168 L5 to FL(5)_CB973

Page 168 N5 to FL(5)_CB959

Page 154 H5 to POWER(3)_CB16

Page 154 H6 to POWER(3)_CB17

Destination Part List table with columns: SKT, LOC, UC, RTKABLE. Lists various components and their locations.



To/From 001.sht
Control BUS in PWB(DSP)
AUDIO Data-Clock
Control From CPU
ANALOG IN

To/From 003.sht
DSP CONTROL-BUS
AUDIO Data-Clock
ANALOG IN
to DSP 3/3

to DSP 3/3 To/From 003.sht

No replacement part available. サービス部品供給なし

All voltages are measured with a 10MΩ/V DC electronic voltmeter. Components having special characteristics are marked with a star and must be replaced with parts having specifications equal to those originally installed.

電圧は、内部抵抗10MΩの電圧計で測定したものです。★印のある部品は、安全性確保部品を示しています。部品の交換が必要な場合、パーツリストに記載されている部品を使用してください。

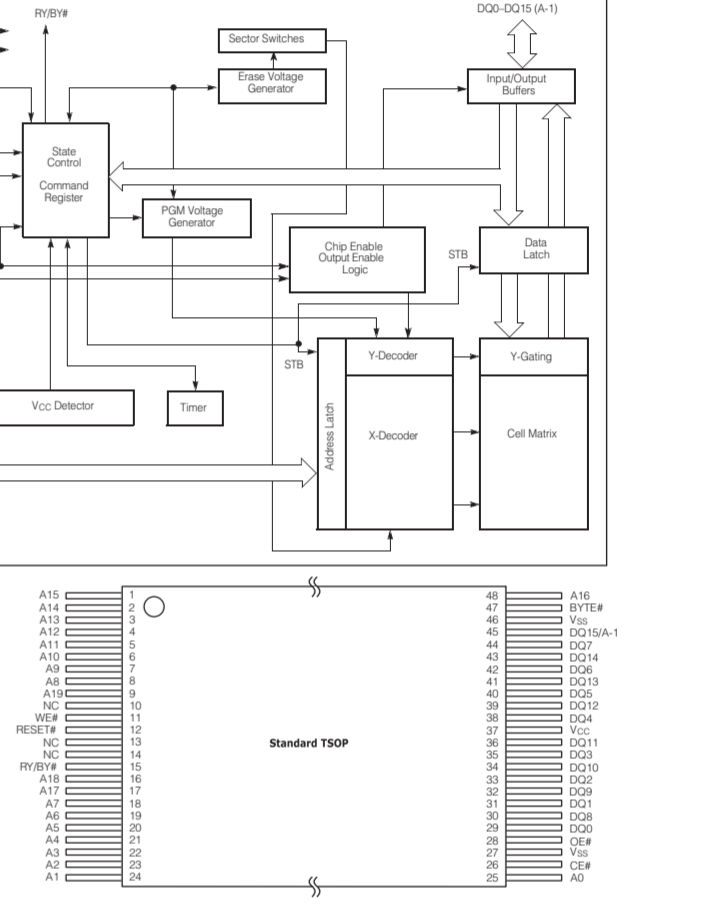
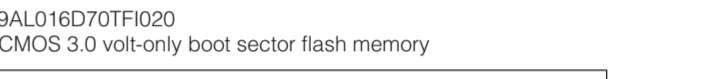
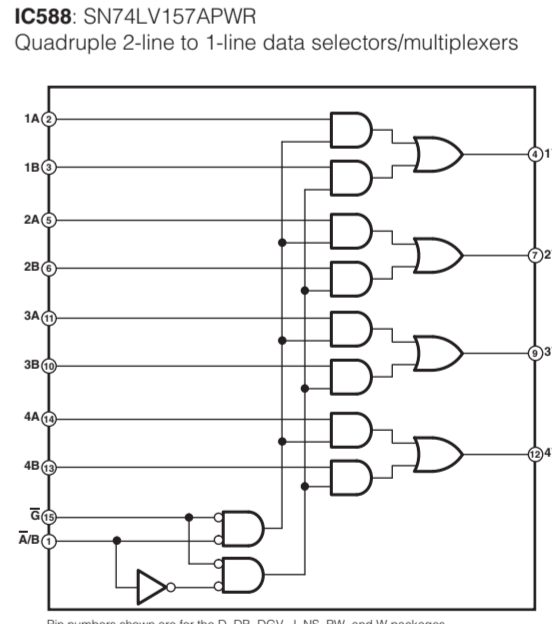
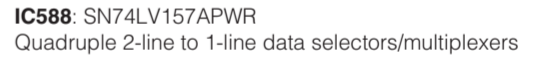
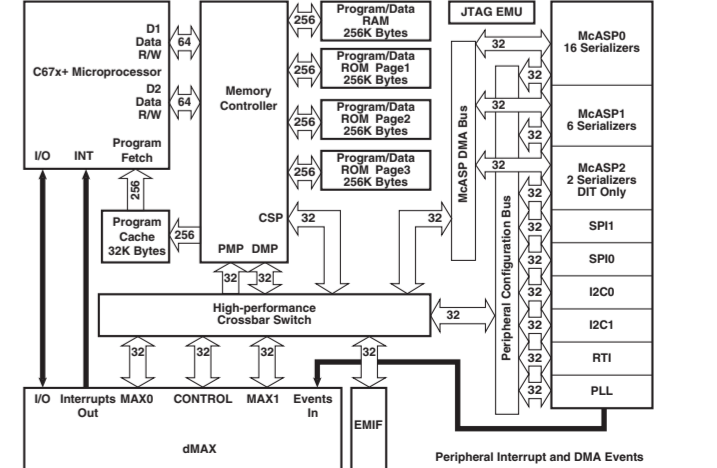
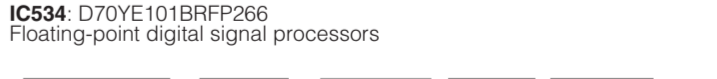
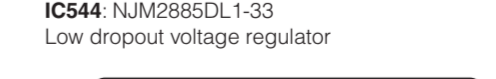
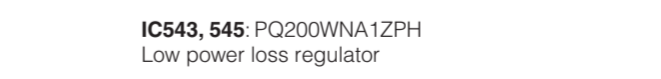
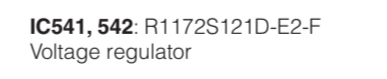
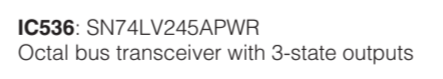
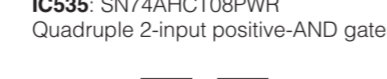
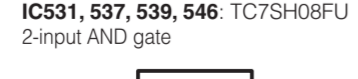
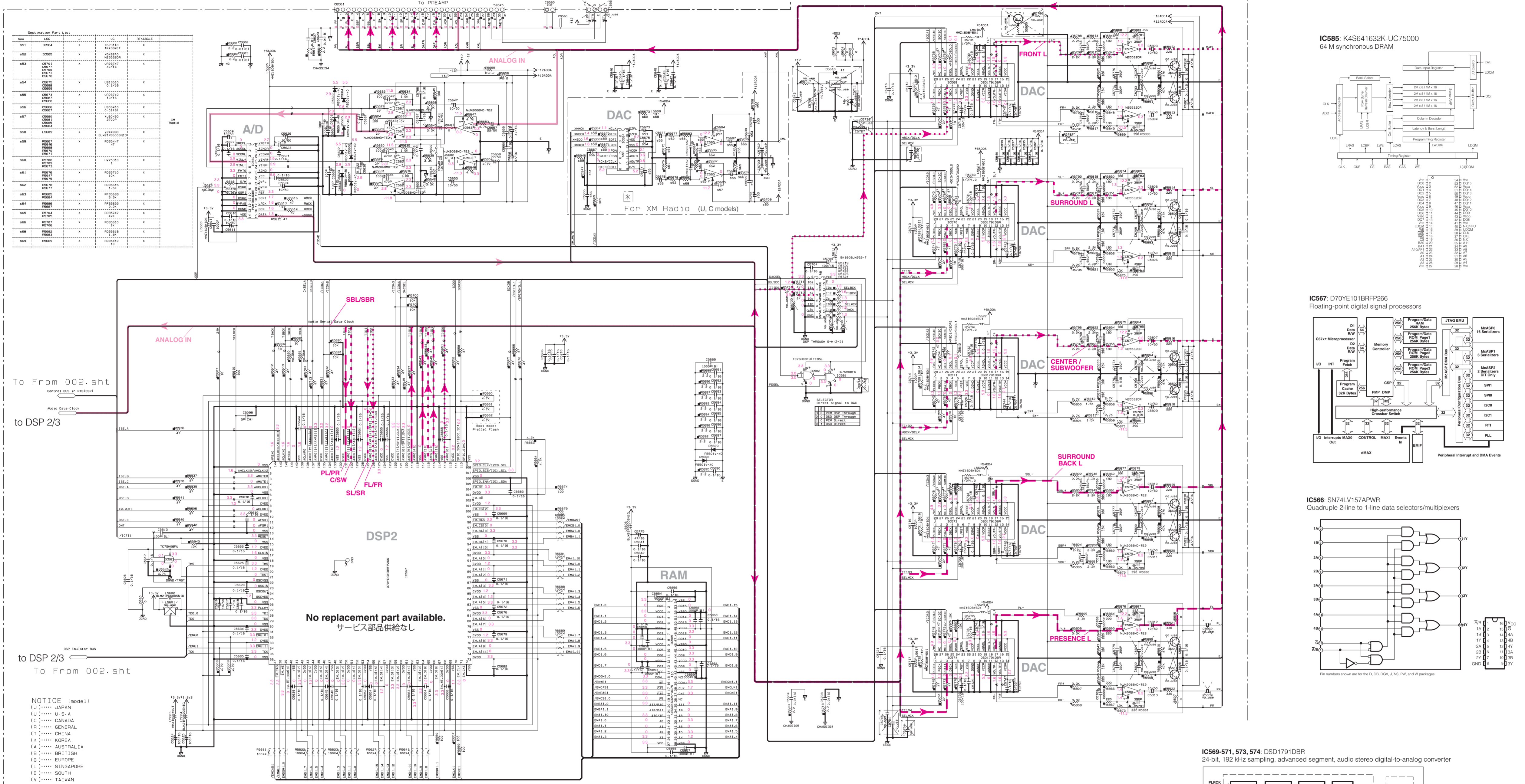


Table with 3 columns: Pin No., Symbol, Description. Lists pin numbers and their functions for the voltage regulator.

DSP 3/3

Page 150 [B5] to FUNCTION (2)_CB300 Page 151 [C3] to FUNCTION (2)_W3503



Destination Part List

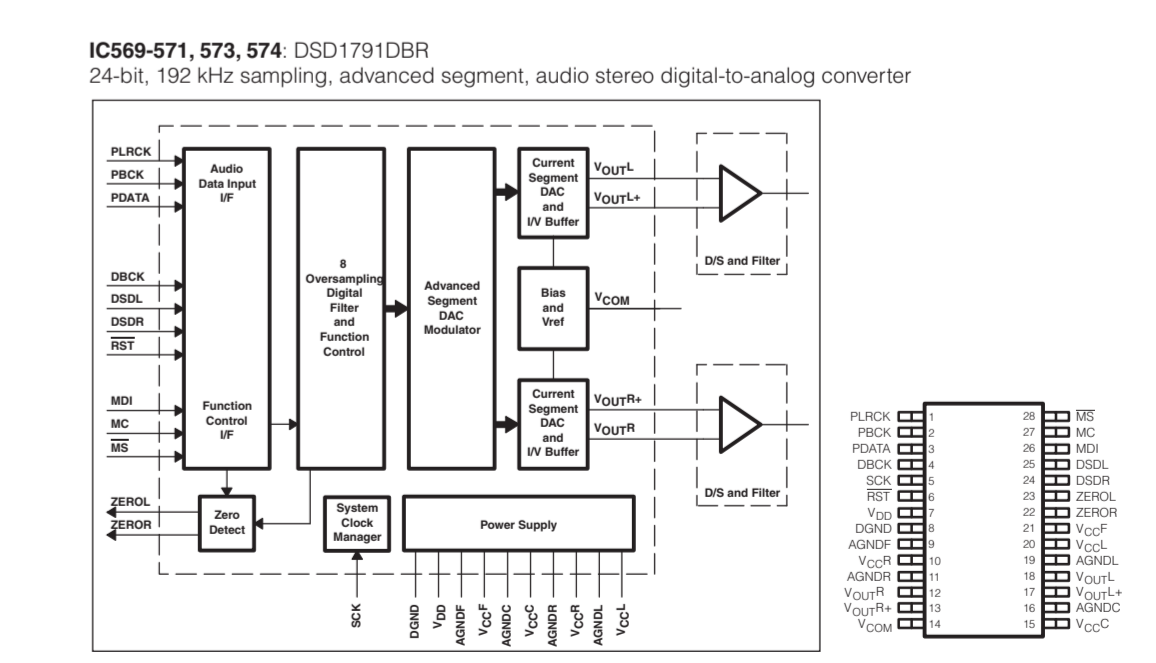
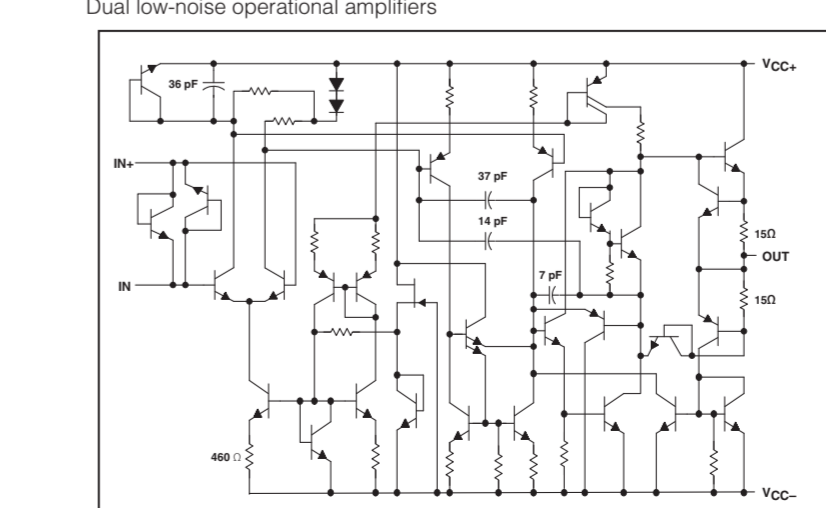
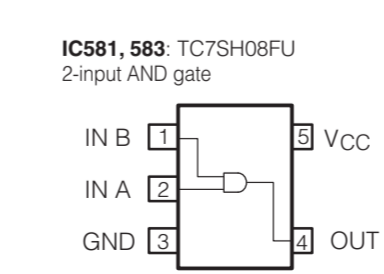
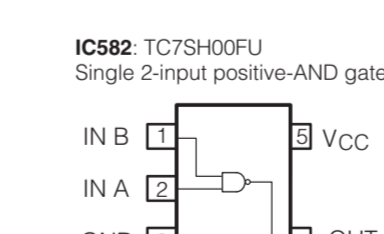
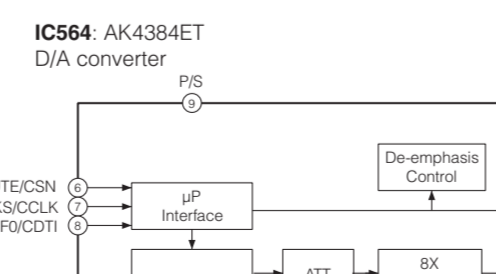
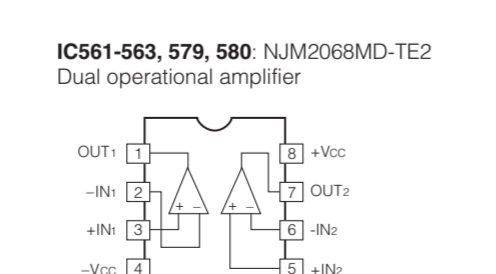
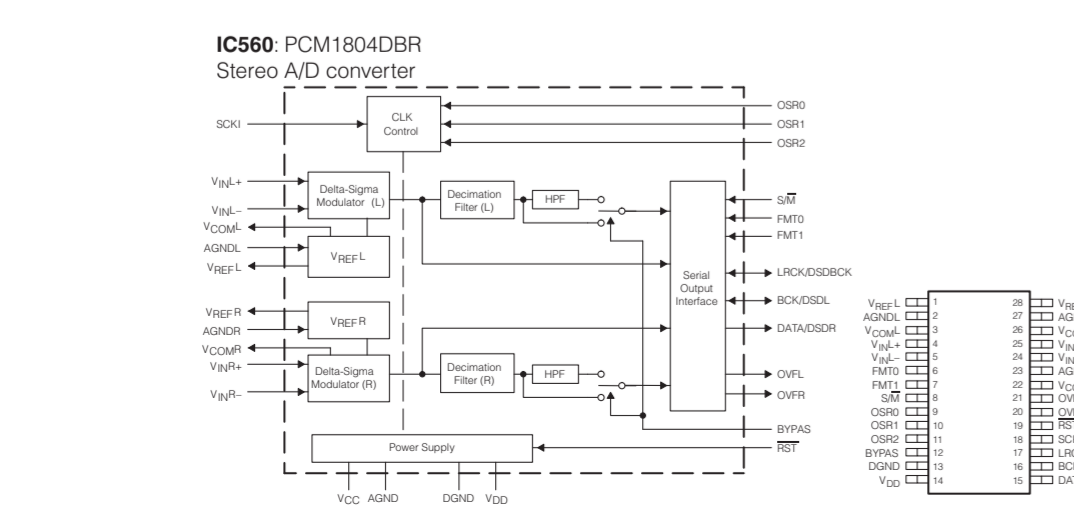
NO	LOC	QTY	UC	RTK486L
951	IC564	1	AK4384ET	X
952	IC565	1	PCM1804DBR	X
953	IC566	1	SN74LV157APWR	X
954	IC567	1	D70YE101BRFP266	X
955	IC568	1	TC7SH08FU	X
956	IC569	1	TC7SH00FU	X
957	IC570	1	TC7SH00FU	X
958	IC571	1	TC7SH00FU	X
959	IC572	1	TC7SH00FU	X
960	IC573	1	TC7SH00FU	X
961	IC574	1	TC7SH00FU	X
962	IC575	1	TC7SH00FU	X
963	IC576	1	TC7SH00FU	X
964	IC577	1	TC7SH00FU	X
965	IC578	1	TC7SH00FU	X
966	IC579	1	TC7SH00FU	X
967	IC580	1	TC7SH00FU	X
968	IC581	1	TC7SH00FU	X
969	IC582	1	TC7SH00FU	X
970	IC583	1	TC7SH00FU	X
971	IC584	1	TC7SH00FU	X
972	IC585	1	TC7SH00FU	X
973	IC586	1	TC7SH00FU	X
974	IC587	1	TC7SH00FU	X
975	IC588	1	TC7SH00FU	X
976	IC589	1	TC7SH00FU	X
977	IC590	1	TC7SH00FU	X
978	IC591	1	TC7SH00FU	X
979	IC592	1	TC7SH00FU	X
980	IC593	1	TC7SH00FU	X
981	IC594	1	TC7SH00FU	X
982	IC595	1	TC7SH00FU	X
983	IC596	1	TC7SH00FU	X
984	IC597	1	TC7SH00FU	X
985	IC598	1	TC7SH00FU	X
986	IC599	1	TC7SH00FU	X
987	IC600	1	TC7SH00FU	X
988	IC601	1	TC7SH00FU	X
989	IC602	1	TC7SH00FU	X
990	IC603	1	TC7SH00FU	X
991	IC604	1	TC7SH00FU	X
992	IC605	1	TC7SH00FU	X
993	IC606	1	TC7SH00FU	X
994	IC607	1	TC7SH00FU	X
995	IC608	1	TC7SH00FU	X
996	IC609	1	TC7SH00FU	X
997	IC610	1	TC7SH00FU	X
998	IC611	1	TC7SH00FU	X
999	IC612	1	TC7SH00FU	X
1000	IC613	1	TC7SH00FU	X

To From 002.sht
to DSP 2/3

To From 002.sht
to DSP 2/3

NOTICE (note1)
(J)..... JAPAN
(U)..... U.S.A
(C)..... CANADA
(R)..... GENERAL
(T)..... CHINA
(K)..... KOREA
(A)..... AUSTRALIA
(B)..... BRITISH
(G)..... EUROPE
(L)..... SINGAPORE
(E)..... SOUTH
(V)..... TAIWAN
(F)..... RUSSIAN

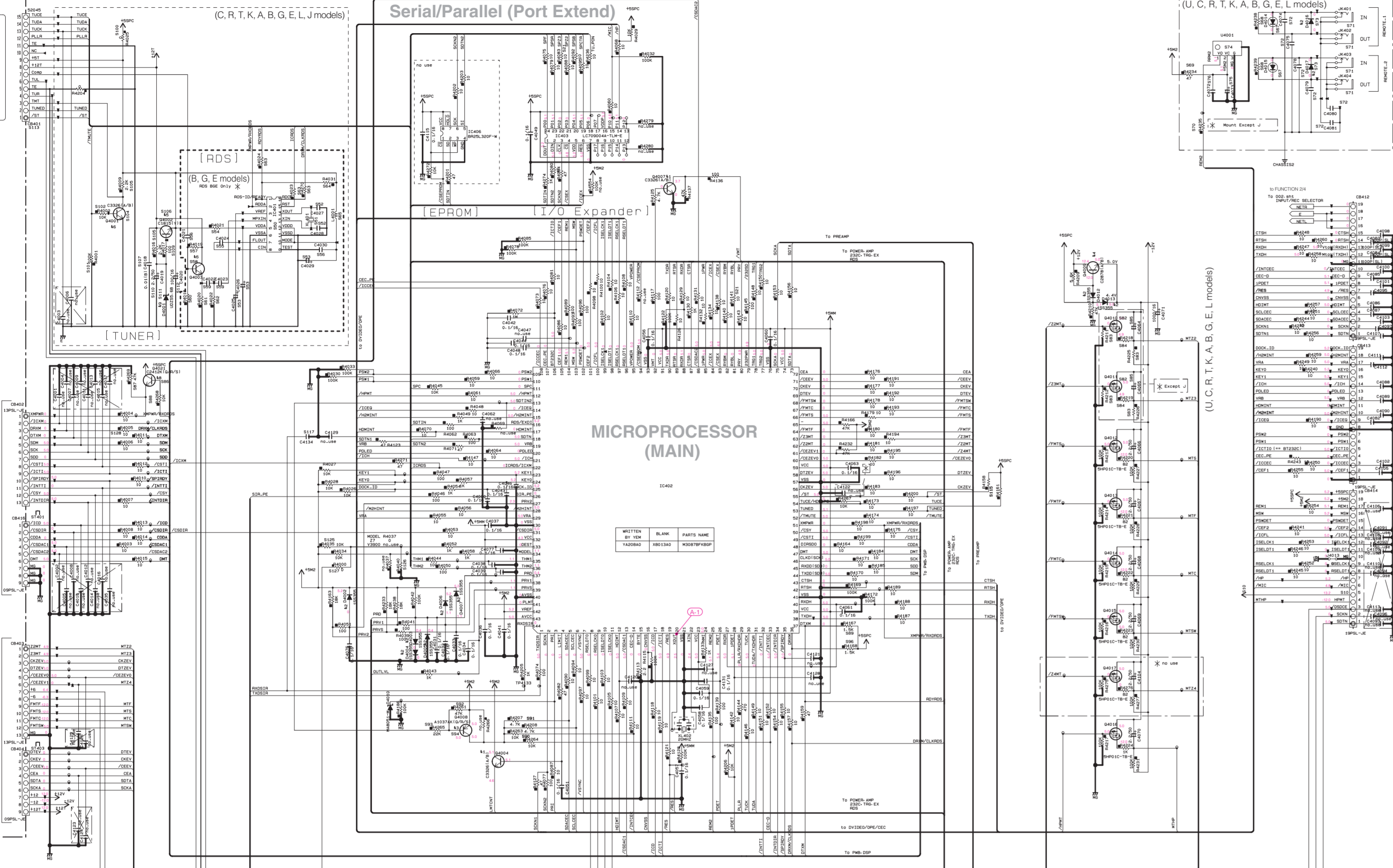
REMARKS	PARTS NAME	REMARKS	PARTS NAME
NO MARK	CARBON FILM RESISTOR (P=5)	NO MARK	ELECTROLYTIC CAPACITOR
NO MARK	CARBON FILM RESISTOR (P=10)	NO MARK	FANTALUM CAPACITOR
NO MARK	METAL OXIDE FILM RESISTOR	NO MARK	CERAMIC CAPACITOR
NO MARK	METAL FILM RESISTOR	NO MARK	POLYESTER FILM CAPACITOR
NO MARK	METAL PLATE RESISTOR	NO MARK	POLYETHYLENE FILM CAPACITOR
NO MARK	FIRE PROOF CARBON FILM RESISTOR	NO MARK	MICA CAPACITOR
NO MARK	CEMENT MOLDED RESISTOR	NO MARK	POLYPROPYLENE FILM CAPACITOR
NO MARK	SEM. VARIABLE RESISTOR	NO MARK	SEMICONDUCTIVE CERAMIC CAPACITOR
NO MARK	CHIP RESISTOR	NO MARK	POLYPHENYLENE SULFIDE FILM CAPACITOR



* All voltages are measured with a 10MΩ/V DC electronic voltmeter.
* Components having special characteristics are marked (Δ) and must be replaced with parts having specifications equal to those originally installed.
* Schematic diagram is subject to change without notice.
● 電圧は、内部抵抗10MΩの電圧計で測定したものです。
● Δ印のある部品は、安全な確保部品を示しています。部品の交換が必要な場合、パーツリストに記載されている部品を使用してください。
● 本回路図は標準回路図です。改良のため予告なく変更することがございます。

FUNCTION 1/4

Page 169 [B7] to CONNECT (1)_CB903 (U model) To AM/FM TUNER (C, R, T, K, A, B, G, E, L, J models)



NOTICE (model) (U) JAPAN (J) U.S.A. (C) CANADA (R) GENERAL (T) CHINA (A) AUSTRALIA (B) SINGAPORE (E) SOUTH EUROPE (L) TAIWAN (J) RUSSIAN

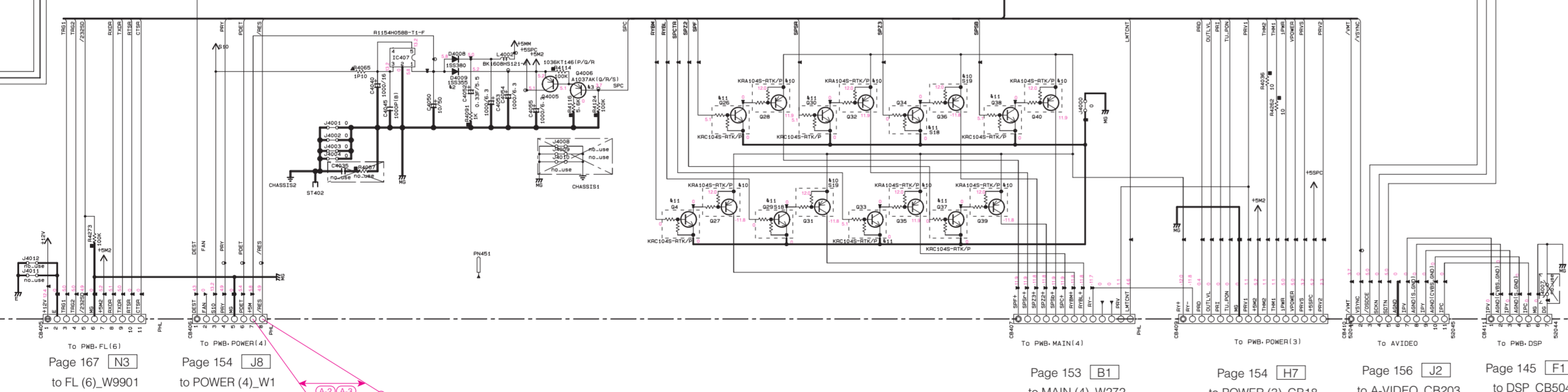
Table with 2 columns: RESISTOR and CAPACITOR. Lists part numbers, values, and manufacturer information.

Page 168 [E7] to FL (2)_CB958 Page 168 [G7] to FL (2)_CB982 Page 168 [H7] to FL (2)_CB989

Large table with multiple columns (Destination Part List, U, C, etc.) listing various components and their specifications.

Page 168 [M6] to FL (5)_CB960 Page 168 [L6] to FL (5)_CB972 Page 168 [N8] to FL (3)_CB955 Page 168 [M8] to FL (3)_CB952

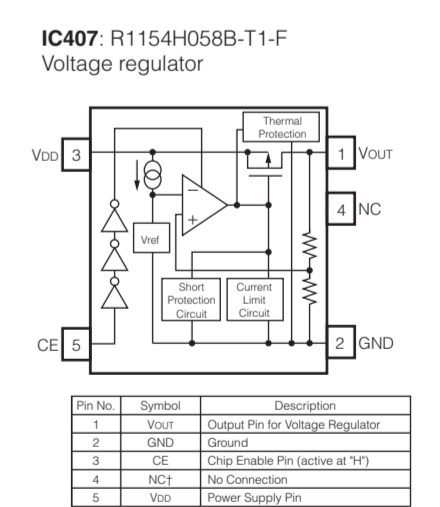
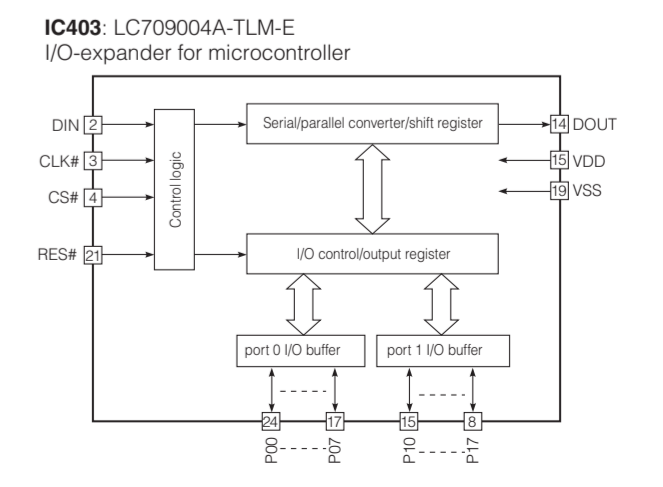
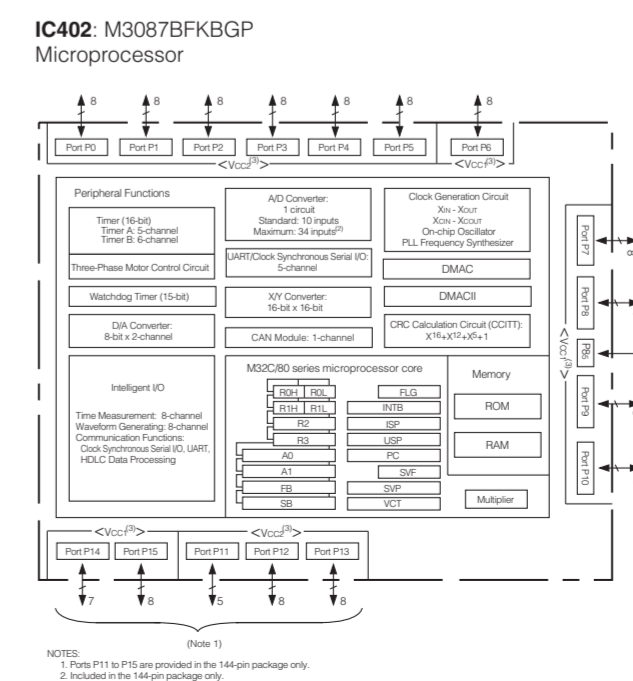
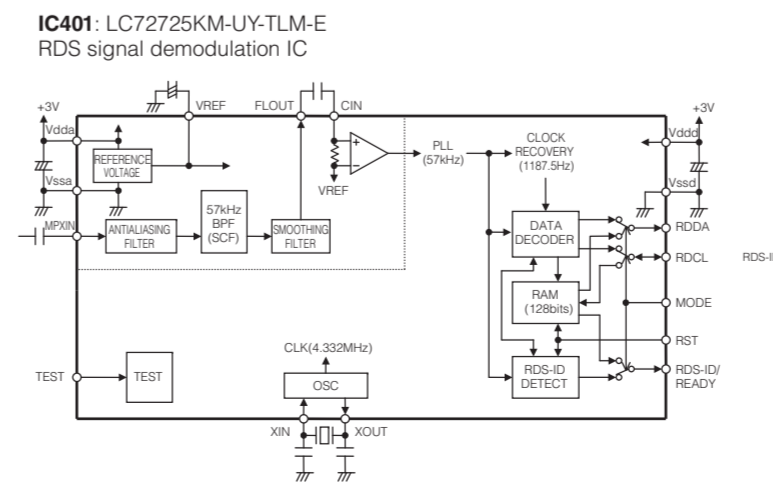
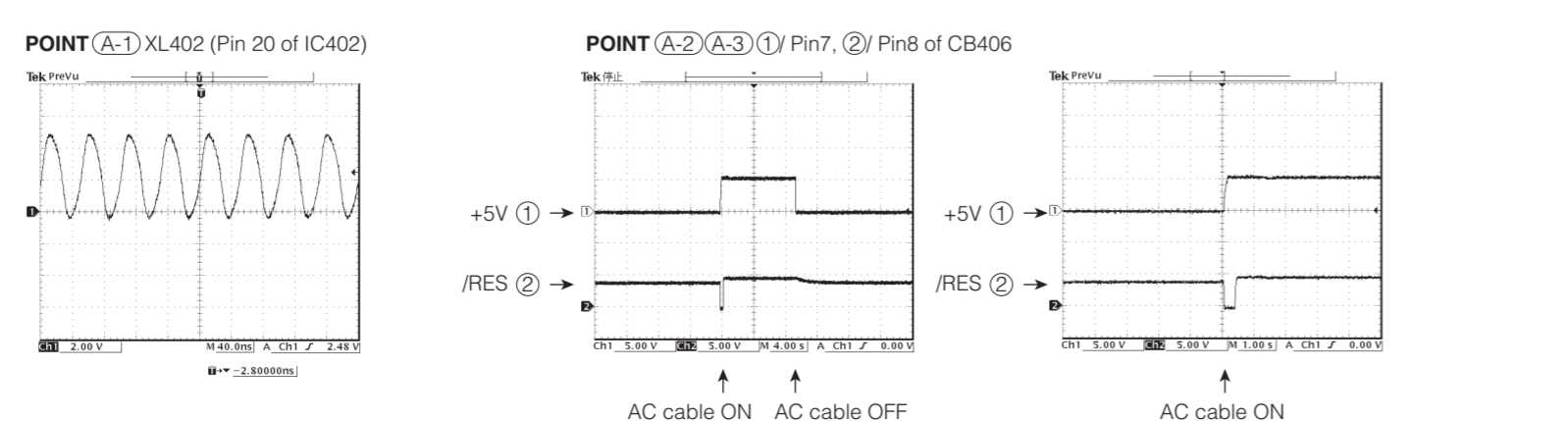
RX-V3900 FUNC (1) FUNCTION (1)



Page 167 [N3] to FL (6)_W9901 Page 154 [J8] to POWER (4)_W1 Page 153 [B1] to MAIN (4)_W22 Page 154 [H7] to POWER (3)_CB18 Page 156 [J2] to A-VIDEO_CB203 Page 145 [F1] to DSP_CB504

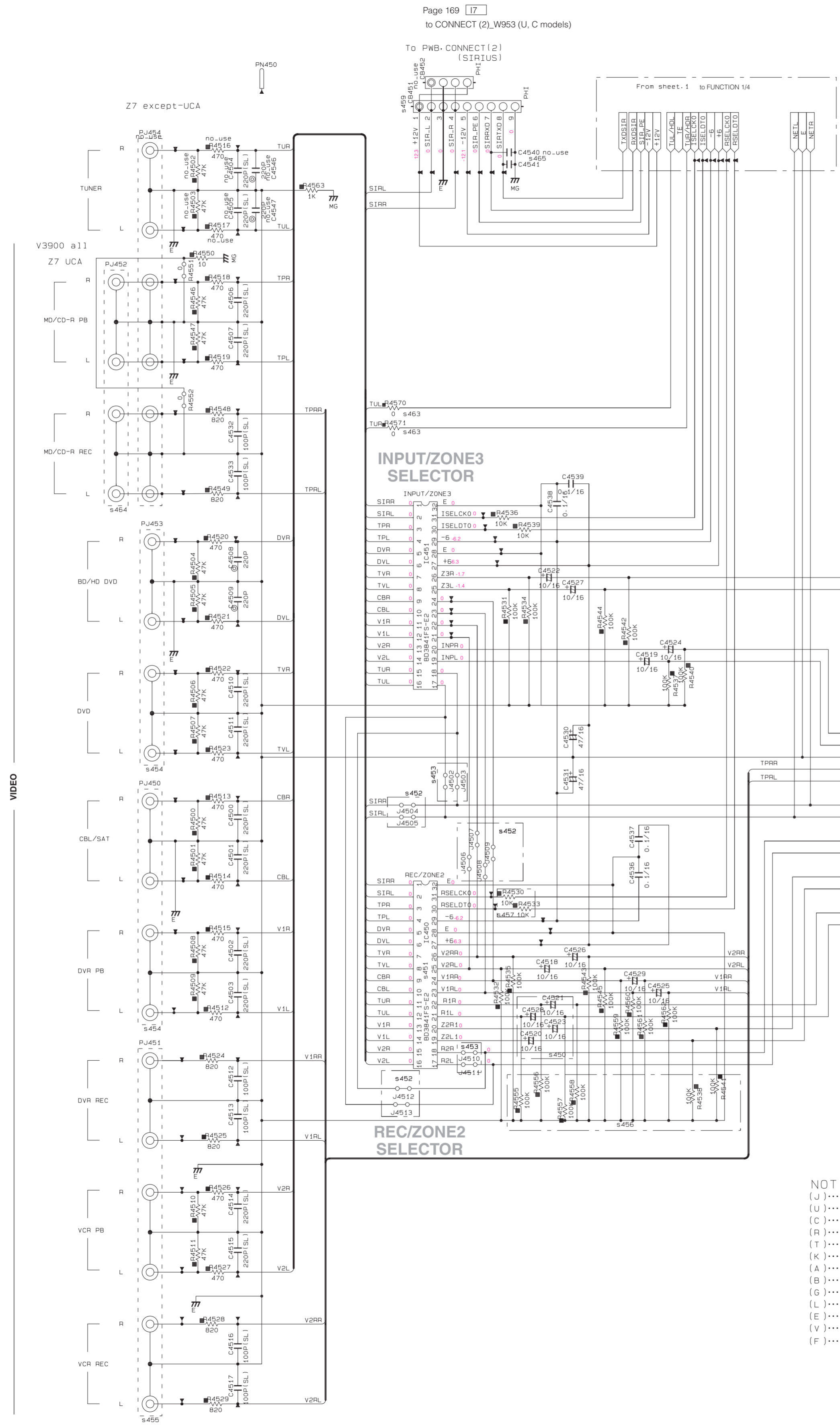
All voltages are measured with a 10MΩ/D.C. electronic voltmeter. Components having special characteristics are marked with a triangle and must be replaced with parts having specifications equal to those originally installed.

電圧は、内部抵抗10MΩの電圧計で測定したものです。部品印のある部品は、安全性確保部品を示しています。部品の交換が必要な場合、パーツリストに記載されている部品を使用してください。本回路図は標準回路図です。改良のため予告なく変更することがございます。



FUNCTION 2/4

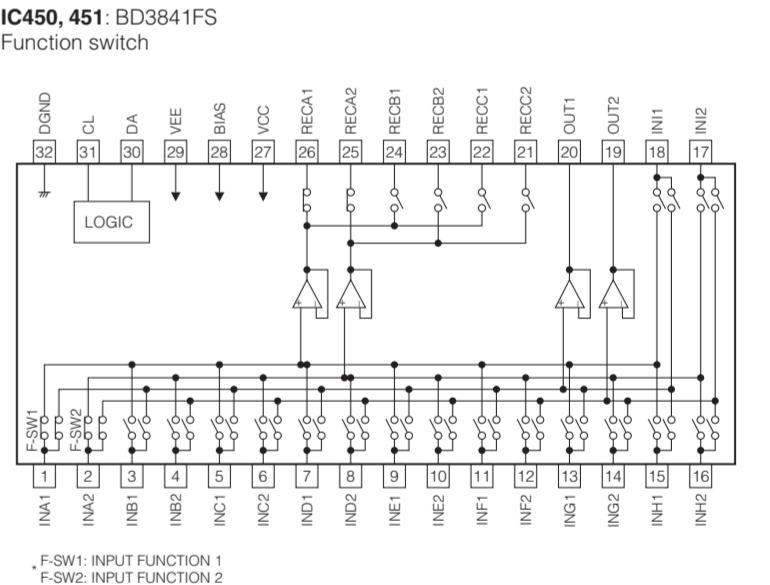
Page 169 [17] to CONNECT (2)_W953 (U, C models)



Destination Part List (V3900_Sht-2)

sXX	LOC	J	U	C	RTKL	A	BGE
s450	C4523 C4524 C4520 C4528	X	UR23710 10/16	UR23710 10/16	UR23710 10/16	UR23710 10/16	UR23710 10/16
s451	IC450	X	X354740 BD3841FS-E2	X354740 BD3841FS-E2	X354740 BD3841FS-E2	X354740 BD3841FS-E2	X354740 BD3841FS-E2
s452	J4513 J4512 J4508 J4504 J4505 J4507 J4508 J4509		RD35000 0	X	X	X	X
s453	J4511 J4503 J4502	X	RD35000 0	RD35000 0	RD35000 0	RD35000 0	RD35000 0
s454	PJ450 PJ453		RU-1073-09-0551 RU-1073-09-0H51	VV30690 VV30690	VV30690 VV30690	VV30690 VV30690	VV30690 VV30690
s455	PJ451		VV63480 RU-1074-09-0553	VV32540 RU-1074-09-0H53	VV32540 RU-1074-09-0H53	VV32540 RU-1074-09-0H53	VV32540 RU-1074-09-0H53
s456	R4541 R4538 R4555 R4558 R4556 R4557	X	RD35810 100K	RD35810 100K	RD35810 100K	RD35810 100K	RD35810 100K
s457	R4533 R4530	X	RD35710 10K	RD35710 10K	RD35710 10K	RD35710 10K	RD35710 10K
s458	PJ454	X	X	X	X	X	X
s459	CB451	X	PHI VB39050	PHI VB39050	X	X	X
s460	R4502 R4503	X	X	X	X	X	X
s461	R4517 R4516	X	X	X	X	X	X
s462	C4505 C4504	X	X	X	X	X	X
s463	R4570 R4571		RD35000 0	RD35000 0	RD35000 0	RD35000 0	RD35000 0
s464	PJ452		VV55150 RU-1073-09-0551	VV30690 RU-1073-09-0H51	VV30690 RU-1073-09-0H51	VV30690 RU-1073-09-0H51	VV30690 RU-1073-09-0H51
s465	C4541	X	US06202 220P(SL)	US06202 220P(SL)	X	X	X

Page 168 [M3] to FL (4)_CB965



FUNCTION (1)

NOTICE [model]

(J)..... JAPAN
 (U)..... U.S. A
 (C)..... CANADA
 (R)..... GENERAL
 (T)..... CHINA
 (K)..... KOREA
 (A)..... AUSTRALIA
 (B)..... BRITISH
 (G)..... EUROPE
 (L)..... SINGAPORE
 (E)..... SOUTH EUROPE
 (V)..... TAIWAN
 (F)..... RUSSIAN

RESISTOR

REMARKS	PARTS NAME
NO MARK	CARBON FILM RESISTOR (P=5)
☒	CARBON FILM RESISTOR (P=10)
△	METAL OXIDE FILM RESISTOR
▲	METAL FILM RESISTOR
⊠	METAL PLATE RESISTOR
⊞	FIRE PROOF CARBON FILM RESISTOR
□	CEMENT MOLDED RESISTOR
⊙	SEMI VARIABLE RESISTOR
■	CHIP RESISTOR

CAPACITOR

REMARKS	PARTS NAME
NO MARK	ELECTROLYTIC CAPACITOR
⊗	TANTALUM CAPACITOR
NO MARK	CERAMIC CAPACITOR
●	CERAMIC TUBULAR CAPACITOR
⊙	POLYESTER FILM CAPACITOR
○	POLYSTYRENE FILM CAPACITOR
⊖	MICA CAPACITOR
⊕	POLYPROPYLENE FILM CAPACITOR
⊗	SEMICONDUCTIVE CERAMIC CAPACITOR
⊙	POLYPHENYLENE SULFIDE FILM CAPACITOR

RX-V3900

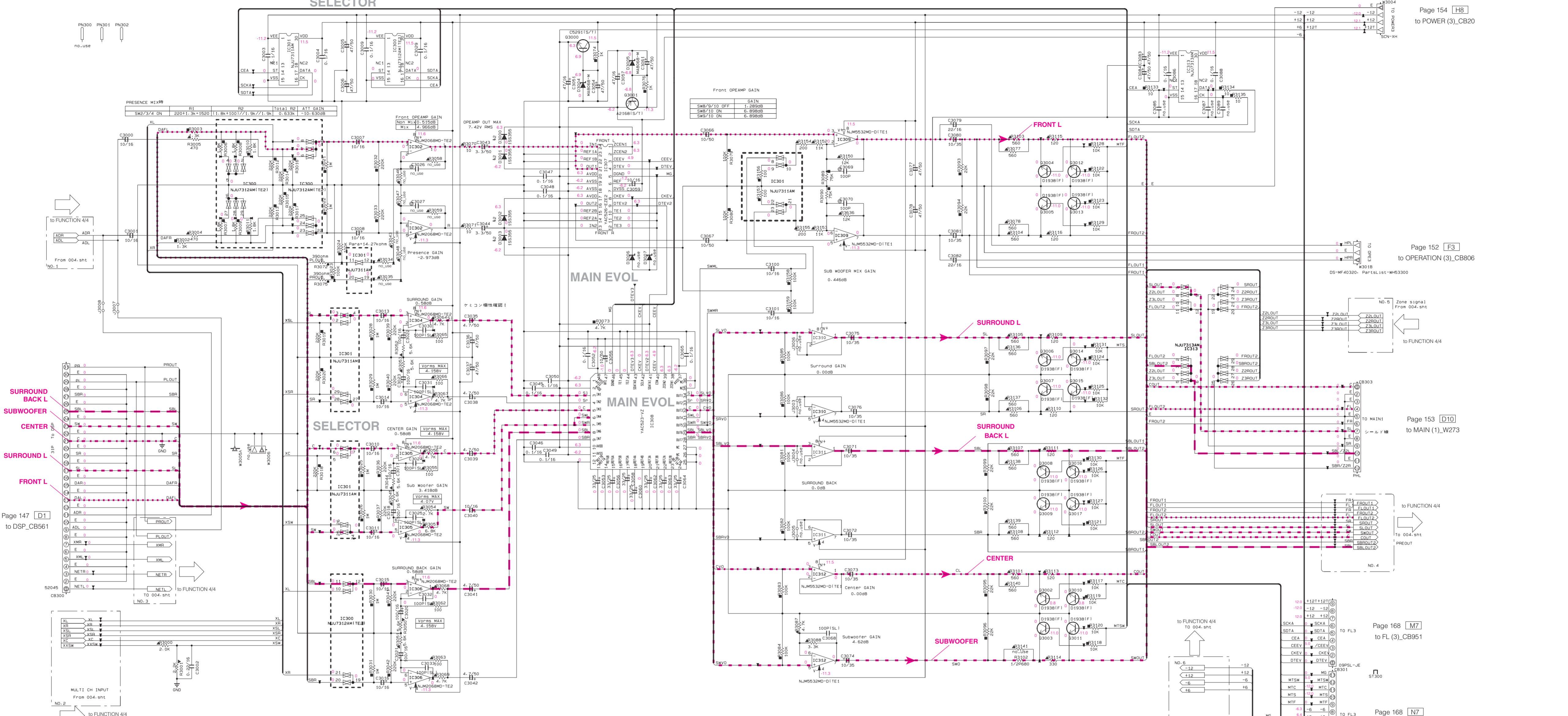
FUNC(1)

★ All voltages are measured with a 10MΩ/V DC electronic voltmeter.
 ★ Components having special characteristics are marked with a triangle and must be replaced with parts having specifications equal to those originally installed.
 ★ Schematic diagram is subject to change without notice.

● 電圧は、内部抵抗10MΩの電圧計で測定したものです。
 ● 印のある部品は、安全性確保部品を示しています。部品の交換が必要な場合、パーツリストに記載されている部品を使用してください。
 ● 本回路図は標準回路図です。改良のため予告なく変更することがございます。

FUNCTION 3/4

SELECTOR



Page 154 [H8] to POWER (3)_CB20

Page 152 [F3] to OPERATION (3)_CB806

Page 153 [D10] to MAIN (1)_W273

Page 168 [M7] to FL (3)_CB951

Page 168 [N7] to FL (3)_CB956

SURROUND BACK L
SUBWOOFER
CENTER
SURROUND L
FRONT L

Page 147 [D1] to DSP_CB561

52045 CB300

NO. 2

RESISTOR

REMARKS	PARTS NAME
NO MARK	CARBON FILM RESISTOR (P=5)
△	CARBON FILM RESISTOR (P=10)
□	METAL OXIDE FILM RESISTOR
△	METAL FILM RESISTOR
□	METAL PLATE RESISTOR
□	FINE PROOF CARBON FILM RESISTOR
□	CEMENT MOLDED RESISTOR
□	SEMI VARIABLE RESISTOR
■	CHIP RESISTOR

CAPACITOR

REMARKS	PARTS NAME
NO MARK	ELECTROLYTIC CAPACITOR
⊗	TANTALUM CAPACITOR
NO MARK	CERAMIC CAPACITOR
⊙	CERAMIC TUBULAR CAPACITOR
○	POLYESTER FILM CAPACITOR
○	POLYSTYRENE FILM CAPACITOR
⊖	MICA CAPACITOR
⊖	POLYPROPYLENE FILM CAPACITOR
⊖	SEMICONDUCTIVE CERAMIC CAPACITOR
⊖	POLYPHENYLENE SULFIDE FILM CAPACITOR

NOTICE (model)

(J)..... JAPAN
(U)..... U.S.A.
(C)..... CANADA
(R)..... GENERAL
(T)..... CHINA
(K)..... KOREA
(A)..... AUSTRALIA
(B)..... BRITISH
(G)..... EUROPE
(L)..... SINGAPORE
(E)..... SOUTH EUROPE
(V)..... TAIWAN
(F)..... RUSSIAN

RX-V3900 FUNC (2)

設計値 TOTAL 14dB

	FRONT	CENTER	SURROUND	SURROUND BACK	SURROUND BACK L	SURROUND BACK R	SUB WOOFER	ZONE 2 & ZONE 3
0.0	0.0	0.0	0.0	0.0	0.0	0.0	0.0	0.0
12.5	12.5	12.5	12.5	12.5	12.5	12.5	12.5	12.5
14.0	14.0	14.0	14.0	14.0	14.0	14.0	14.0	14.0

定数計算書

	FRONT	CENTER	SURROUND	SURROUND BACK	SURROUND BACK L	SURROUND BACK R	SUB WOOFER	ZONE 2 & ZONE 3
0.515	0.515	0.515	0.515	0.515	0.515	0.515	0.515	0.515
1.289	1.289	1.289	1.289	1.289	1.289	1.289	1.289	1.289
14.304	14.304	14.304	14.304	14.304	14.304	14.304	14.304	14.304

W100 定数計算書

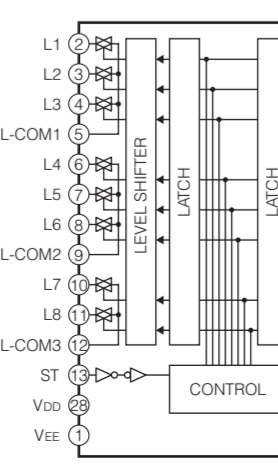
	P MIX FRONT	P MIX PRESENCE	SUB WOOFER MIX
4.5	4.5	4.5	4.5
3.6	3.6	3.6	3.6
2.979	2.979	2.979	2.979

④ +0.5dB 自然音響のための

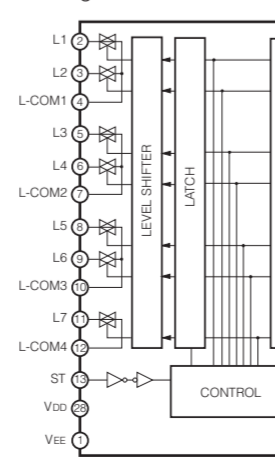
★ All voltages are measured with a 10MΩ/DC electronic voltmeter.
★ Components having special characteristics are marked 1, and must be replaced with parts having specifications equal to those originally installed.
★ Schematic diagram is subject to change without notice.

●電圧は、内部抵抗10MΩの電圧計で測定したものです。
●1印のある部品は、安全性確保部品を示しています。部品の交換が必要な場合、パーツリストに記載されている部品を使用してください。
●本回路図は標準回路図です。改良のため予告なく変更することがございます。

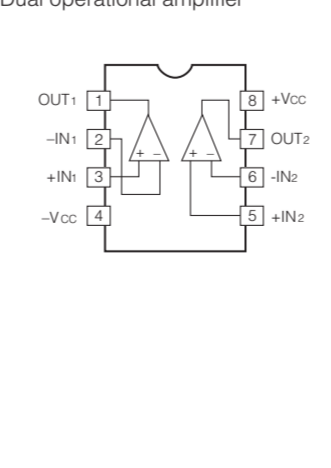
IC300: NJU7312AM Analog function switch



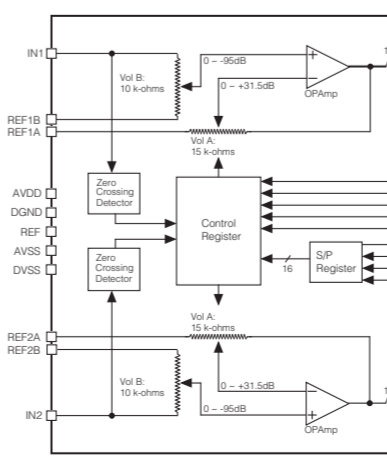
IC301: NJU7311AM Analog function switch



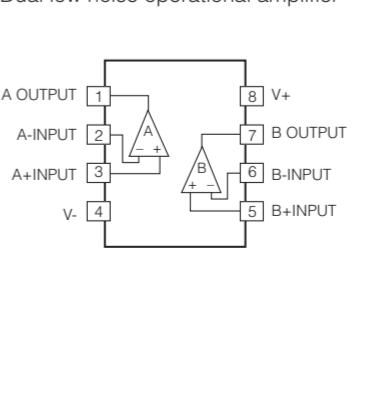
IC302, 304-306: NJM2068MD-TE2 Dual operational amplifier



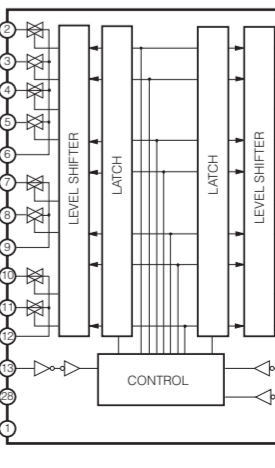
IC307: YAC526-EZE2 2-channel high grade digital volume LSI



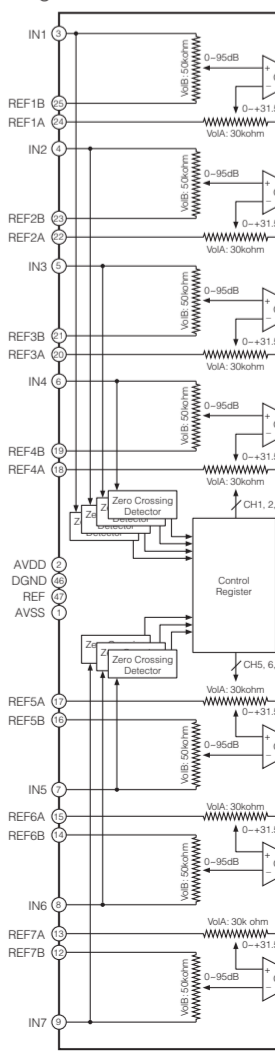
IC309-312: NJM532M-D Dual low noise operational amplifier



IC313: NJU7313AM Analog function switch

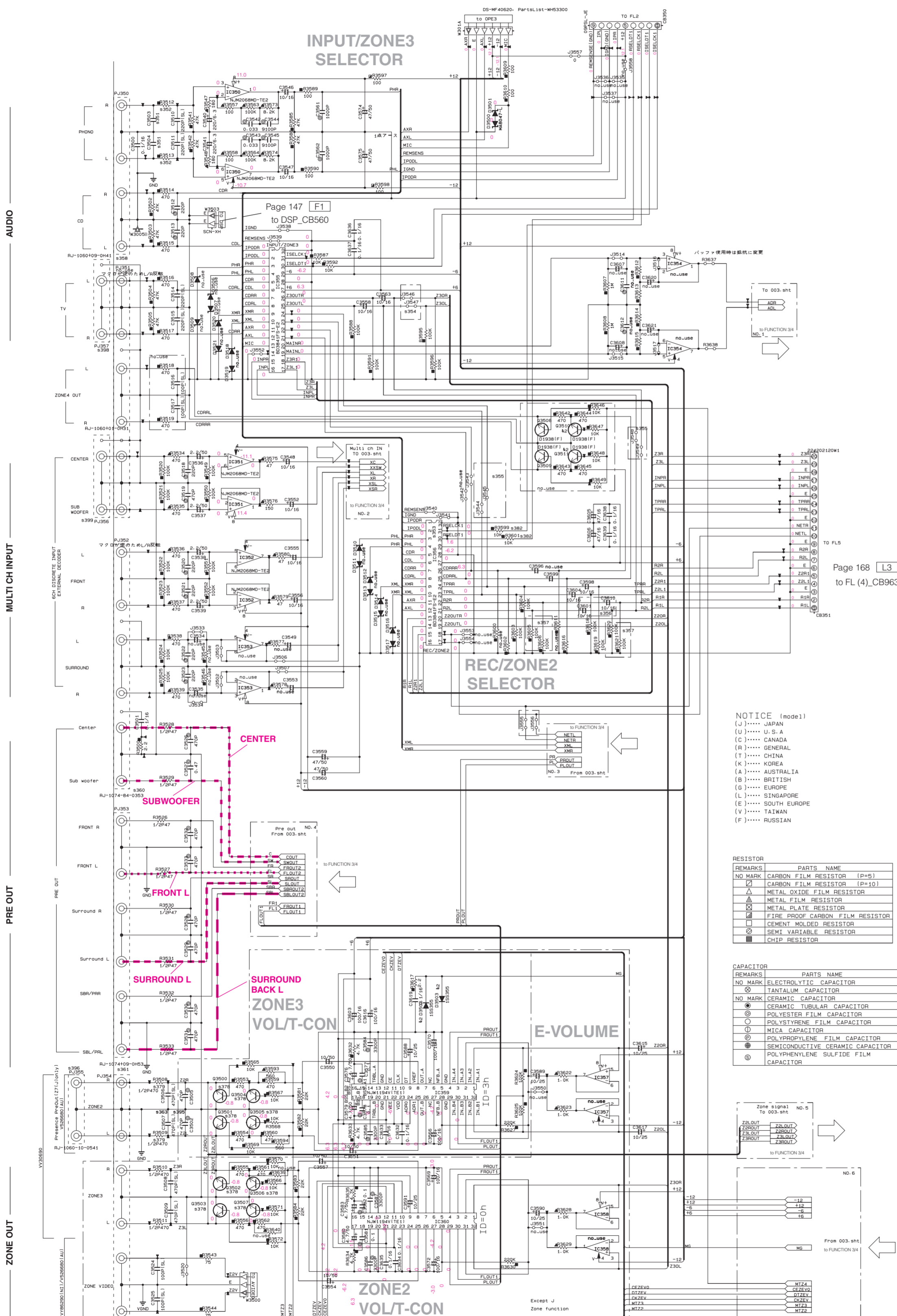


IC308: YAC523-EVR2 Digital volume



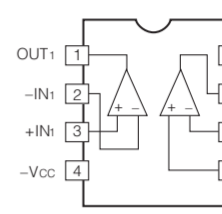
FUNCTION 4/4

Page 152 [F3] to OPERATION (3)_CB906
Page 168 [L7] to FL (2)_CB967

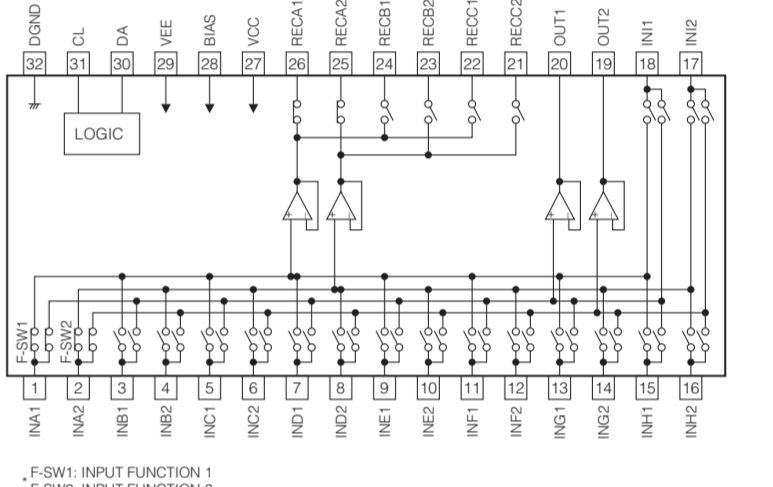


Part No.	LOC	U	C	RTL	A	BSC
9361	C303	X	X	X	U08022	U08022
9362	B012	RC03447	RC03447	RC03447	RC03622	RC03622
9363	IC356	X	X	X	U08022	U08022
9364	J354	X	X	X	RC03000	RC03000
9365	J354	X	X	X	RC03000	RC03000
9366	C303	X	X	X	U08022	U08022
9367	B012	X	X	X	RC03622	RC03622
9368	PJ350	V57430	V57430	V57430	V57430	V57430
9369	PJ350	V57430	V57430	V57430	V57430	V57430
9370	PJ350	V57430	V57430	V57430	V57430	V57430
9371	PJ350	V57430	V57430	V57430	V57430	V57430
9372	PJ350	V57430	V57430	V57430	V57430	V57430
9373	PJ350	V57430	V57430	V57430	V57430	V57430
9374	PJ350	V57430	V57430	V57430	V57430	V57430
9375	PJ350	V57430	V57430	V57430	V57430	V57430
9376	PJ350	V57430	V57430	V57430	V57430	V57430
9377	PJ350	V57430	V57430	V57430	V57430	V57430
9378	PJ350	V57430	V57430	V57430	V57430	V57430
9379	PJ350	V57430	V57430	V57430	V57430	V57430
9380	PJ350	V57430	V57430	V57430	V57430	V57430
9381	PJ350	V57430	V57430	V57430	V57430	V57430
9382	PJ350	V57430	V57430	V57430	V57430	V57430
9383	PJ350	V57430	V57430	V57430	V57430	V57430
9384	PJ350	V57430	V57430	V57430	V57430	V57430
9385	PJ350	V57430	V57430	V57430	V57430	V57430
9386	PJ350	V57430	V57430	V57430	V57430	V57430
9387	PJ350	V57430	V57430	V57430	V57430	V57430
9388	PJ350	V57430	V57430	V57430	V57430	V57430
9389	PJ350	V57430	V57430	V57430	V57430	V57430
9390	PJ350	V57430	V57430	V57430	V57430	V57430
9391	PJ350	V57430	V57430	V57430	V57430	V57430
9392	PJ350	V57430	V57430	V57430	V57430	V57430
9393	PJ350	V57430	V57430	V57430	V57430	V57430
9394	PJ350	V57430	V57430	V57430	V57430	V57430
9395	PJ350	V57430	V57430	V57430	V57430	V57430
9396	PJ350	V57430	V57430	V57430	V57430	V57430
9397	PJ350	V57430	V57430	V57430	V57430	V57430
9398	PJ350	V57430	V57430	V57430	V57430	V57430
9399	PJ350	V57430	V57430	V57430	V57430	V57430
9400	PJ350	V57430	V57430	V57430	V57430	V57430

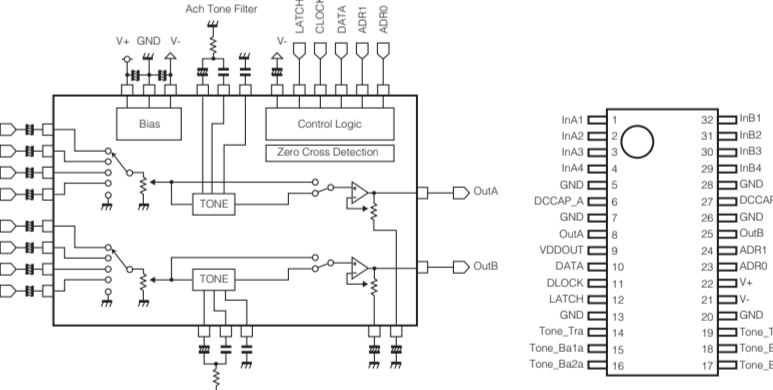
IC350-352: NJM2068MD-TE2
Dual operational amplifier



IC355, 356: BD3841FS
Function switch



IC359, 360: NJW1194V
2-channel electronic volume input selector and tone control



NOTICE (model)
(J)..... JAPAN
(U)..... U.S.A.
(C)..... CANADA
(G)..... GENERAL
(T)..... CHINA
(K)..... KOREA
(A)..... AUSTRALIA
(B)..... BRITISH
(L)..... EUROPE
(S)..... SINGAPORE
(E)..... SOUTH EUROPE
(V)..... TAIWAN
(P)..... RUSSIAN

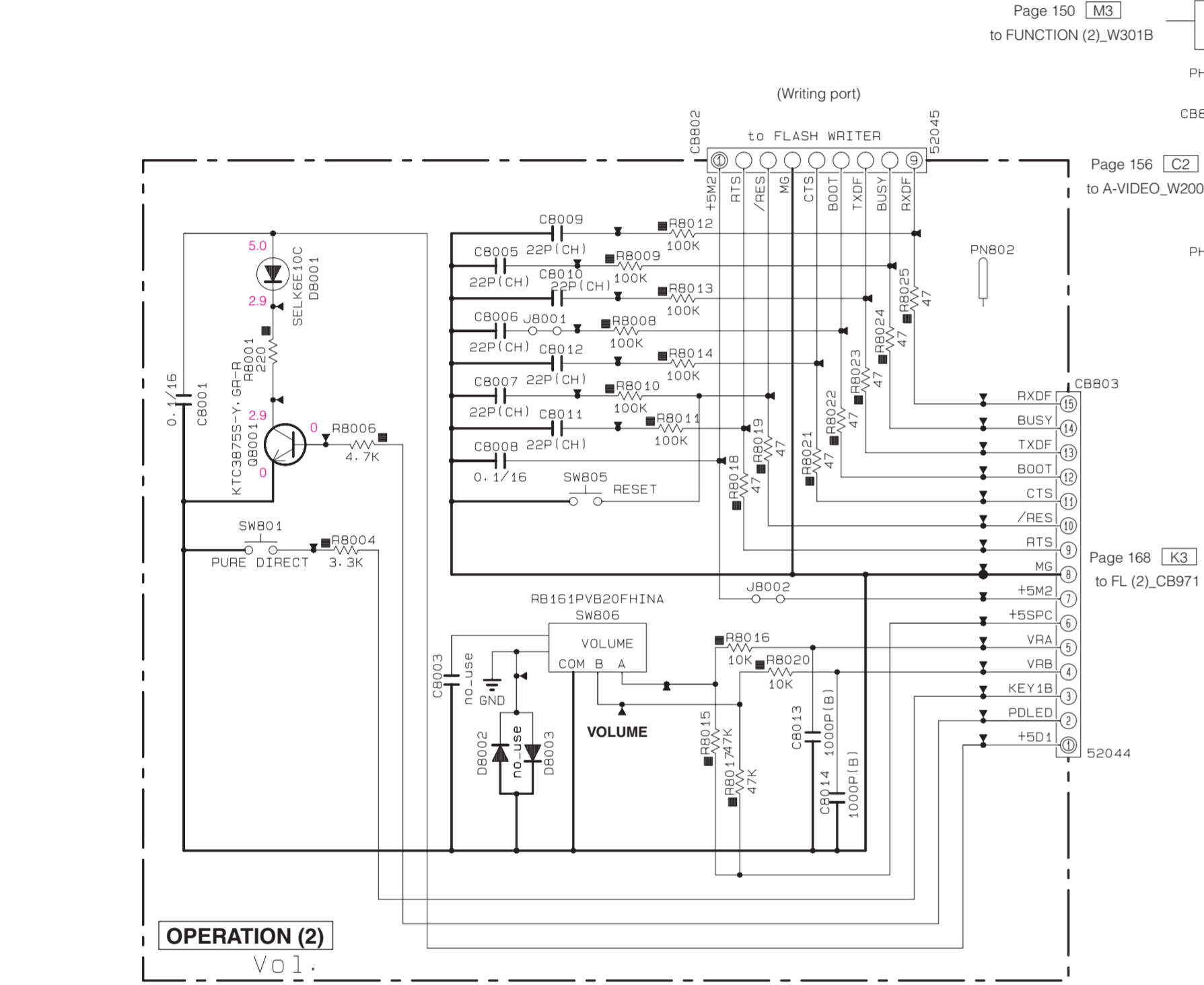
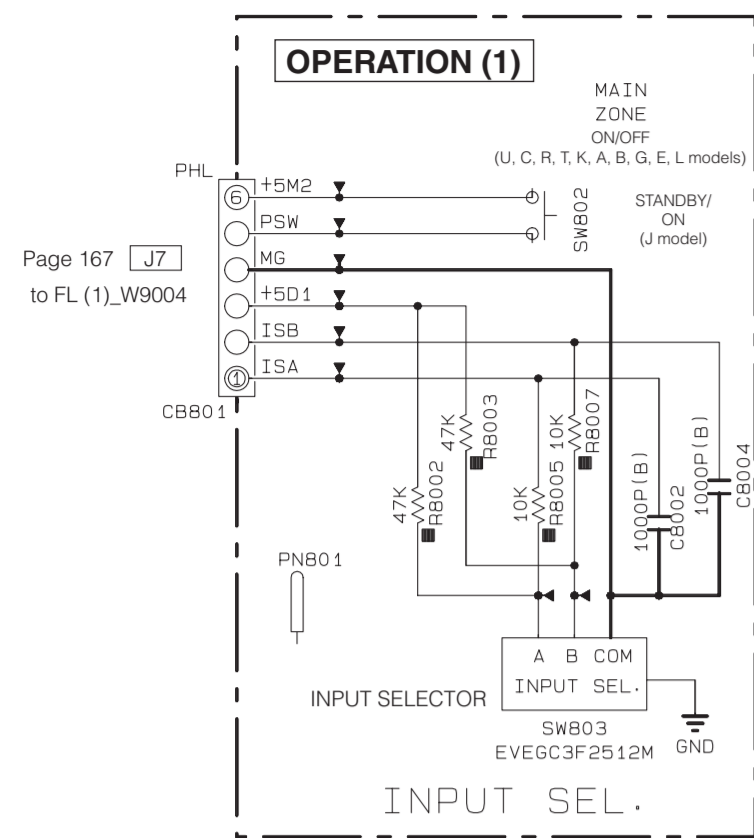
REMARKS	PARTS NAME
NO MARK	CARBON FILM RESISTOR (P=5)
△	CARBON FILM RESISTOR (P=10)
□	METAL OXIDE FILM RESISTOR
◇	METAL FILM RESISTOR
○	METAL PLATE RESISTOR
■	FIRE PROOF CARBON FILM RESISTOR
▨	CEMENT MOLDED RESISTOR
⊕	SEMI VARIABLE RESISTOR
⊖	CHIP RESISTOR

REMARKS	PARTS NAME
NO MARK	ELECTROLYTIC CAPACITOR
⊕	TANTALUM CAPACITOR
NO MARK	CERAMIC CAPACITOR
⊕	CERAMIC TUBULAR CAPACITOR
⊖	POLYESTER FILM CAPACITOR
○	POLYETHYLENE FILM CAPACITOR
⊕	MICA CAPACITOR
⊖	POLYPROPYLENE FILM CAPACITOR
⊕	SEMICONDUCTIVE CERAMIC CAPACITOR
⊖	POLYPHENYLENE SULFIDE FILM CAPACITOR

* All voltages are measured with a 10MΩ/DC electronic voltmeter.
* Components having special characteristics are marked !, and must be replaced with parts having specifications equal to those originally installed.
* Schematic diagram is subject to change without notice.

●電圧は、内部抵抗10MΩの電圧計で測定したものです。
● !印のある部品は、安全性確保部品を示しています。部品の交換が必要な場合、パーツリストに記載されている部品を使用してください。
●本回路図は標準回路図です。改良のため予告なく変更することがございます。

OPERATION



Interchangeable Parts at Manufacture-Stage

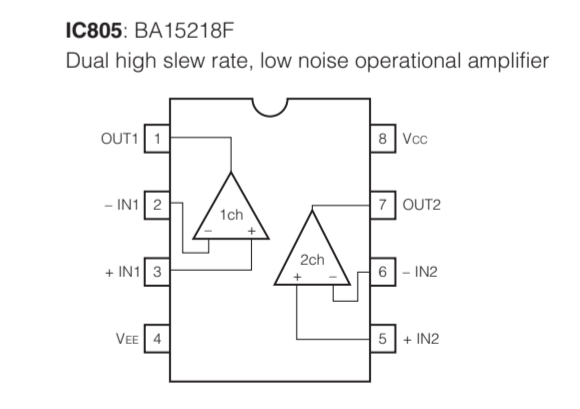
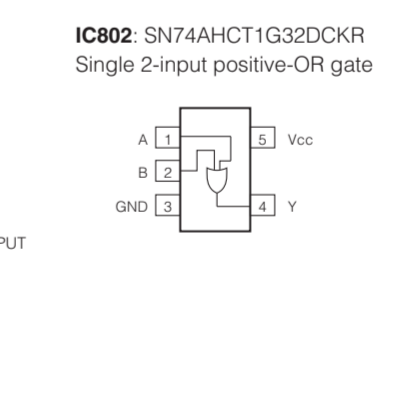
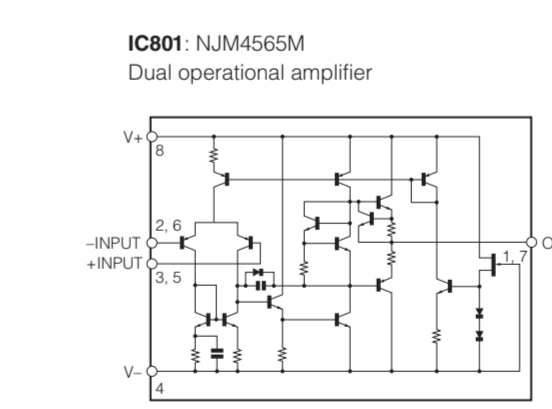
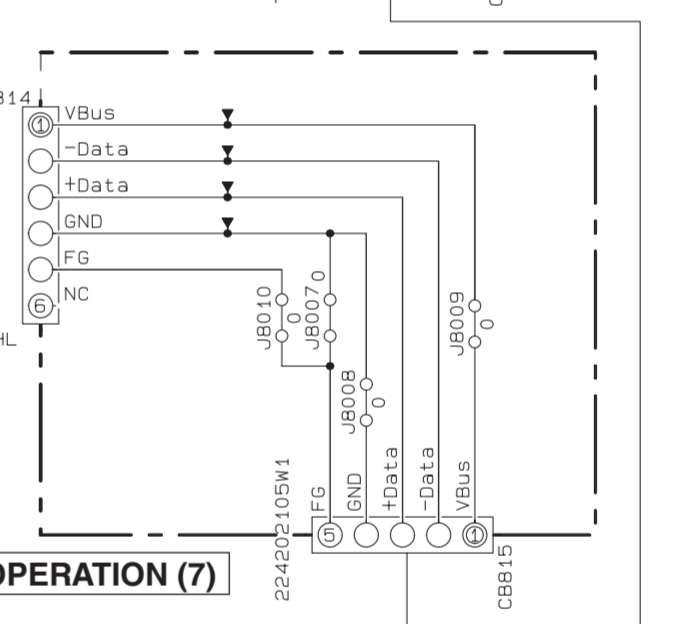
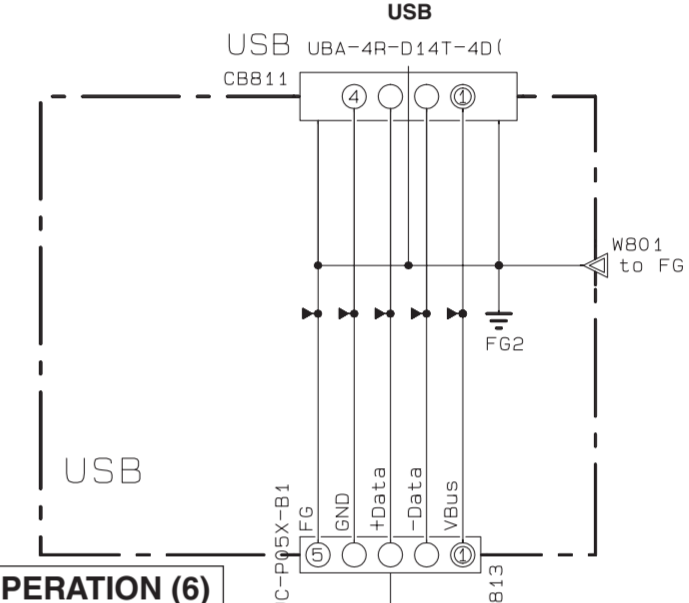
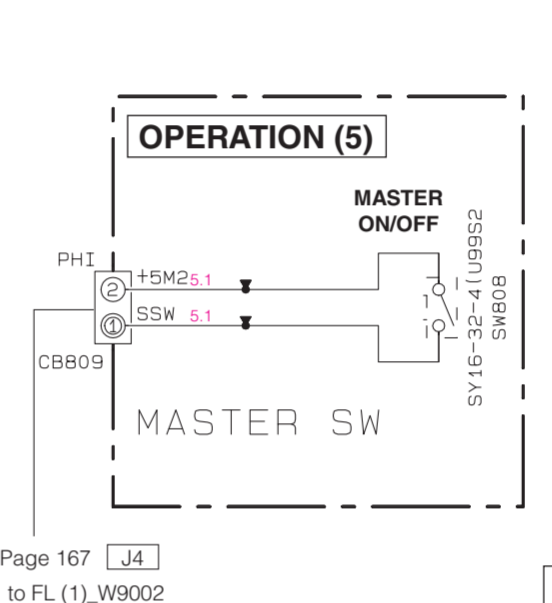
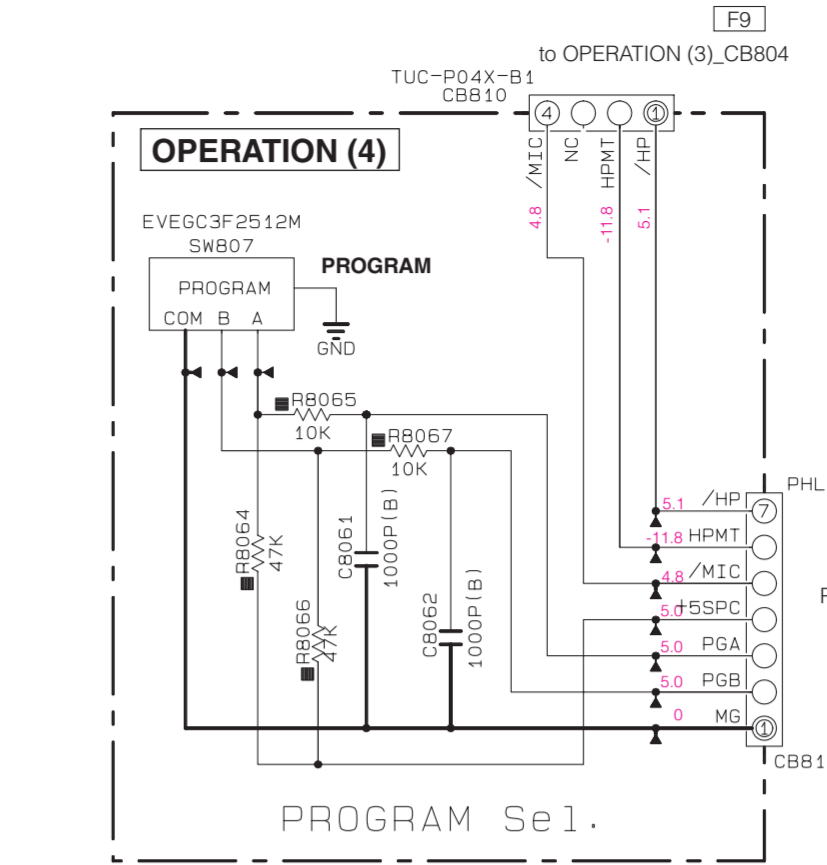
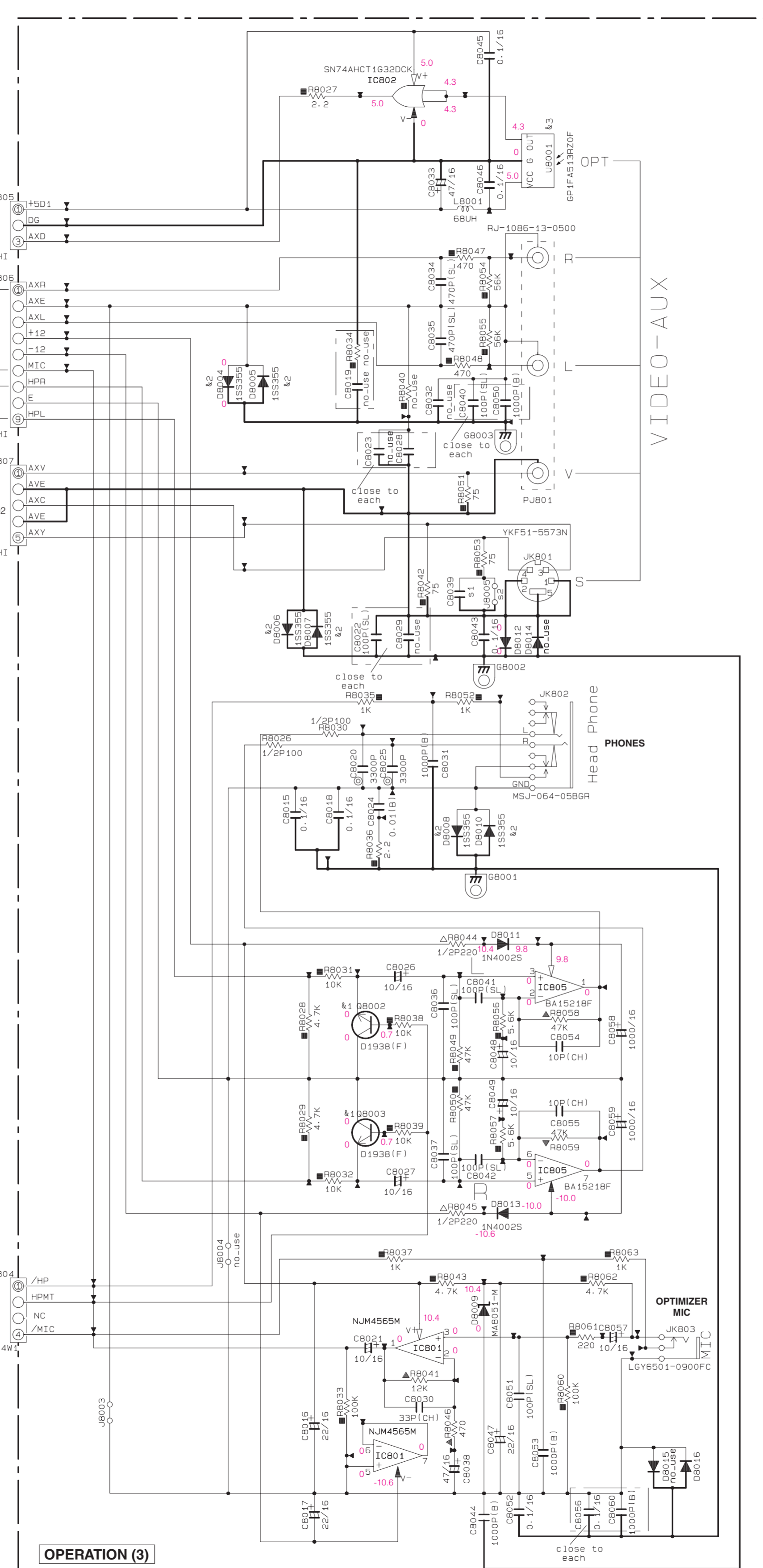
Mark	Reference Parts Number	Parts Name
&1	DB002-8003	2SD1938(F) 2SC3326(A/B) 2SC5938A(A/B) 2SD2704K
&2	DB004-8008-8010	1SS355 MA111 KDS160-RTK/P
&3	UB001	GP1FA513R20F GP1FA513RZ

Destination Part List			
sXX	LOC	J	UCRTKABGEL
s1	CB039	US13510	X
s2	JB005	X	RD35000

* All voltages are measured with a 10MQ/V DC electronic voltmeter.
 * Components having special characteristics are marked with a triangle and must be replaced with parts having specifications equal to those originally installed.
 * Schematic diagram is subject to change without notice.

NOTICE (model)
 (J)..... JAPAN
 (U)..... U.S.A
 (C)..... CANADA
 (R)..... GENERAL
 (T)..... CHINA
 (K)..... KOREA
 (A)..... AUSTRALIA
 (B)..... BRITISH
 (G)..... EUROPE
 (L)..... SINGAPORE
 (E)..... SOUTH EUROPE
 (V)..... TAIWAN

●電圧は、内部抵抗10MQの電圧計で測定したものです。
 ●△印のある部品は、安全性確保部品を示しています。部品の交換が必要な場合、パーツリストに記載されている部品を使用してください。
 ●本回路図は標準回路図です。改良のため予告なく変更することがございます。



RESISTOR

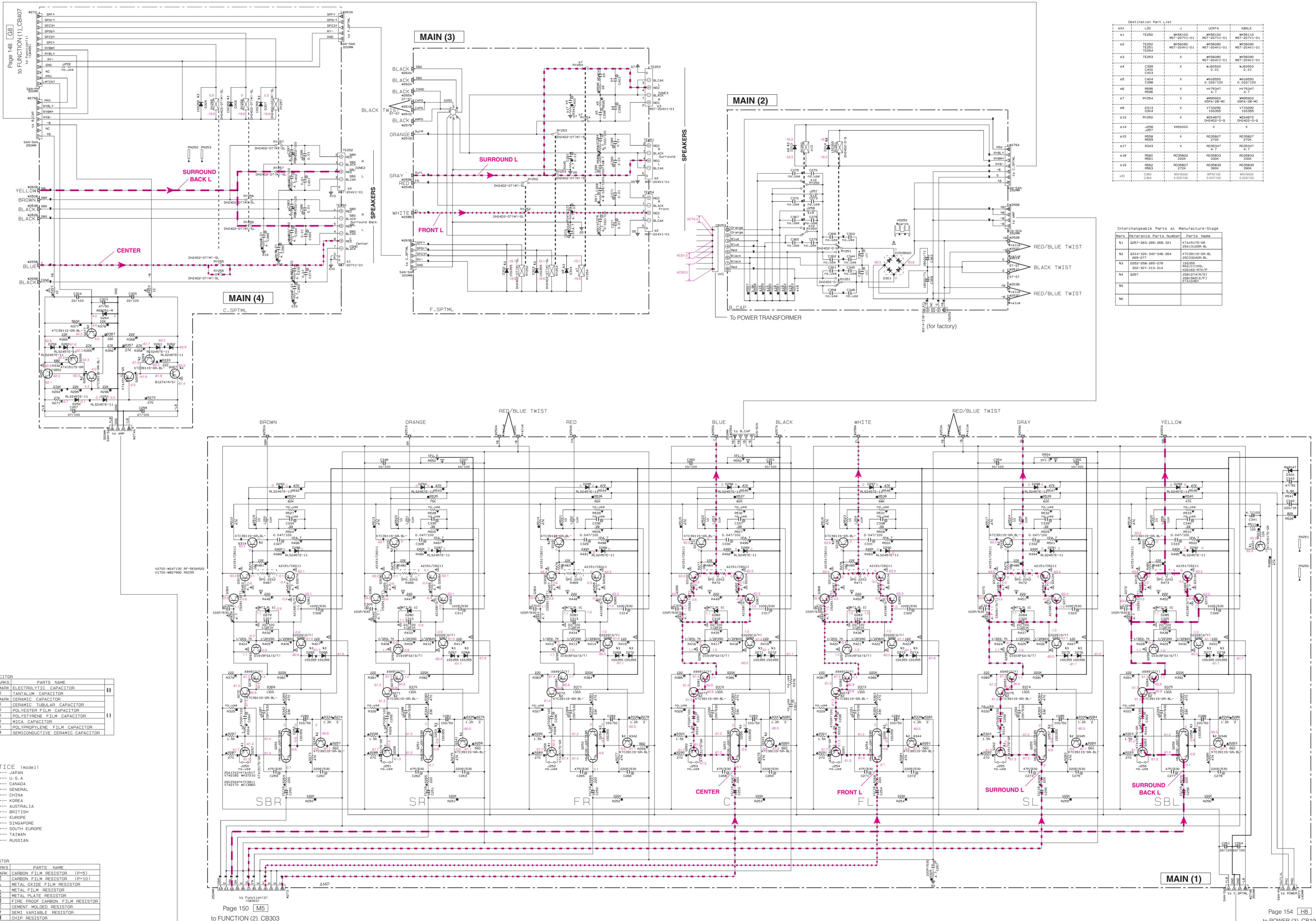
REMARKS	PARTS NAME
NO MARK	CARBON FILM RESISTOR (P=5)
□	CARBON FILM RESISTOR (P=10)
△	METAL OXIDE FILM RESISTOR
▲	METAL FILM RESISTOR
⊠	METAL PLATE RESISTOR
■	FIRE PROOF CARBON FILM RESISTOR
□	CEMENT MOLDED RESISTOR
⊞	SEMI VARIABLE RESISTOR
⊞	CHIP RESISTOR

CAPACITOR

REMARKS	PARTS NAME
NO MARK	ELECTROLYTIC CAPACITOR
⊗	TANTALUM CAPACITOR
NO MARK	CERAMIC CAPACITOR
●	CERAMIC TUBULAR CAPACITOR
○	POLYESTER FILM CAPACITOR
○	POLYSTYRENE FILM CAPACITOR
○	MICA CAPACITOR
○	POLYPROPYLENE FILM CAPACITOR
⊞	SEMICONDUCTIVE CERAMIC CAPACITOR

IMPLEMENTATION:
 INPUT SELECTOR
 VOLUME
 VIDEO-AUX
 HEAD PHONE AMP
 MIC AMP
 PROGRAM SELECTOR
 MASTER SWITCH
 USB CONNECTOR

MAIN



Destination Part List

QTY	LOC	J	UQTA	Q8BLE
81	TE950	W56100	W56100	W56110
82	TE950	W56080	W56080	W56090
83	TE950	W56080	W56080	W56090
84	C499	W40550	W40550	W40550
85	C499	W40550	W40550	W40550
86	RY254	HV75347	HV75347	HV75347
87	RY254	W56050	W56050	W56050
88	Q313	VT33290	VT33290	VT33290
89	RY250	W54870	W54870	W54870
90	RY250	W54870	W54870	W54870
91	RY250	W54870	W54870	W54870
92	RY250	W54870	W54870	W54870
93	RY250	W54870	W54870	W54870
94	RY250	W54870	W54870	W54870
95	RY250	W54870	W54870	W54870
96	RY250	W54870	W54870	W54870
97	RY250	W54870	W54870	W54870
98	RY250	W54870	W54870	W54870
99	RY250	W54870	W54870	W54870
100	RY250	W54870	W54870	W54870

Interchangeable Parts at Manufacture Stage

Mark	Reference Parts Number	Parts Name
41	0297-263-266-268-261	KT1A15175-GR
42	0214-300-340-346-264	KT39115-GR-BL
43	0297-263-266-268-261	KT1A15175-GR
44	0297-263-266-268-261	KT1A15175-GR
45	0297-263-266-268-261	KT1A15175-GR
46	0297-263-266-268-261	KT1A15175-GR

CAPACITOR

REMARKS	PARTS NAME
ND MARK	ELECTROLYTIC CAPACITOR
ND MARK	TANTALUM CAPACITOR
ND MARK	CERAMIC CAPACITOR
ND MARK	CERAMIC TUBULAR CAPACITOR
ND MARK	POLYESTER FILM CAPACITOR
ND MARK	POLYSTYRENE FILM CAPACITOR
ND MARK	MICA CAPACITOR
ND MARK	POLYPROPYLENE FILM CAPACITOR
ND MARK	SEMICONDUCTIVE CERAMIC CAPACITOR

NOTICE (mode1)

(J)..... JAPAN
 (U)..... U.S.A
 (C)..... CANADA
 (R)..... GENERAL
 (T)..... CHINA
 (K)..... KOREA
 (A)..... AUSTRALIA
 (B)..... BRITISH
 (E)..... EUROPE
 (L)..... SINGAPORE
 (V)..... TAIWAN
 (F)..... RUSSIAN

RESISTOR

REMARKS	PARTS NAME
ND MARK	CARBON FILM RESISTOR (D=6)
ND MARK	CARBON FILM RESISTOR (D=10)
ND MARK	METAL OXIDE FILM RESISTOR
ND MARK	METAL FILM RESISTOR
ND MARK	METAL PLATE RESISTOR
ND MARK	FILM PROOF CARBON FILM RESISTOR
ND MARK	CEMENT MOLDED RESISTOR
ND MARK	SEMI VARIABLE RESISTOR
ND MARK	CHIP RESISTOR

* All voltages are measured with a 10MΩ DC electronic voltmeter.
 * Components having special characteristics are marked with a triangle and must be replaced with parts having specifications equal to those originally installed.
 * Schematic diagram is subject to change without notice.

● 電圧は、内部抵抗10MΩの電圧計で測定したものです。
 ● 印のある部品は、安全性確保部品を示しています。部品の交換が必要な場合、パーツリストに記載されている部品を使用してください。
 ● 本回路図は標準回路図です。改良のため予告なく変更することがございます。

POWER

Destination Part List table with columns for Part No., Loc, J, X, C, R, T, K, A, B, BE, L and various part numbers.

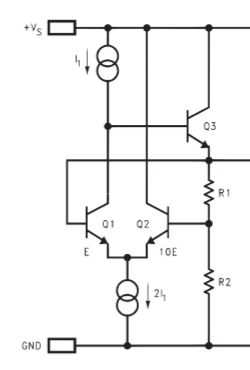
CAPACITOR table with columns for Remarks, Part Name, and symbols for Electrolytic, Tantalum, Ceramic, etc.

RESISTOR table with columns for Remarks, Part Name, and symbols for Carbon Film, Metal Oxide, etc.

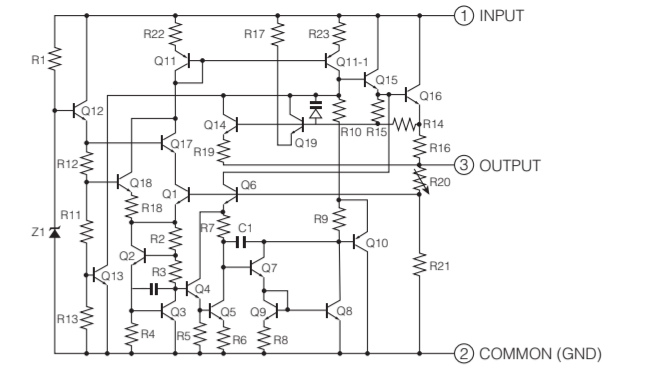
NOTICE (Model) (J)..... JAPAN (U)..... U.S.A (C)..... CANADA (R)..... GENERAL (T)..... CHINA (K)..... KOREA (A)..... AUSTRALIA (B)..... BRITISH (G)..... EUROPE (L)..... SINGAPORE (E)..... SOUTH (V)..... TAIWAN (F)..... RUSSIAN

Interchangeable Parts at Manufacture Stage table with columns for Mark, Reference Parts Number, and Parts Name.

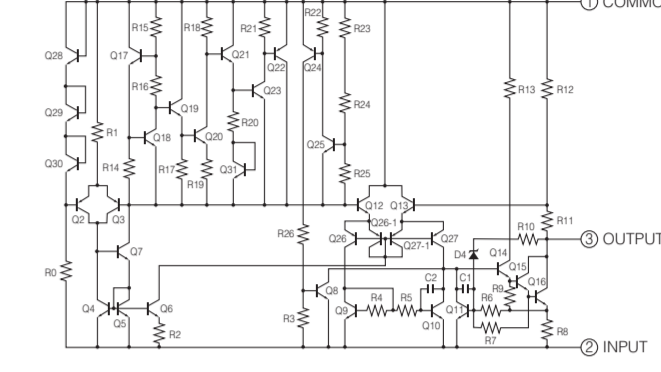
IC13, 14: LM61CIZ Temperature sensor



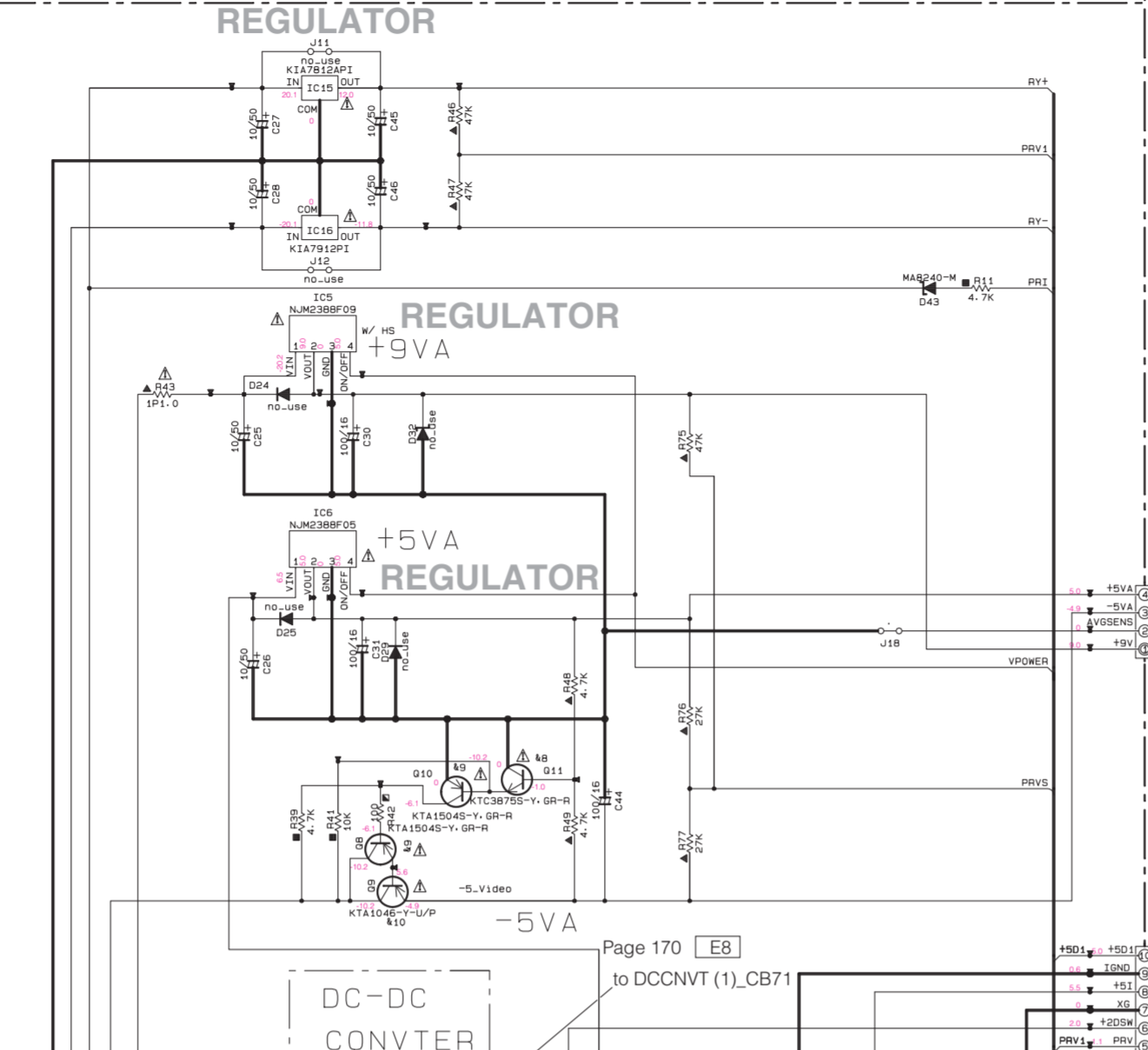
IC15: KIA7812AFI Voltage regulator



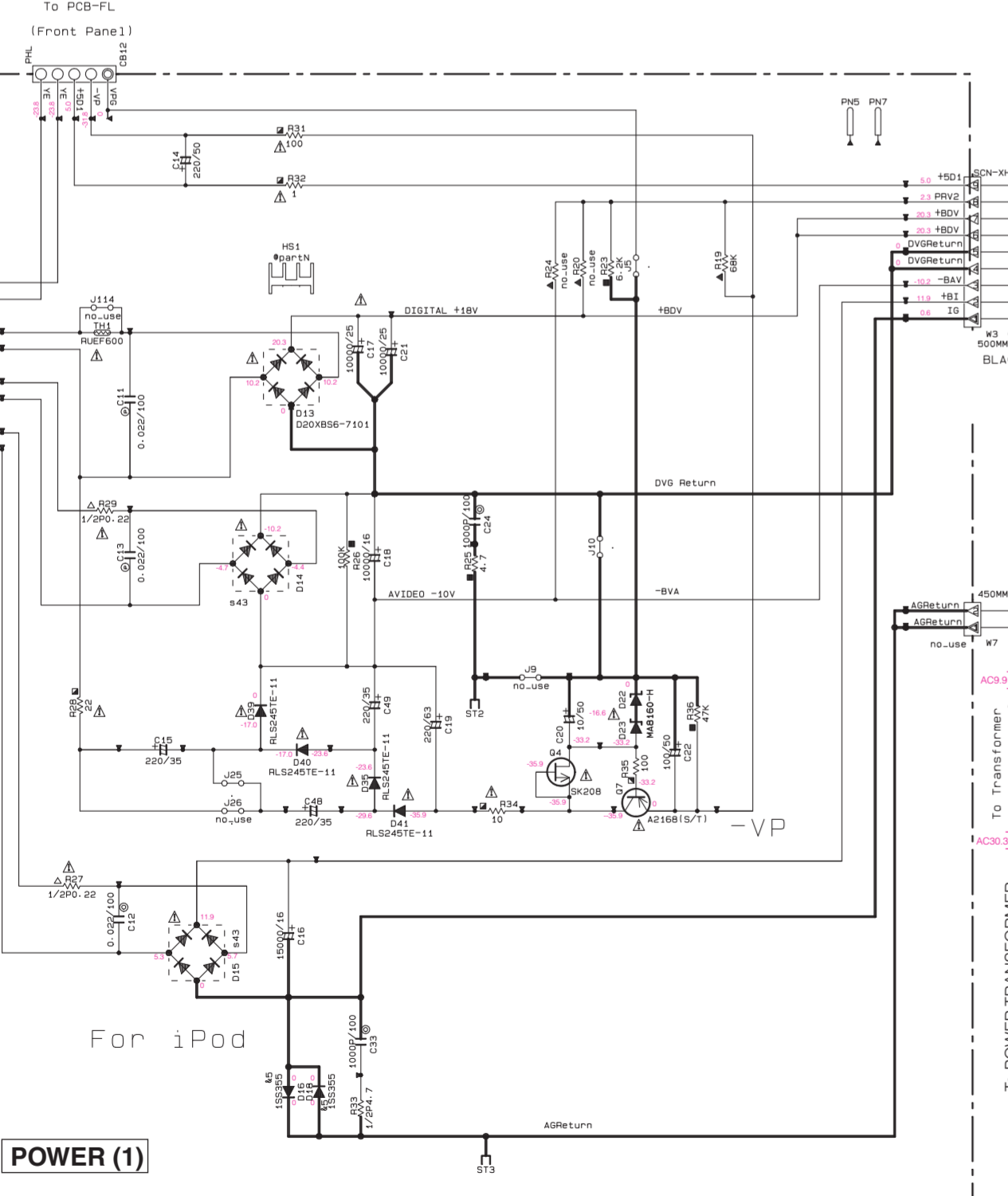
IC16: KIA7912PI Voltage regulator



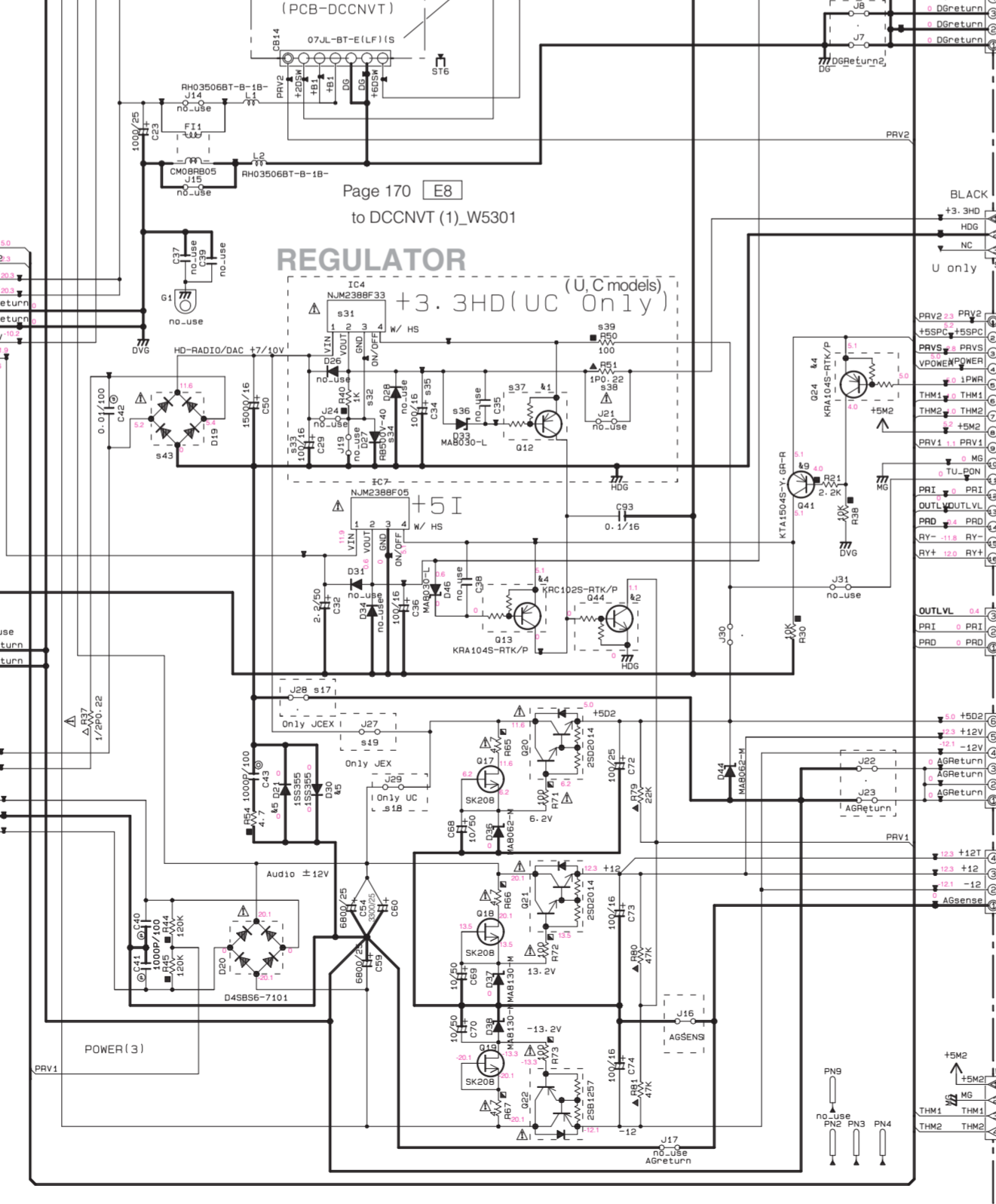
VOLTAGE SELECTOR table with columns for Input, Output, and Voltage Selector values.



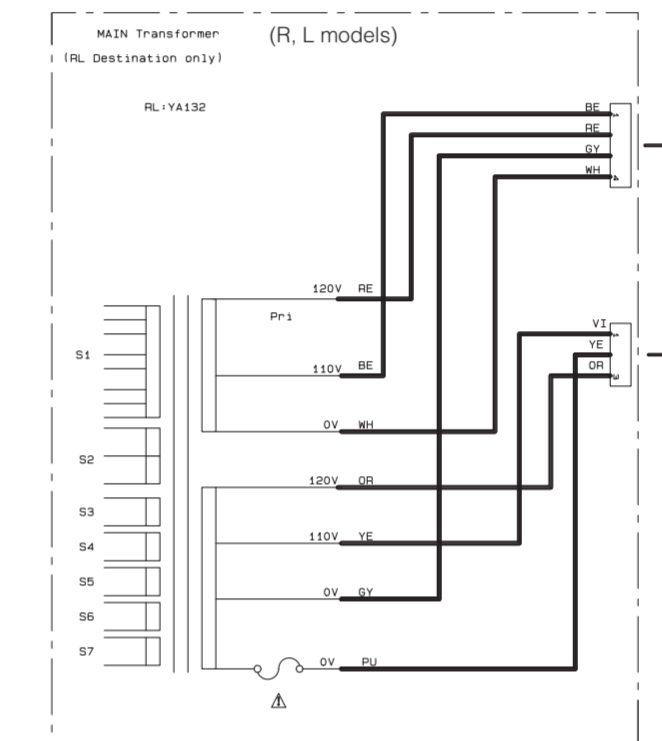
Page 167 [A4] to FL (1)_W9001



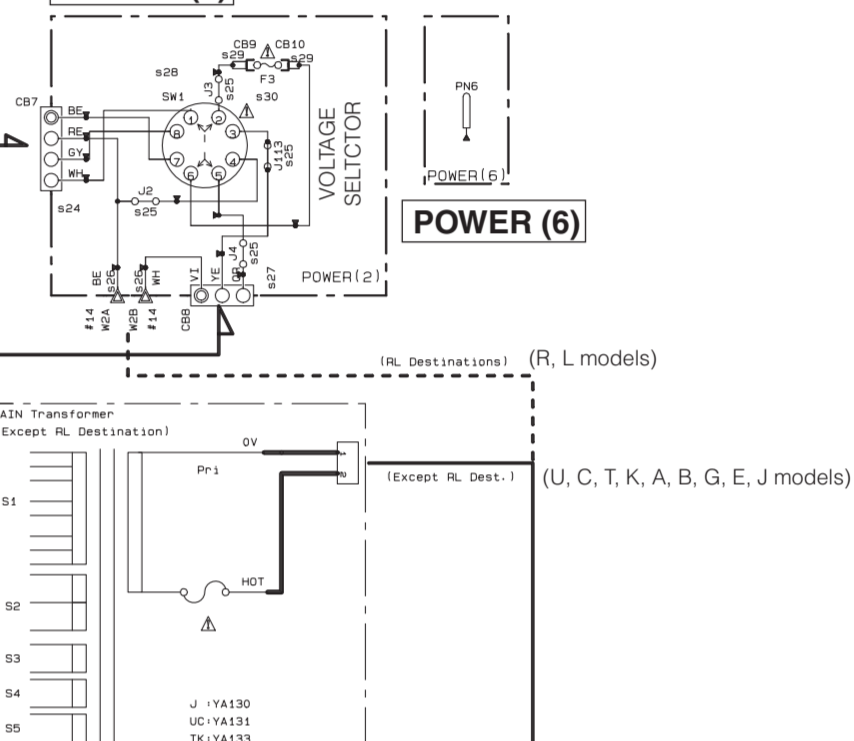
POWER (1)



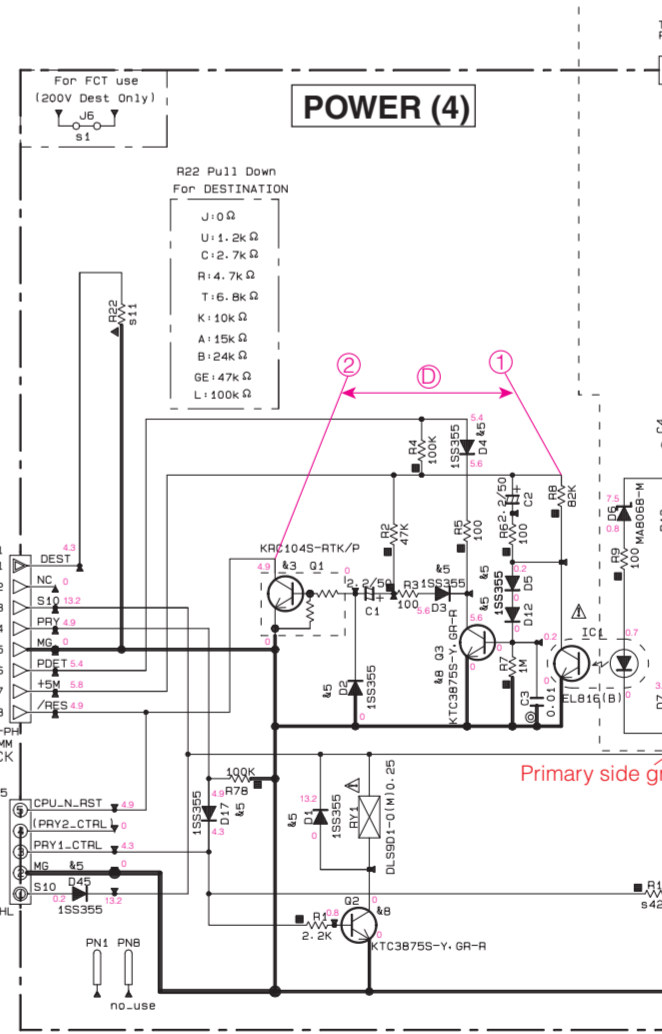
POWER (3)



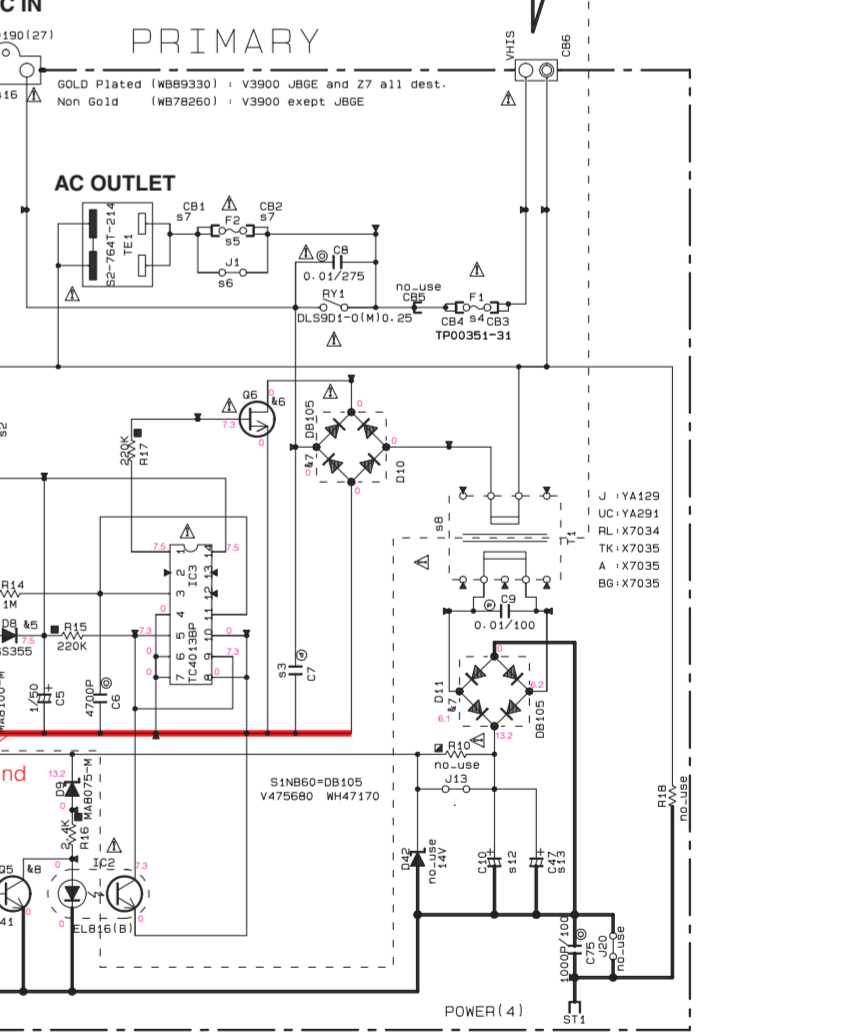
POWER (2) R, L models



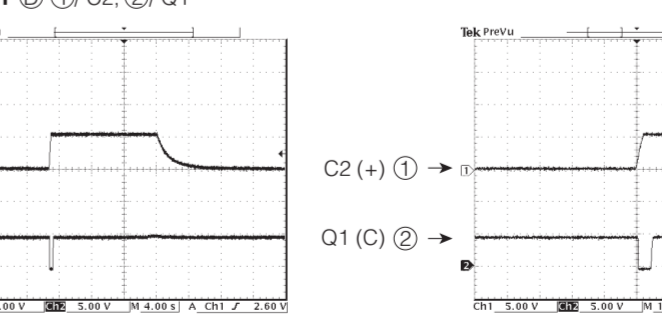
POWER (6) (U, C, T, K, A, B, G, E, J models)



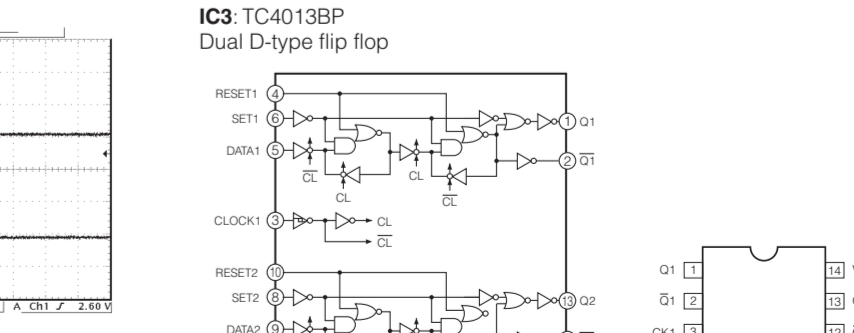
POWER (4)



POWER (5)

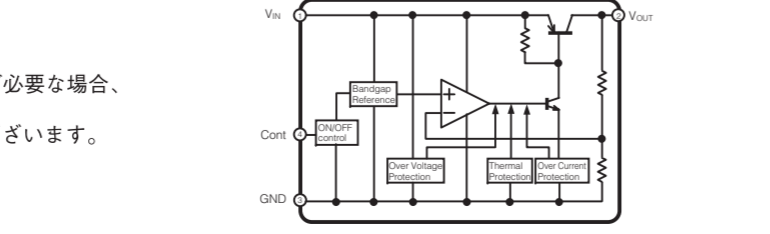


POINT ① C2, ② Q1

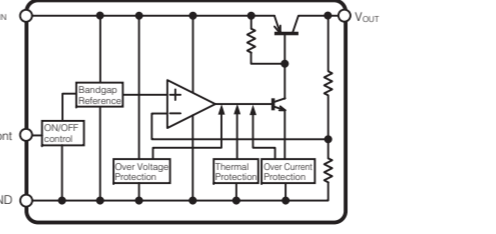


IC3: TC4013BP Dual D-type flip flop

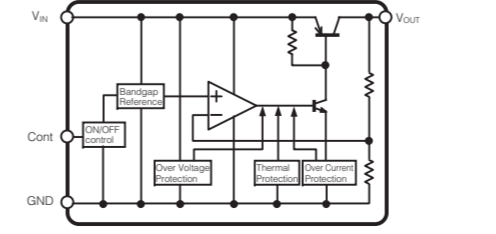
IC4: NJM2388F33 Low dropout voltage regulator with ON/OFF control



IC5: NJM2388F09 Low dropout voltage regulator with ON/OFF control



IC6: 7: NJM2388F05 Low dropout voltage regulator with ON/OFF control

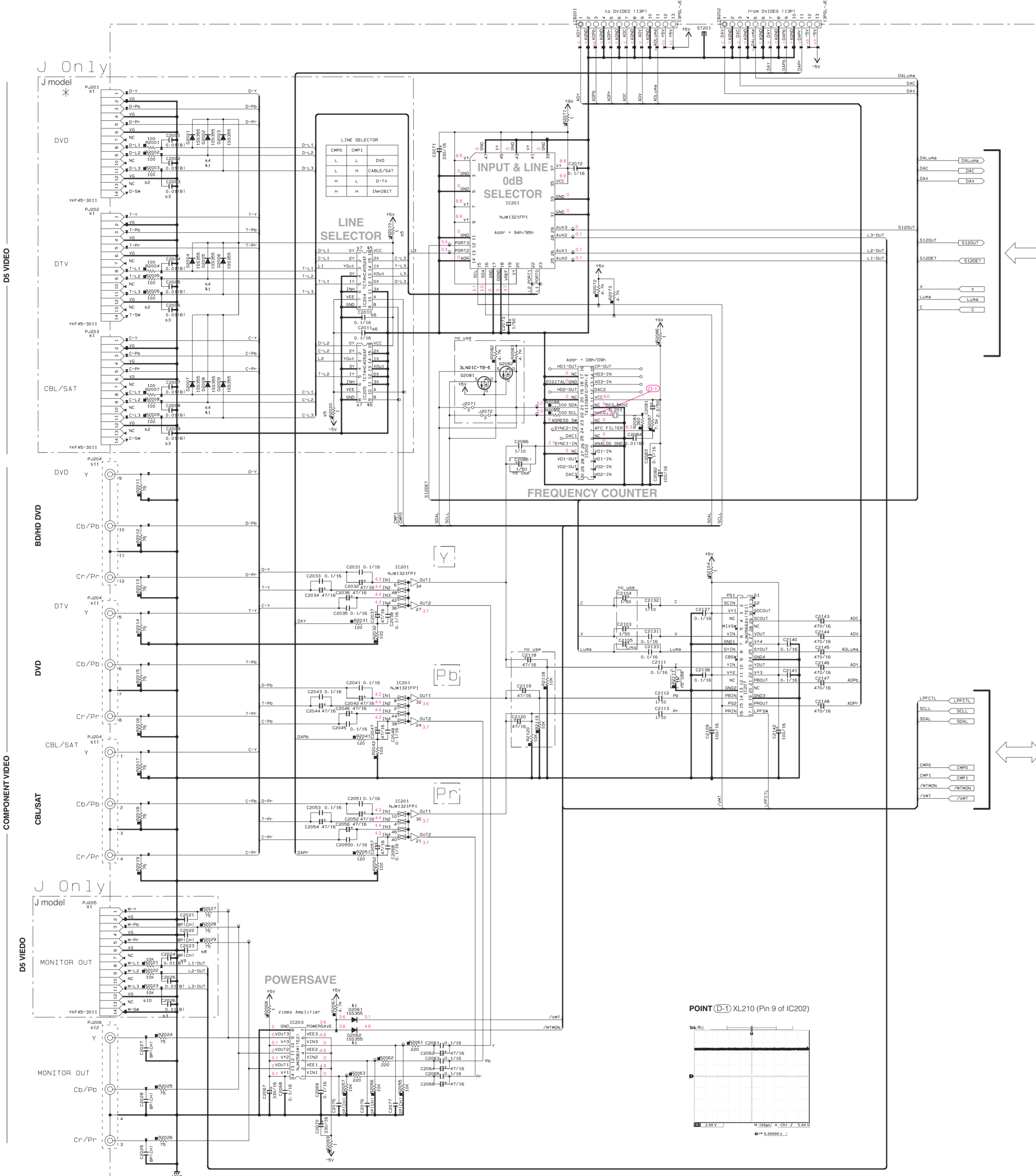


* All voltages are measured with a 10MΩ/V DC electronic voltmeter. * Components having special characteristics are marked with a triangle. * Schematic diagram is subject to change without notice.

● 電圧は、内部抵抗10MΩの電圧計で測定したものです。 ● 印のある部品は、安全性確保部品を示しています。 ● 本回路図は標準回路図です。改良のため予告なく変更することがございます。

A-VIDEO 1/2

Page 157 [A3] to D-VIDEO_CB701 Page 157 [A2] to D-VIDEO_CB700



RESISTOR table with columns for Remarks, Parts Name, and values.

CAPACITOR table with columns for Remarks, Parts Name, and values.

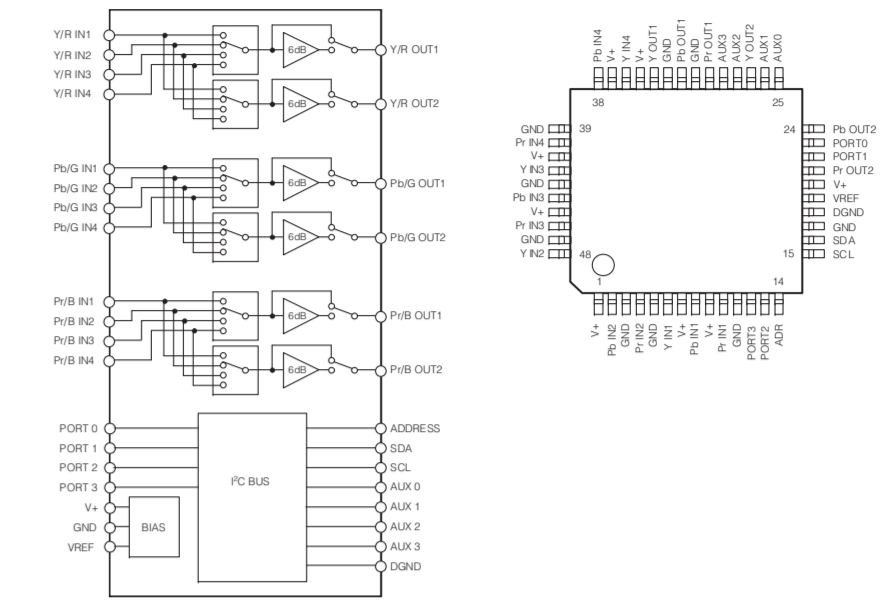
002.sht to A-VIDEO 2/2

Destination Part List table with columns for SXX, LOC, J, U.C.R.K, T.A.B.G.L.E.

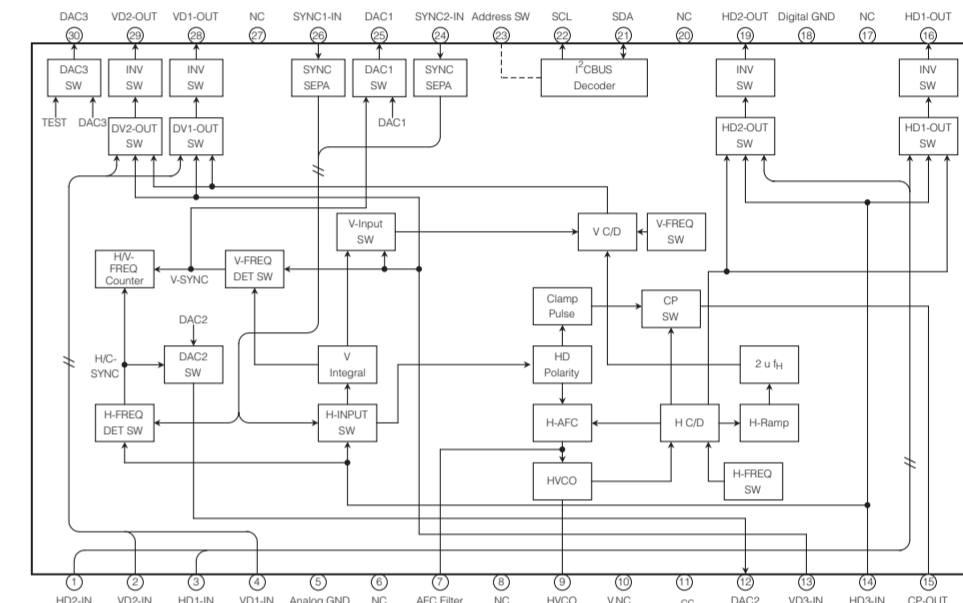
002.sht to A-VIDEO 2/2

Interchangeable Parts at Manufacture-Stage table with columns for Mark, Reference Parts Number, Parts Name.

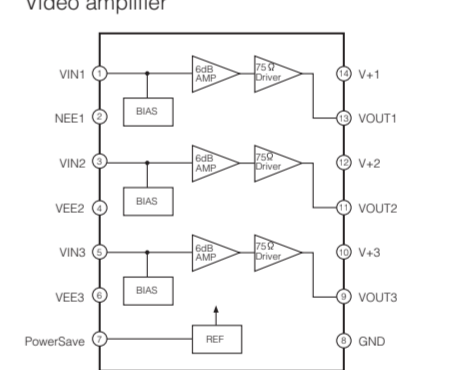
IC201: NJW1321FP1 Wide band video switch with IC bus



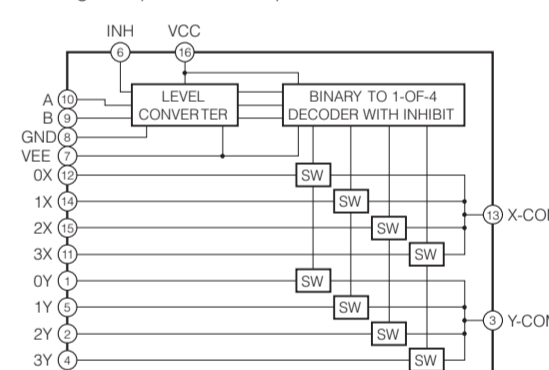
IC202: TA1318AF SYNC processor, frequency counter IC for TV component signals



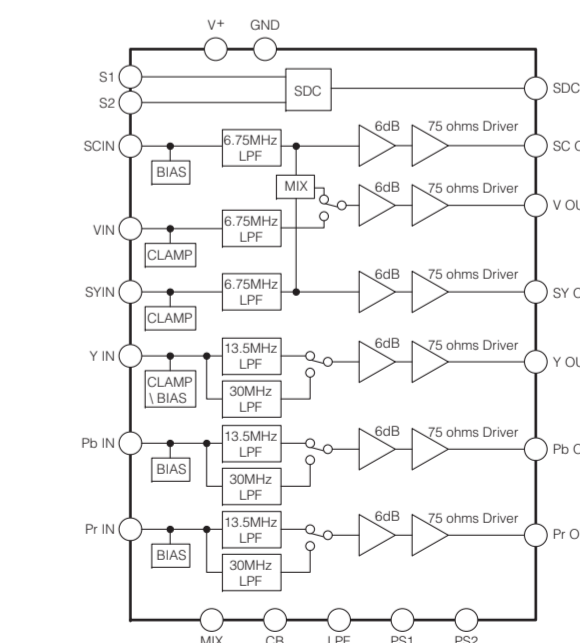
IC203: NJM2581M Video amplifier



IC204, 205: TC74HC4052AF Analog multiplexer/demultiplexer



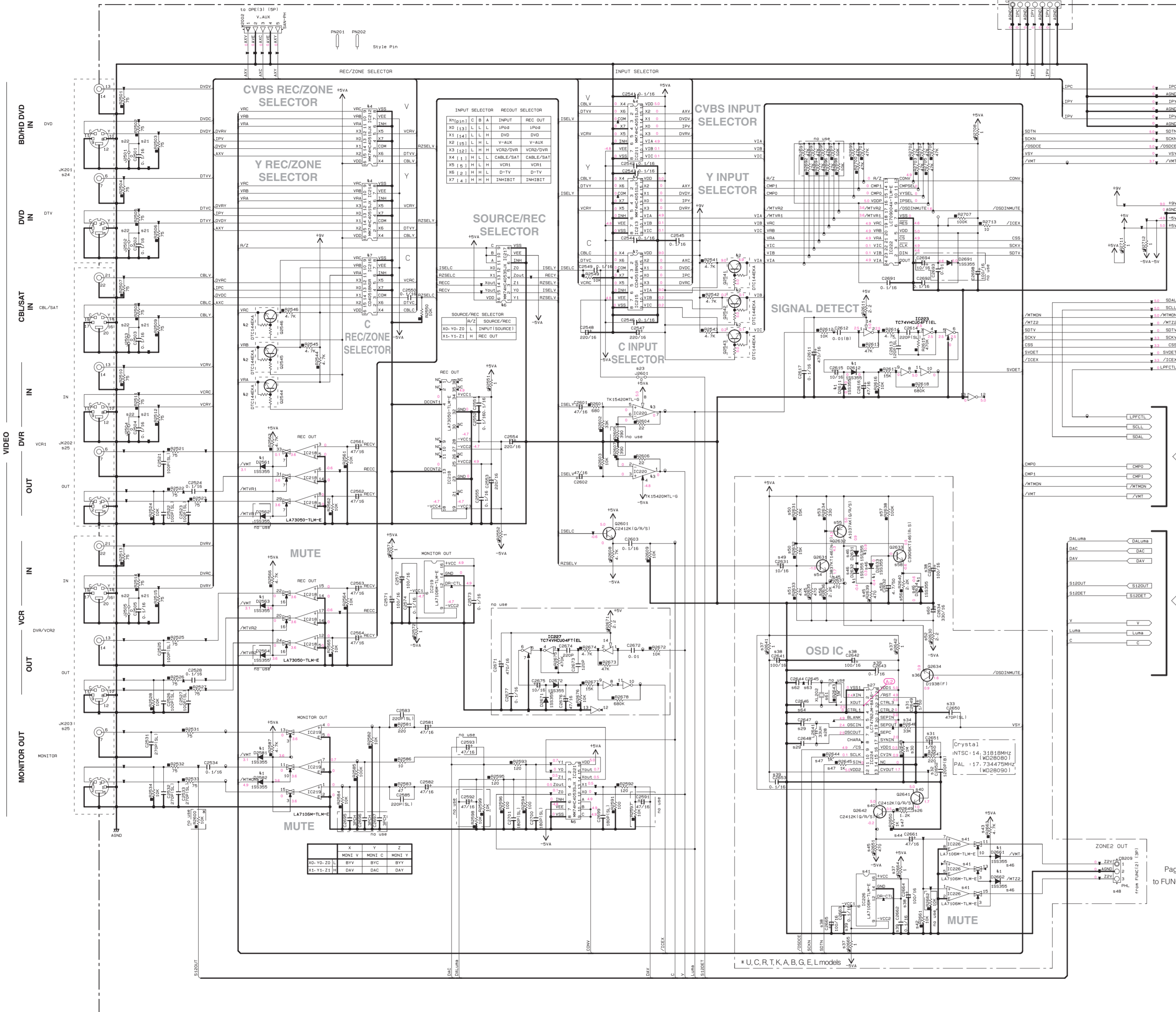
IC207: NJM2566AV 6-channel video amplifier for DVD



* All voltages are measured with a 10MΩ DC electronic voltmeter. * Components having special characteristics are marked 1, and must be replaced with parts having specifications other than those originally installed. * Schematic diagram is subject to change without notice.

● 電圧は、内部抵抗10MΩの電圧計で測定したものです。 ● 1印のある部品は、安全確保部品を示しています。部品の交換が必要な場合、パーツリストに記載されている部品を使用してください。 ● 本回路図は標準回路図です。改良のため予告なく変更することがございます。

Page 152 F4 to OPERATION (3)_CB807



RESISTOR

4	VCC	0V	VCC	1V	VCC
6	N	2V	N	2V	COM
COM	3	VCC	COM	3	COM
7	COM	3	VCC	COM	3
5	COM	3	VCC	COM	3
INH	COM	3	VCC	COM	3
VEE	COM	3	VCC	COM	3
6	N	2V	N	2V	COM
6	N	2V	N	2V	COM

NOTICE (made1)

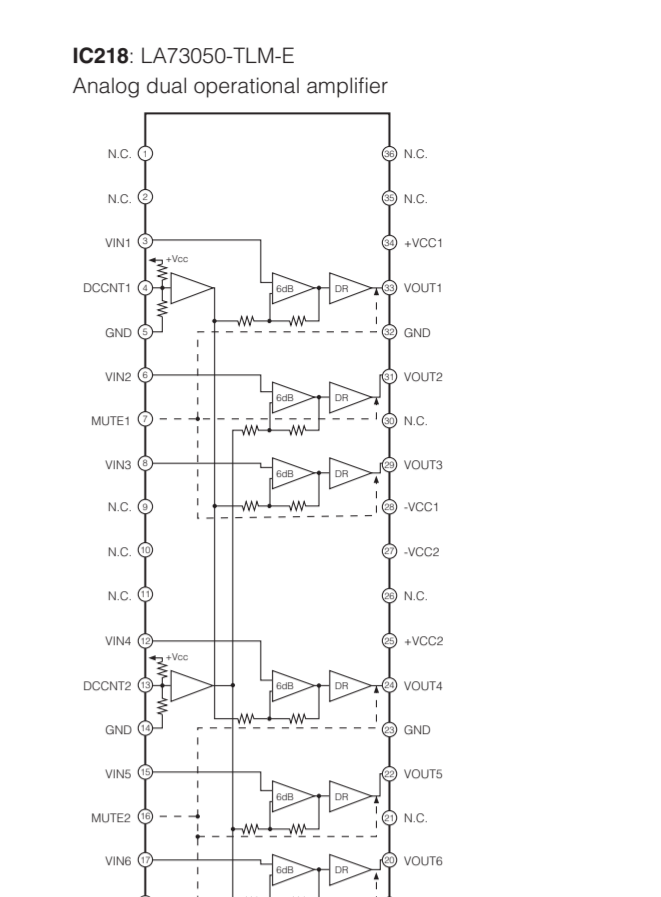
(J)..... JAPAN
(U)..... U.S.A
(C)..... CANADA
(H)..... GENERAL
(T)..... CHINA
(K)..... KOREA
(A)..... AUSTRALIA
(B)..... BRITISH
(Q)..... EUROPE
(E)..... SOUTH EUROPE
(V)..... TAIWAN
(F)..... RUSSIAN

REMARKS PARTS NAME

NO MARK	CARBON FILM RESISTOR (P=5)
□	CARBON FILM RESISTOR (P=10)
△	METAL OXIDE FILM RESISTOR
○	METAL PLATE RESISTOR
■	FINE PROOF CARBON FILM RESISTOR
◇	CEMENT MOUNTED RESISTOR
◎	SEMI-VARIABLE RESISTOR
■	CHIP RESISTOR

CAPACITOR

NO MARK	ELECTROLYTIC CAPACITOR
□	TANTALUM CAPACITOR
○	CERAMIC CAPACITOR
◇	CERAMIC TUBULAR CAPACITOR
◎	POLYESTER FILM CAPACITOR
■	POLYSTYRENE FILM CAPACITOR
△	MICA CAPACITOR
◇	POLYPROPYLENE FILM CAPACITOR
◎	SEMICONDUCTIVE CERAMIC CAPACITOR
◇	POLYPROPYLENE SULFIDE FILM CAPACITOR



Page 148 I8 to FUNCTION (1)_CB410

Page 154 H4 to POWER (3)_CB23

Page 165 M3 to D-VIDEO_CB106

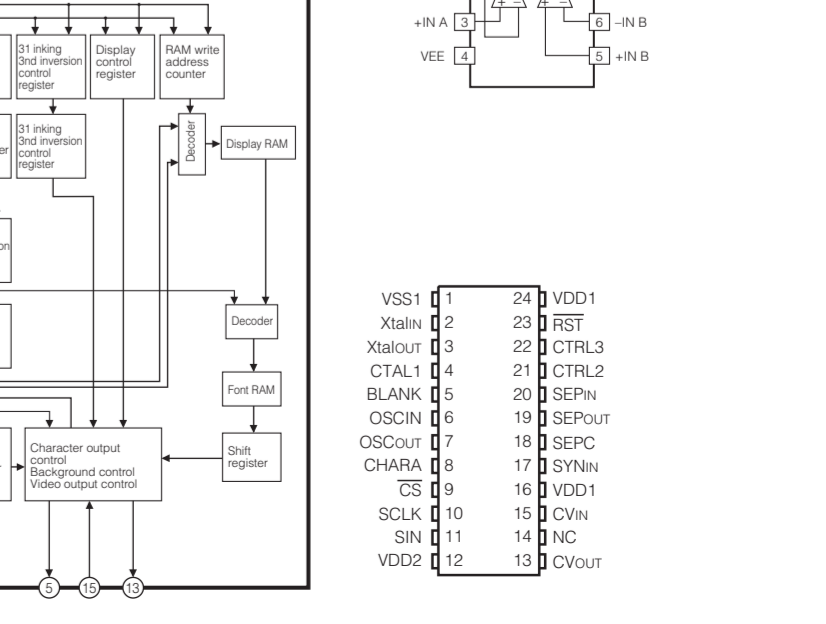
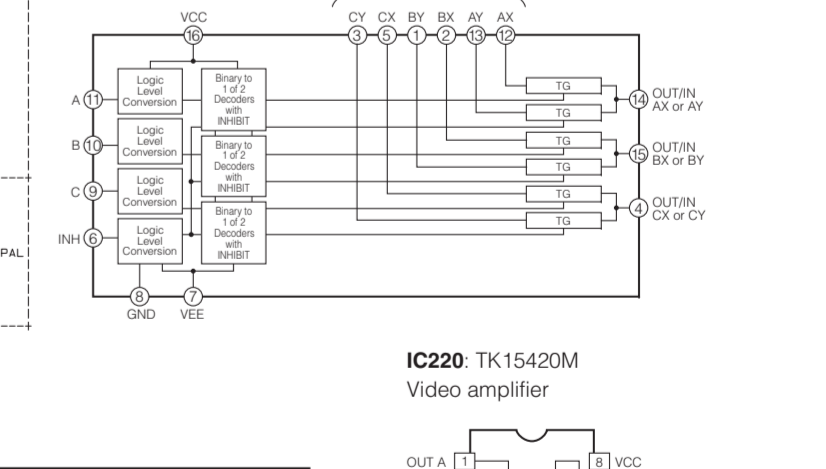
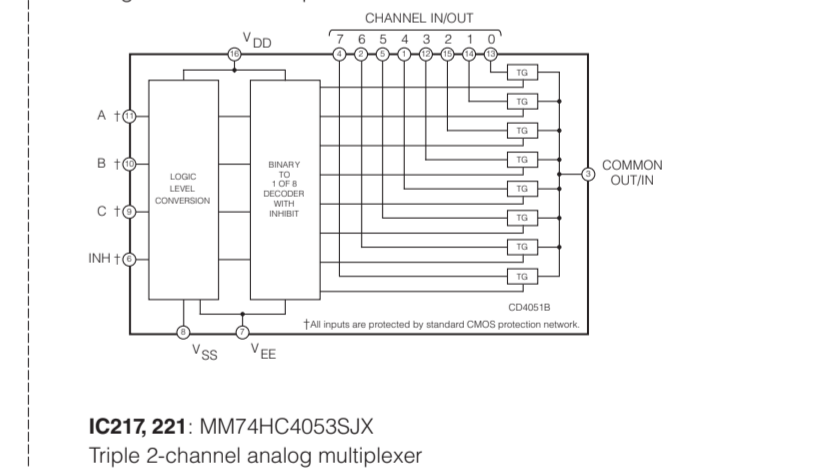
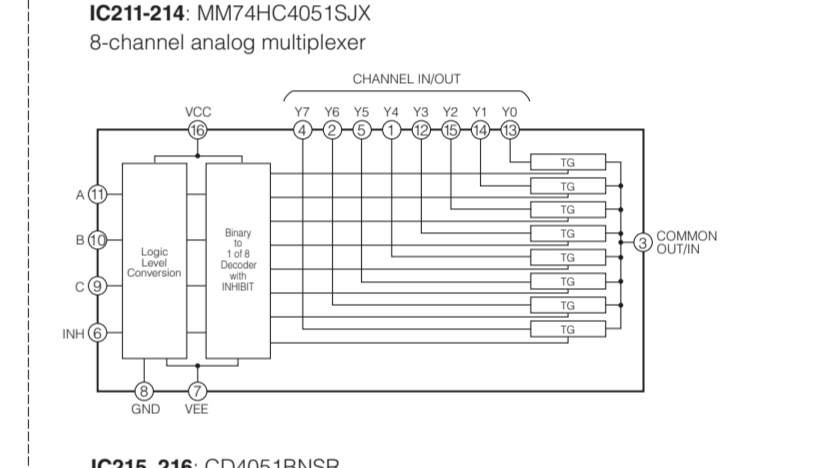
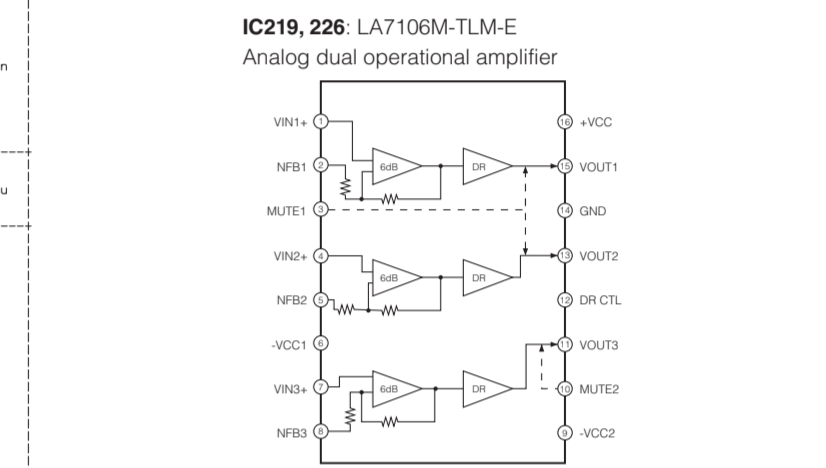
001.sht to A-VIDEO 1/2

001.sht to A-VIDEO 1/2

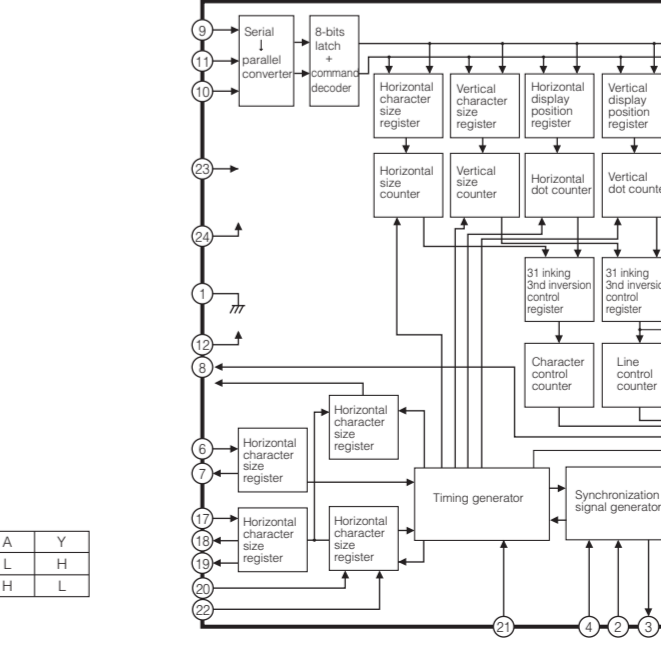
Page 151 C10 to FUNCTION (2)_W3500

Destination Part List

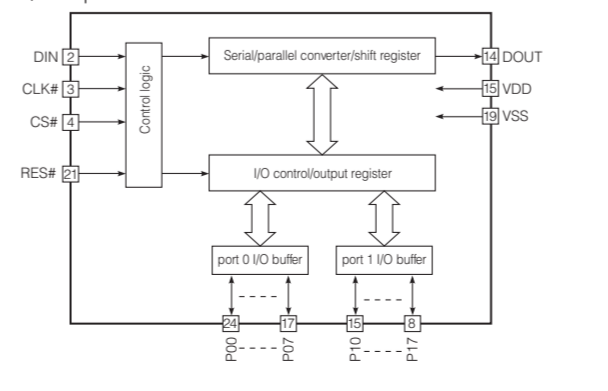
NO.	LOC	QTY	U.C.R.K	T.A.B-D-L-E
881	CR01	1	W5110	X
882	UR05	X	RD3900	RD3900
883	UR01	X	RD3900	X
884	UR01	X	RD3900	X
885	UR01	X	RD3900	X
886	UR01	X	RD3900	X
887	UR01	X	RD3900	X
888	UR01	X	RD3900	X
889	UR01	X	RD3900	X
890	UR01	X	RD3900	X
891	UR01	X	RD3900	X
892	UR01	X	RD3900	X
893	UR01	X	RD3900	X
894	UR01	X	RD3900	X
895	UR01	X	RD3900	X
896	UR01	X	RD3900	X
897	UR01	X	RD3900	X
898	UR01	X	RD3900	X
899	UR01	X	RD3900	X
900	UR01	X	RD3900	X
901	UR01	X	RD3900	X
902	UR01	X	RD3900	X
903	UR01	X	RD3900	X
904	UR01	X	RD3900	X
905	UR01	X	RD3900	X
906	UR01	X	RD3900	X
907	UR01	X	RD3900	X
908	UR01	X	RD3900	X
909	UR01	X	RD3900	X
910	UR01	X	RD3900	X
911	UR01	X	RD3900	X
912	UR01	X	RD3900	X
913	UR01	X	RD3900	X
914	UR01	X	RD3900	X
915	UR01	X	RD3900	X
916	UR01	X	RD3900	X
917	UR01	X	RD3900	X
918	UR01	X	RD3900	X
919	UR01	X	RD3900	X
920	UR01	X	RD3900	X
921	UR01	X	RD3900	X
922	UR01	X	RD3900	X
923	UR01	X	RD3900	X
924	UR01	X	RD3900	X
925	UR01	X	RD3900	X
926	UR01	X	RD3900	X
927	UR01	X	RD3900	X
928	UR01	X	RD3900	X
929	UR01	X	RD3900	X
930	UR01	X	RD3900	X
931	UR01	X	RD3900	X
932	UR01	X	RD3900	X
933	UR01	X	RD3900	X
934	UR01	X	RD3900	X
935	UR01	X	RD3900	X
936	UR01	X	RD3900	X
937	UR01	X	RD3900	X
938	UR01	X	RD3900	X
939	UR01	X	RD3900	X
940	UR01	X	RD3900	X
941	UR01	X	RD3900	X
942	UR01	X	RD3900	X
943	UR01	X	RD3900	X
944	UR01	X	RD3900	X
945	UR01	X	RD3900	X
946	UR01	X	RD3900	X
947	UR01	X	RD3900	X
948	UR01	X	RD3900	X
949	UR01	X	RD3900	X
950	UR01	X	RD3900	X
951	UR01	X	RD3900	X
952	UR01	X	RD3900	X
953	UR01	X	RD3900	X
954	UR01	X	RD3900	X
955	UR01	X	RD3900	X
956	UR01	X	RD3900	X
957	UR01	X	RD3900	X
958	UR01	X	RD3900	X
959	UR01	X	RD3900	X
960	UR01	X	RD3900	X
961	UR01	X	RD3900	X
962	UR01	X	RD3900	X
963	UR01	X	RD3900	X
964	UR01	X	RD3900	X



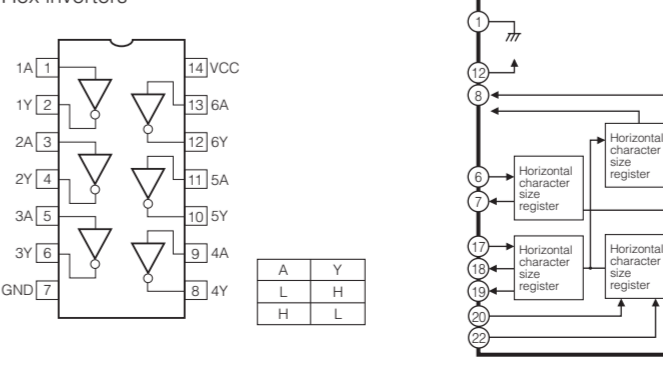
IC224: LC74782JM-BA16-TLM
The on-screen display controller LSI



IC222: LC70904A-TLM-E
I/O-expander for microcontroller



IC223: TC74VHC04FT
Hex inverters

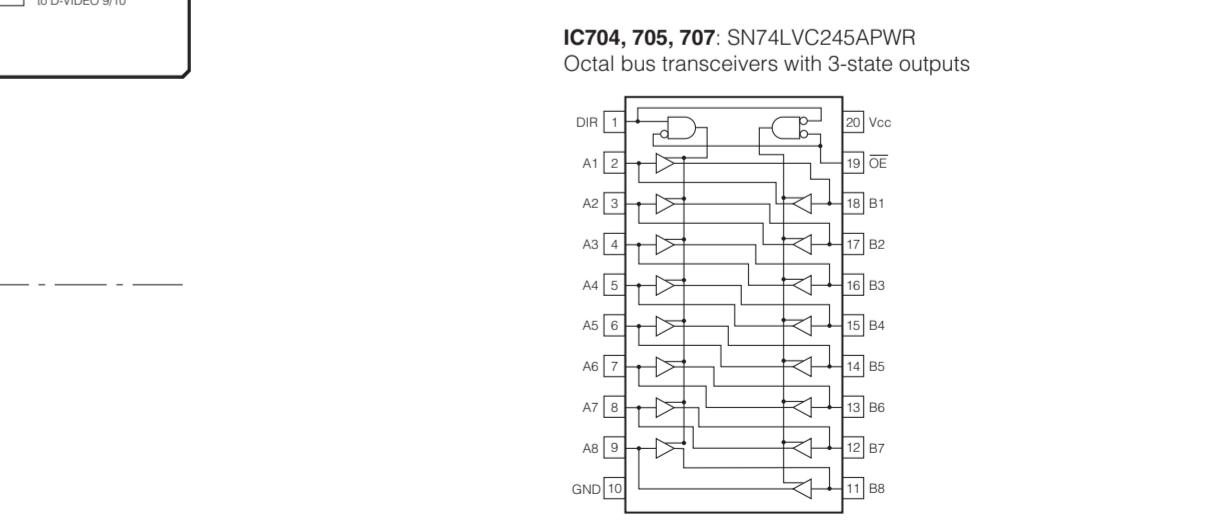
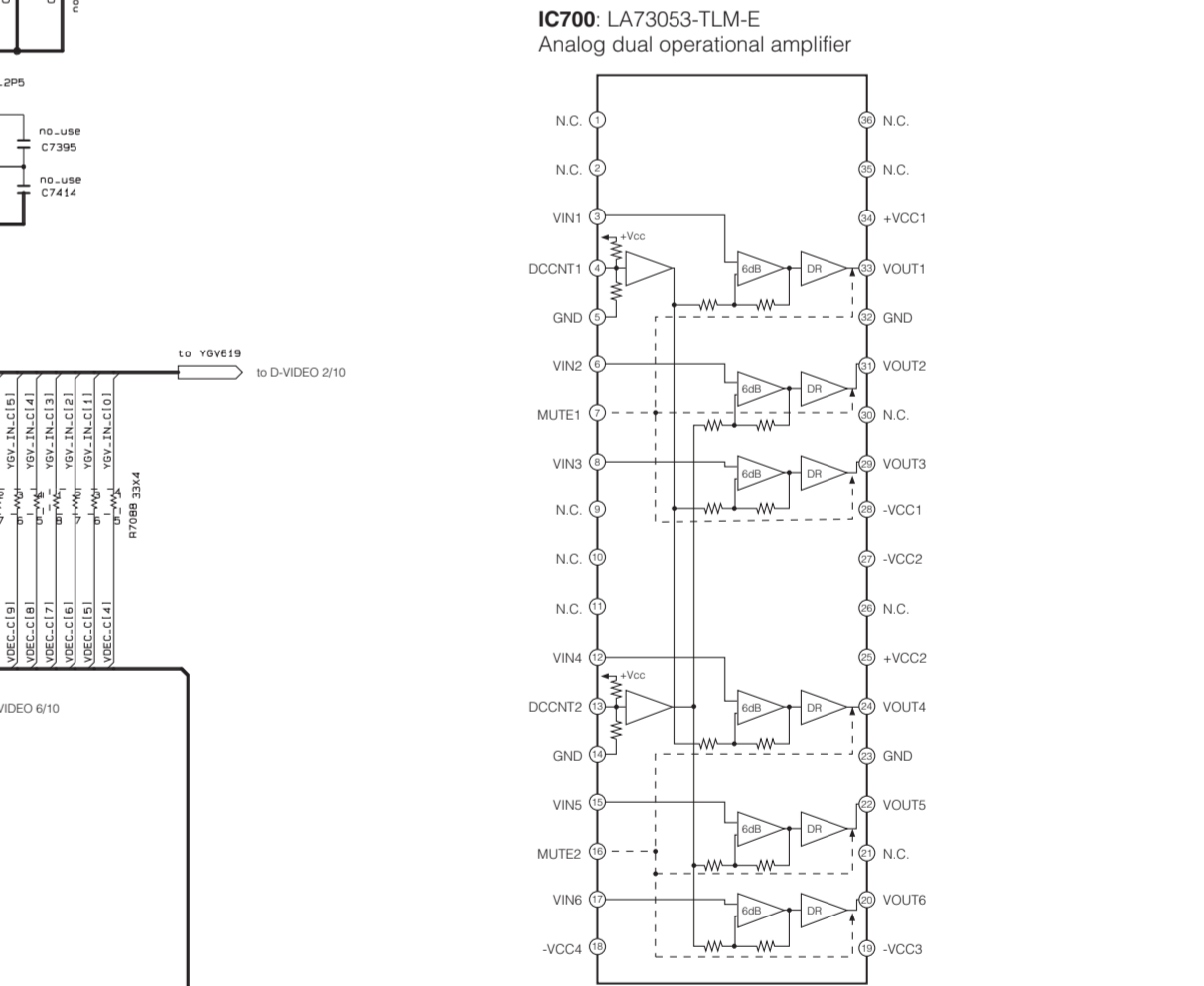
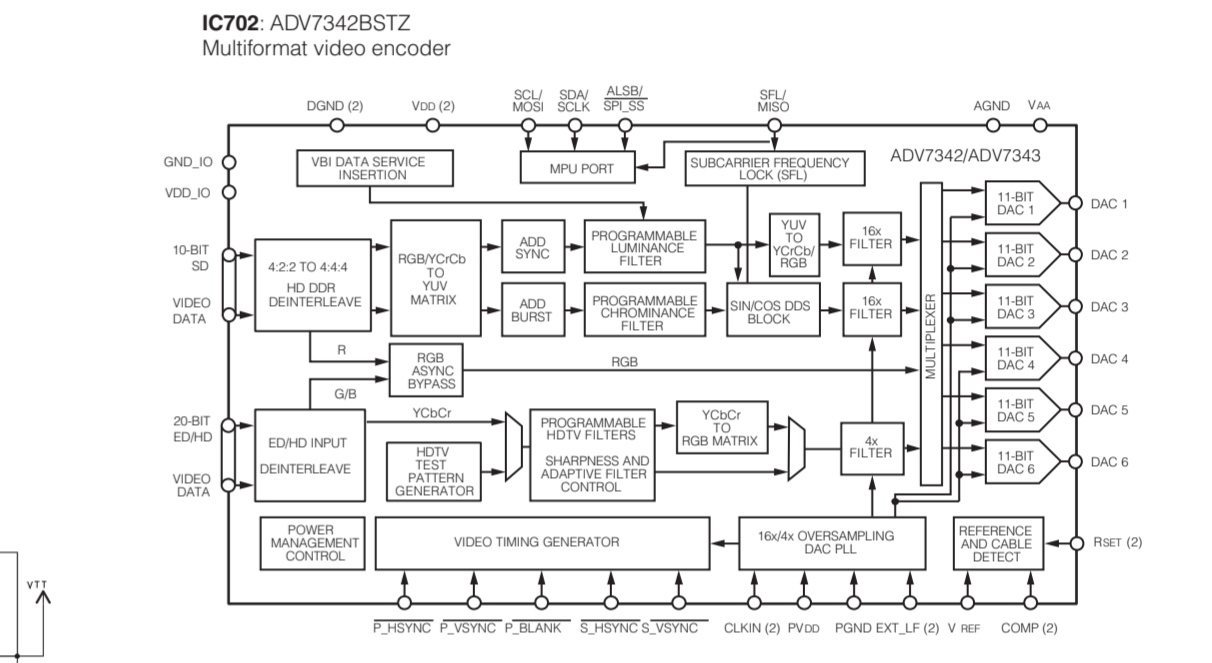
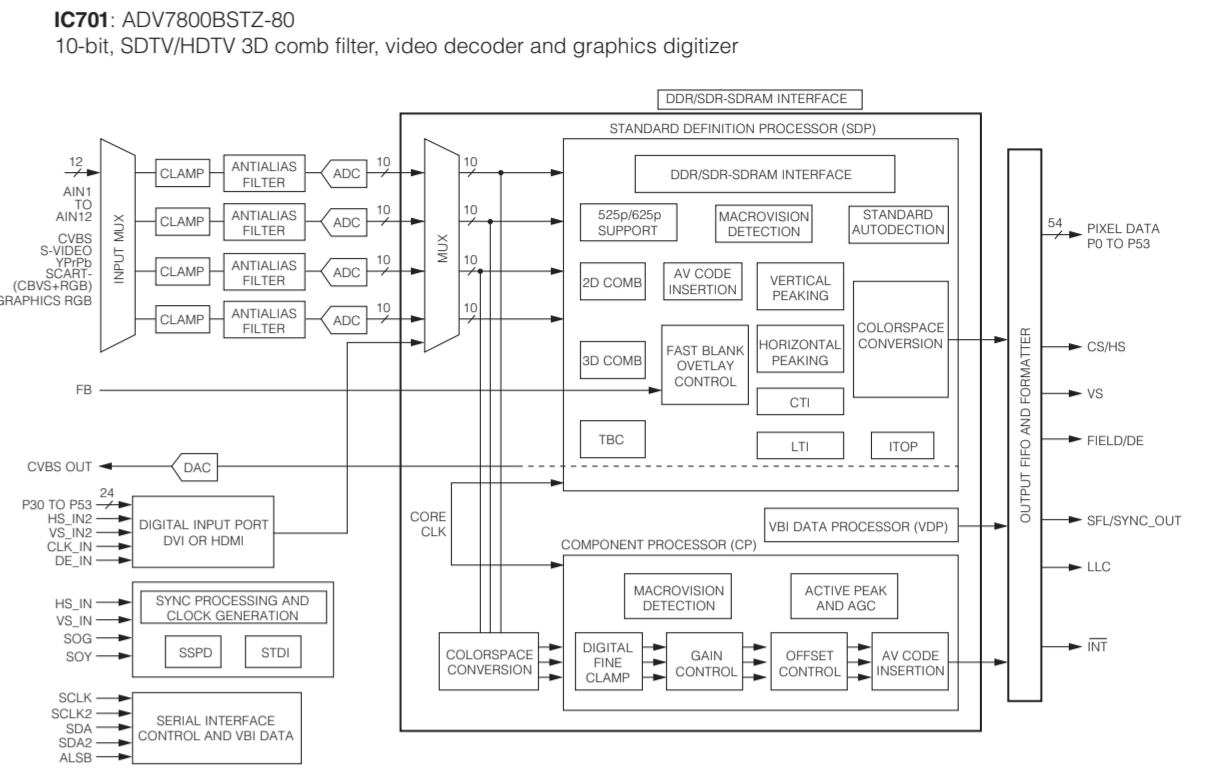
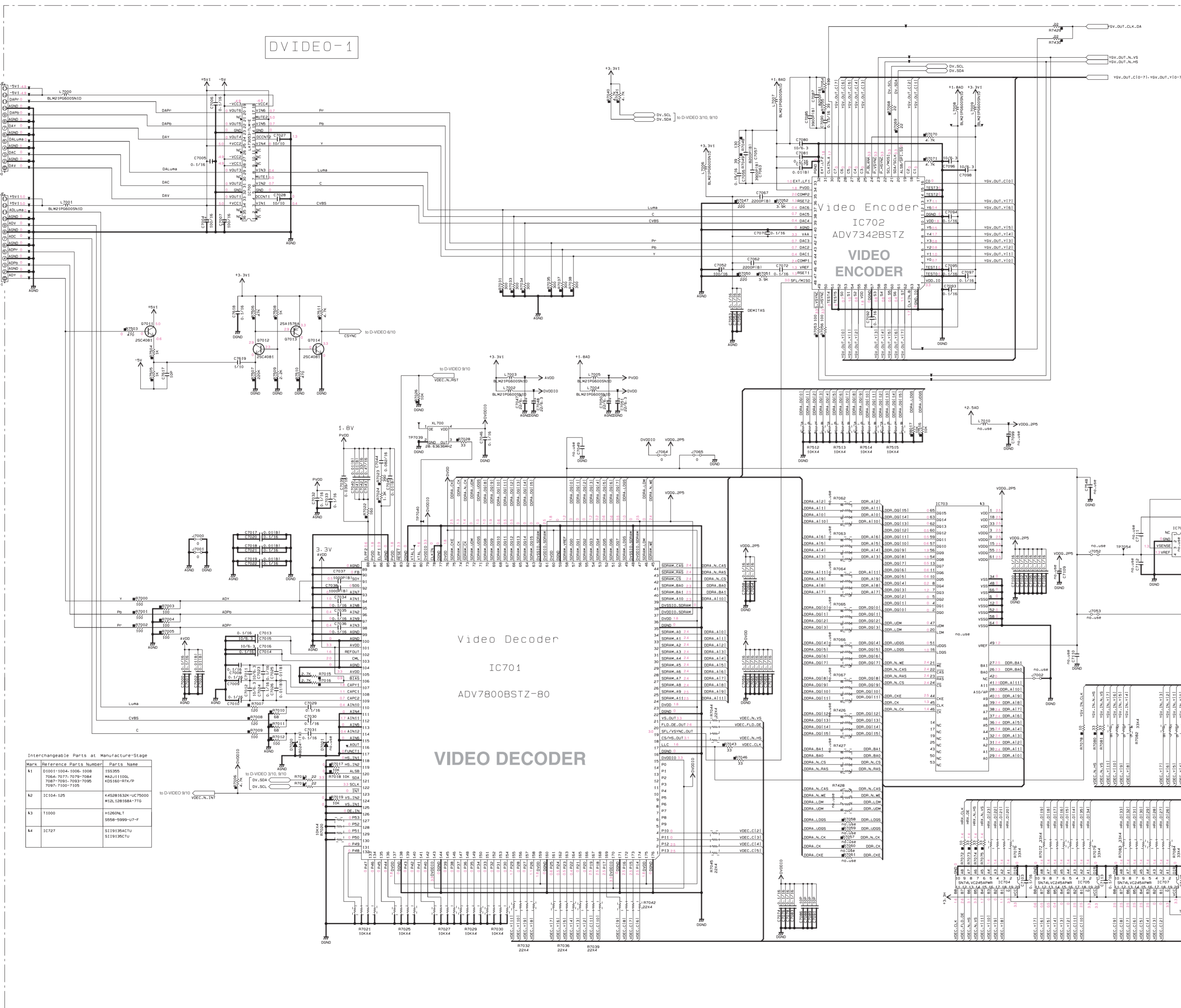


★ All voltages are measured with a 10MΩ/V DC electronic voltmeter.
★ Components having special characteristics are marked '!' and must be replaced with parts having specifications equal to those originally installed.
★ Schematic diagram is subject to change without notice.

● 電圧は、内部抵抗10MΩの電圧計で測定したものです。
● !印のある部品は、安全性確保部品を示しています。部品の交換が必要な場合、パーツリストに記載されている部品を使用してください。
● 本回路図は標準回路図です。改良のため予告なく変更することがございます。

D-VIDEO 1/10

Page 155 [G2] to A-VIDEO_CB202
Page 155 [F2] to A-VIDEO_CB201

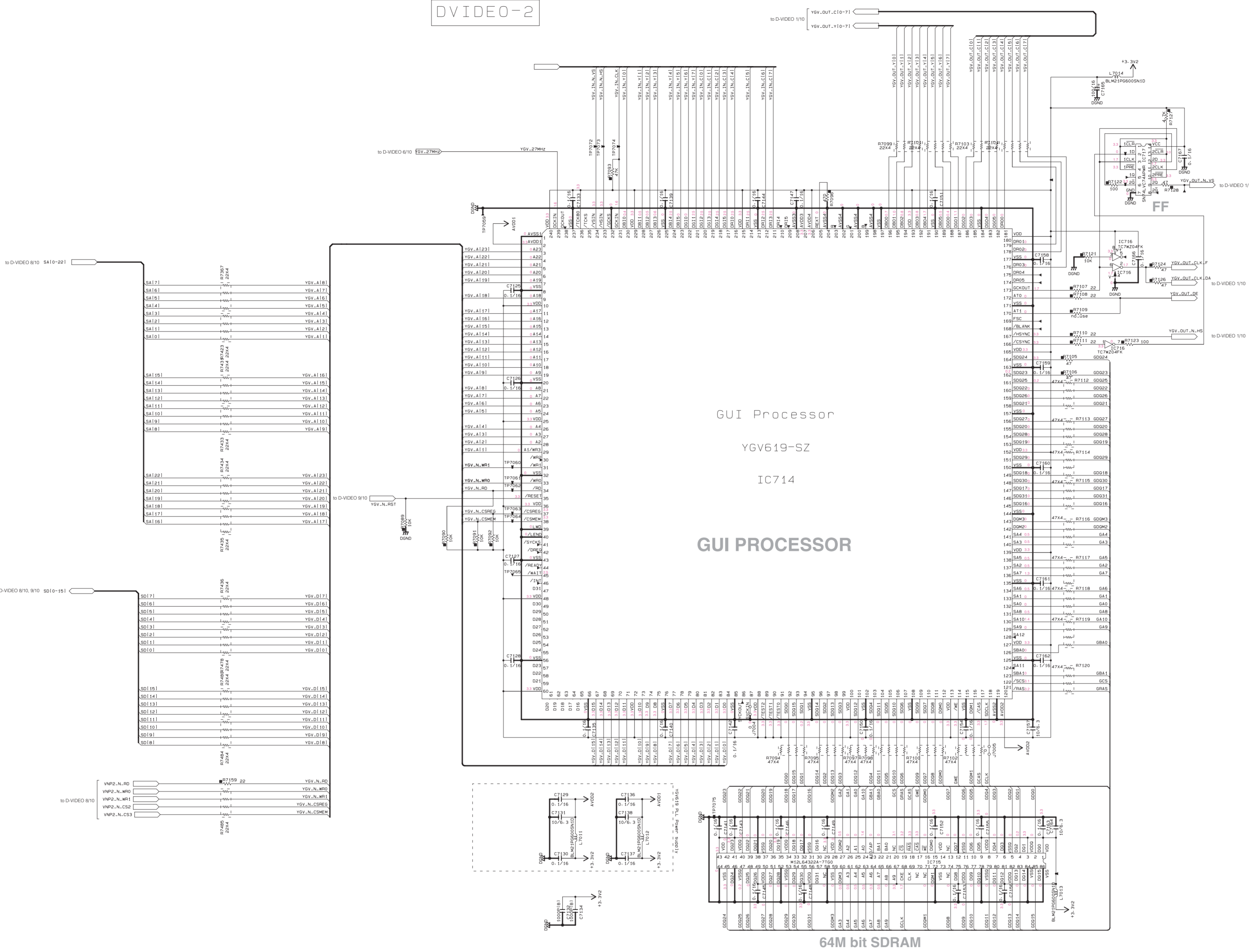


★ All voltages are measured with a 10MΩ/V DC electronic voltmeter.
★ Components having special characteristics are marked with a triangle (▲) and must be replaced with parts having specifications equal to those originally installed.
★ Schematic diagram is subject to change without notice.

● 電圧は、内部抵抗10MΩの電圧計で測定したものです。
● 印のある部品は、安全確保部品を示しています。部品の交換が必要な場合、パーツリストに記載されている部品を使用してください。
● 本回路図は標準回路図です。改良のため予告なく変更することがございます。

D-VIDEO 2/10

DVIDEO-2



GUI Processor
YGV619-SZ
IC714

GUI PROCESSOR

64M bit SDRAM

REMARKS	PARTS NAME
NO MARK	CARBON FILM RESISTOR [P=5]
□	CARBON FILM RESISTOR [P=10]
△	METAL OXIDE FILM RESISTOR
⊠	METAL FILM RESISTOR
⊡	FIRE PROOF CARBON FILM RESISTOR
□	METAL CLATE RESISTOR
⊞	CEMENT MOLDED RESISTOR
⊕	SEMI VARIABLE RESISTOR
■	CHIP RESISTOR

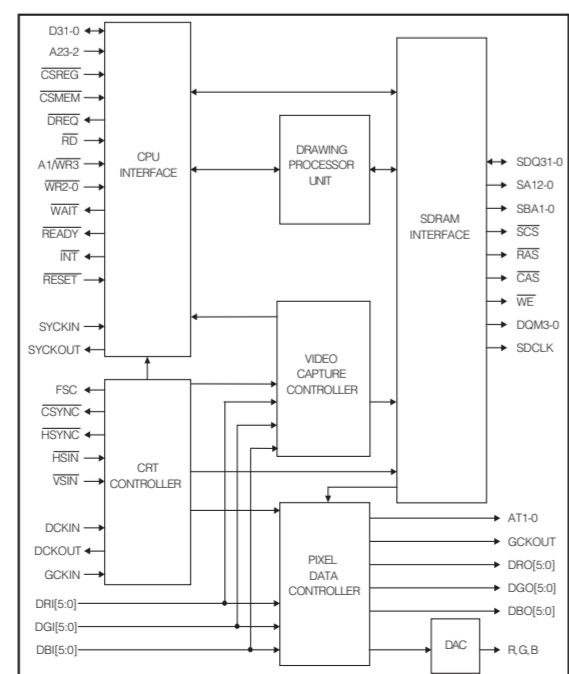
REMARKS	PARTS NAME
NO MARK	ELECTROLYTIC CAPACITOR
⊙	TANTALUM CAPACITOR
NO MARK	CERAMIC CAPACITOR
⊙	POLYESTER FILM CAPACITOR
⊙	POLYSTYRENE FILM CAPACITOR
⊙	MICA CAPACITOR
⊙	POLYPROPYLENE FILM CAPACITOR
⊙	SEMICONDUCTIVE CERAMIC CAPACITOR

NOTICE (model)
(J)..... JAPAN
(U)..... U.S.A
(C)..... CANADA
(R)..... GENERAL
(K)..... CHINA
(T)..... KOREA
(A)..... AUSTRALIA
(B)..... BRITISH
(G)..... EUROPE
(L)..... SINGAPORE
(E)..... SOUTH EUROPE
(V)..... TAIWAN
(F)..... RUSSIAN

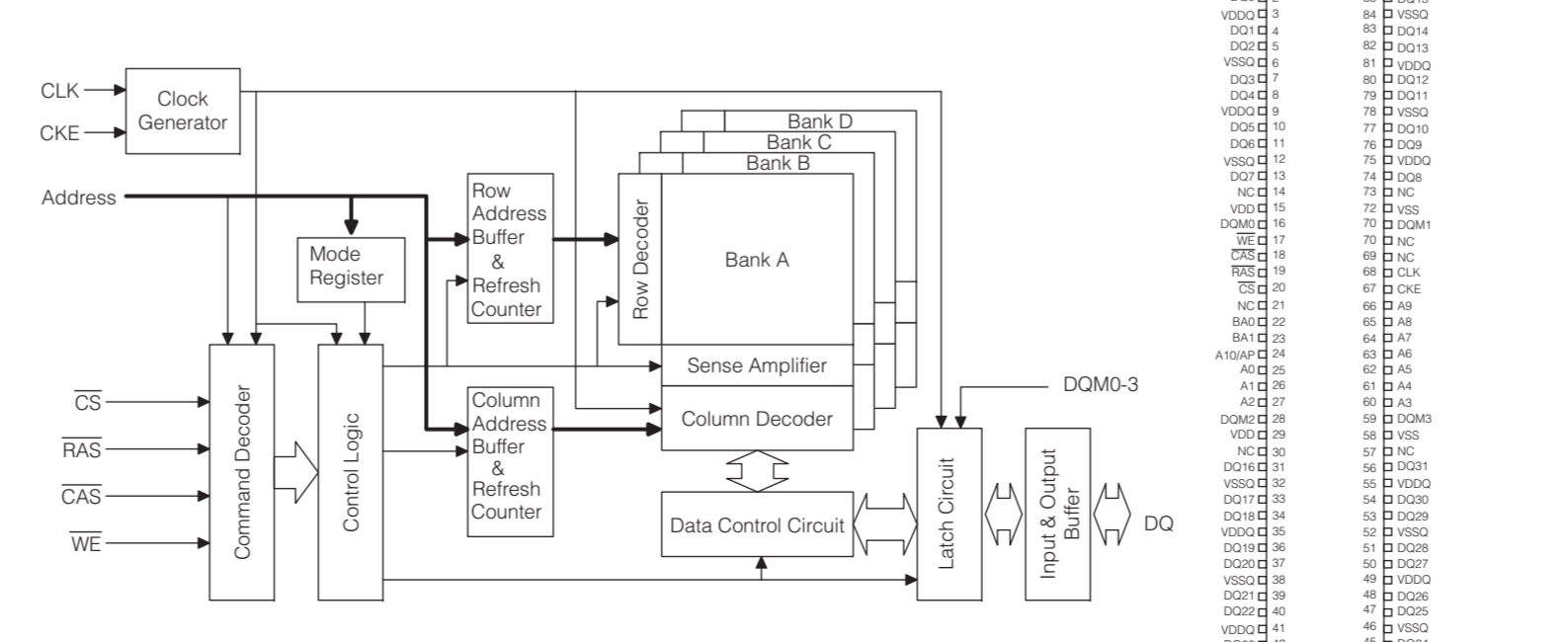
* All voltages are measured with a 10MΩV DC electronic voltmeter.
* Components having special characteristics are marked ♯, and must be replaced with parts having specifications equal to those originally installed.
* Schematic diagram is subject to change without notice.

● 電圧は、内部抵抗10MΩの電圧計で測定したものです。
● ♯印のある部品は、安全性確保部品を示しています。部品の交換が必要な場合、パーツリストに記載されている部品を使用してください。
● 本回路図は標準回路図です。改良のため予告なく変更することがございます。

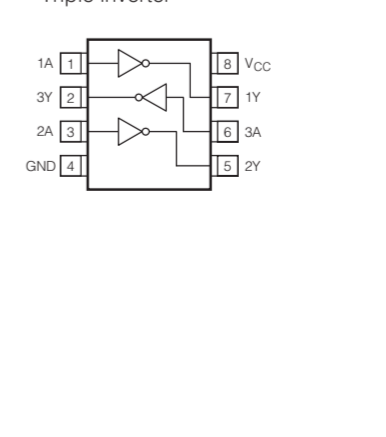
IC714: YGV619
OSD display controller



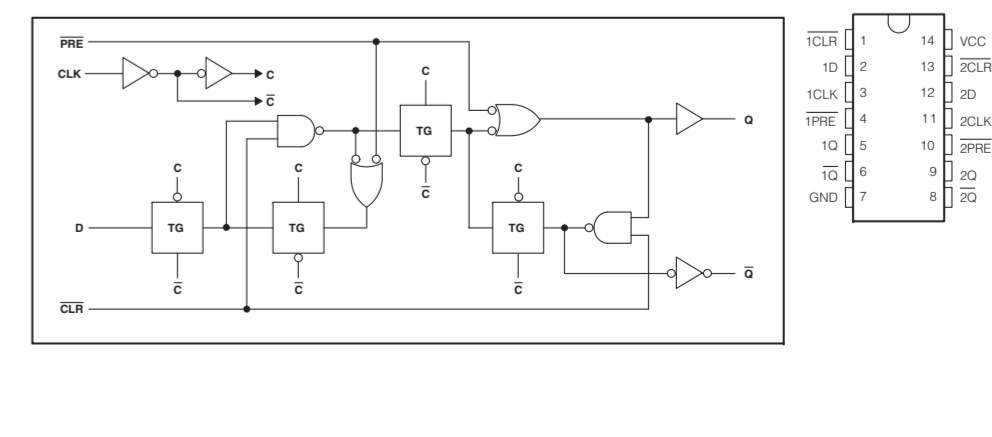
IC715: M12L64322A-7TG 0.1UM
512 k x 32-bit x 4 banks synchronous DRAM



IC716: TC7WZ04FK
Triple inverter



IC717: SN74LVCT4APWR
Dual positive-edge-triggered D-type flip-flop



D-VIDEO 3/10

DVIDEO-3

VIDEO PROCESSOR
No replacement part available.
サービス部品供給なし

VIDEO PROCESSOR
No replacement part available.
サービス部品供給なし

VIDEO PROCESSOR
No replacement part available.
サービス部品供給なし

256M bit x 16
DDR2 SDRAM

256M bit x 16
DDR2 SDRAM

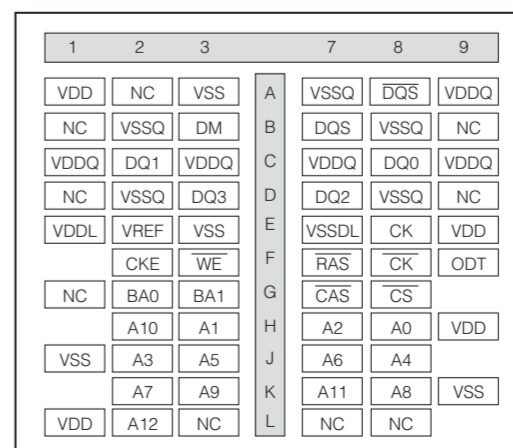
REMARKS	PARTS NAME	QTY
NO MARK	CARBON FILM RESISTOR (P=5)	
□	CARBON FILM RESISTOR (P=10)	
△	METAL OXIDE FILM RESISTOR	
◇	METAL FILM RESISTOR	
○	METAL PLATE RESISTOR	
□	FINE PROF. CARBON FILM RESISTOR	
□	CEMENT MOLDED RESISTOR	
□	SEMI VARIABLE RESISTOR	
■	CHIP RESISTOR	

REMARKS	PARTS NAME	QTY
NO MARK	ELECTROLYTIC CAPACITOR	
□	TANTALUM CAPACITOR	
○	CERAMIC CAPACITOR	
●	CERAMIC TUBULAR CAPACITOR	
○	POLYESTER FILM CAPACITOR	
○	POLYETHYLENE FILM CAPACITOR	
○	MICA CAPACITOR	
○	POLYPROPYLENE FILM CAPACITOR	
○	SEMICONDUCTIVE CERAMIC CAPACITOR	

NOTICE (mode)

(J)..... JAPAN
 (U)..... U. S. A
 (C)..... CANADA
 (R)..... GENERAL
 (T)..... CHINA
 (K)..... KOREA
 (A)..... AUSTRALIA
 (B)..... BRITISH
 (G)..... EUROPE
 (L)..... SINGAPORE
 (E)..... SOUTH
 (V)..... TAIWAN
 (F)..... RUSSIAN

IC753, 752 V59C1256164QAF25
256 M-bit DDR2 SDRAM

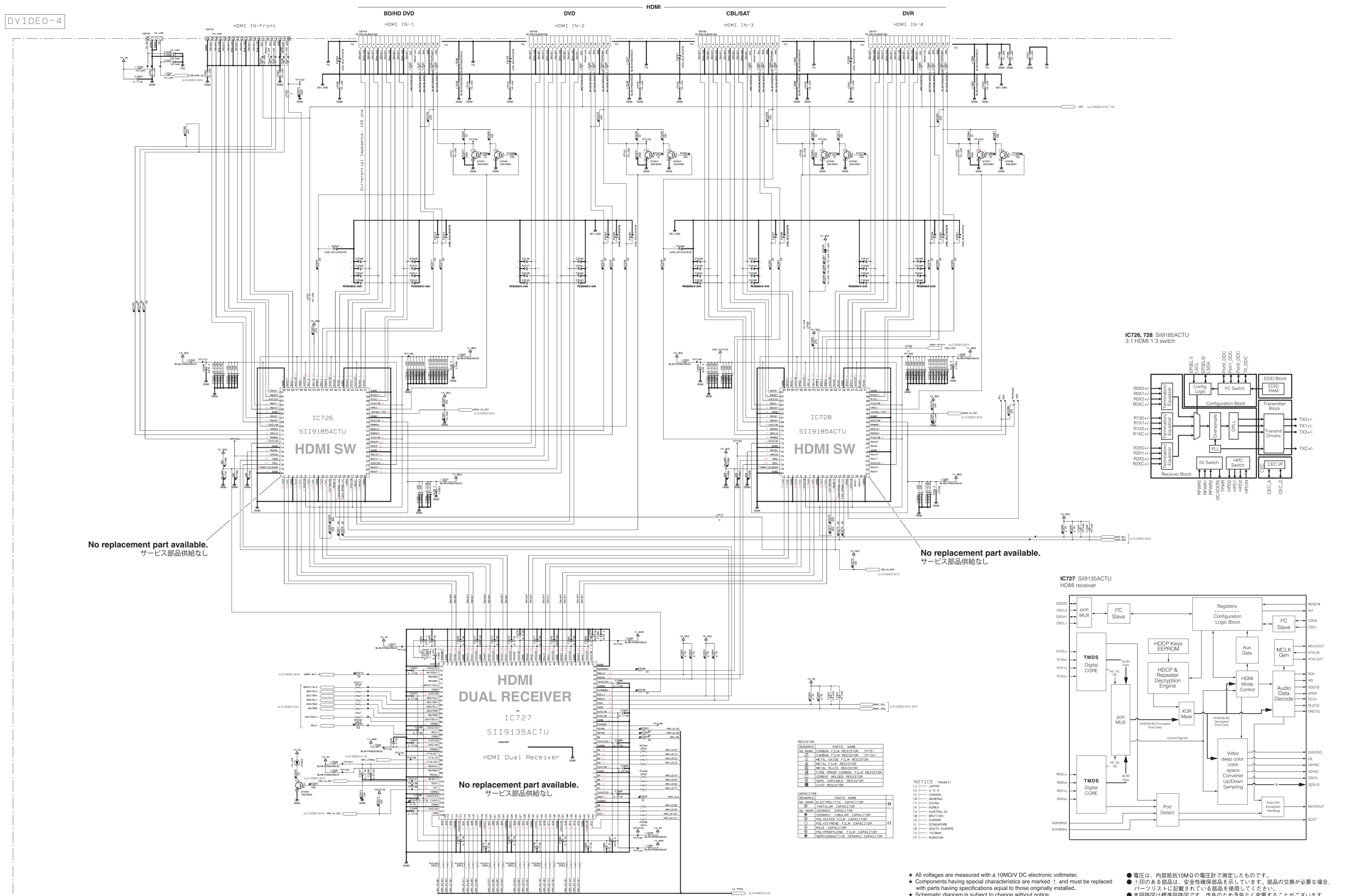


* All voltages are measured with a 10MΩ/V DC electronic voltmeter.
 * Components having special characteristics are marked !, and must be replaced with parts having specifications equal to those originally installed.
 * Schematic diagram is subject to change without notice.

● 電圧は、内部抵抗10MΩの電圧計で測定したものです。
 ● !印のある部品は、安全性確保部品を示しています。部品の交換が必要な場合、パーツリストに記載されている部品を使用してください。
 ● 本回路図は標準回路図です。改良のため予告なく変更することがございます。

D-VIDEO 4/10

DVIDEO-4



No replacement part available. サービス部品供給なし

No replacement part available. サービス部品供給なし

HDMI DUAL RECEIVER
 IC727
 SI19135ACTU
 HDMI Dual Receiver

No replacement part available. サービス部品供給なし

RESISTOR

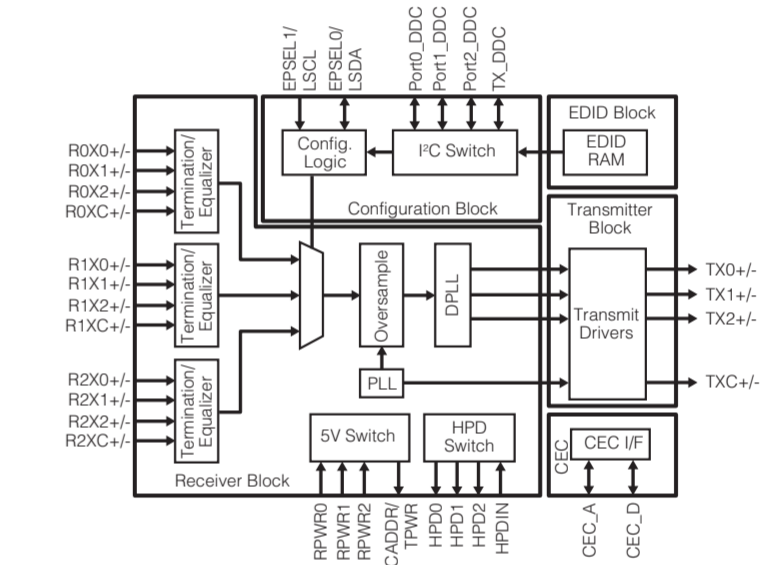
REMARKS	PARTS NAME
NO MARK	CARBON FILM RESISTOR (F-5)
NO MARK	CARBON FILM RESISTOR (F-10)
NO MARK	METAL OXIDE FILM RESISTOR
NO MARK	METAL FILM RESISTOR
NO MARK	METAL OXIDE RESISTOR
NO MARK	FILM PROOF CARBON FILM RESISTOR
NO MARK	CEMENT RESISTOR
NO MARK	SEMI VARIABLE RESISTOR
NO MARK	CHIP RESISTOR

CAPACITOR

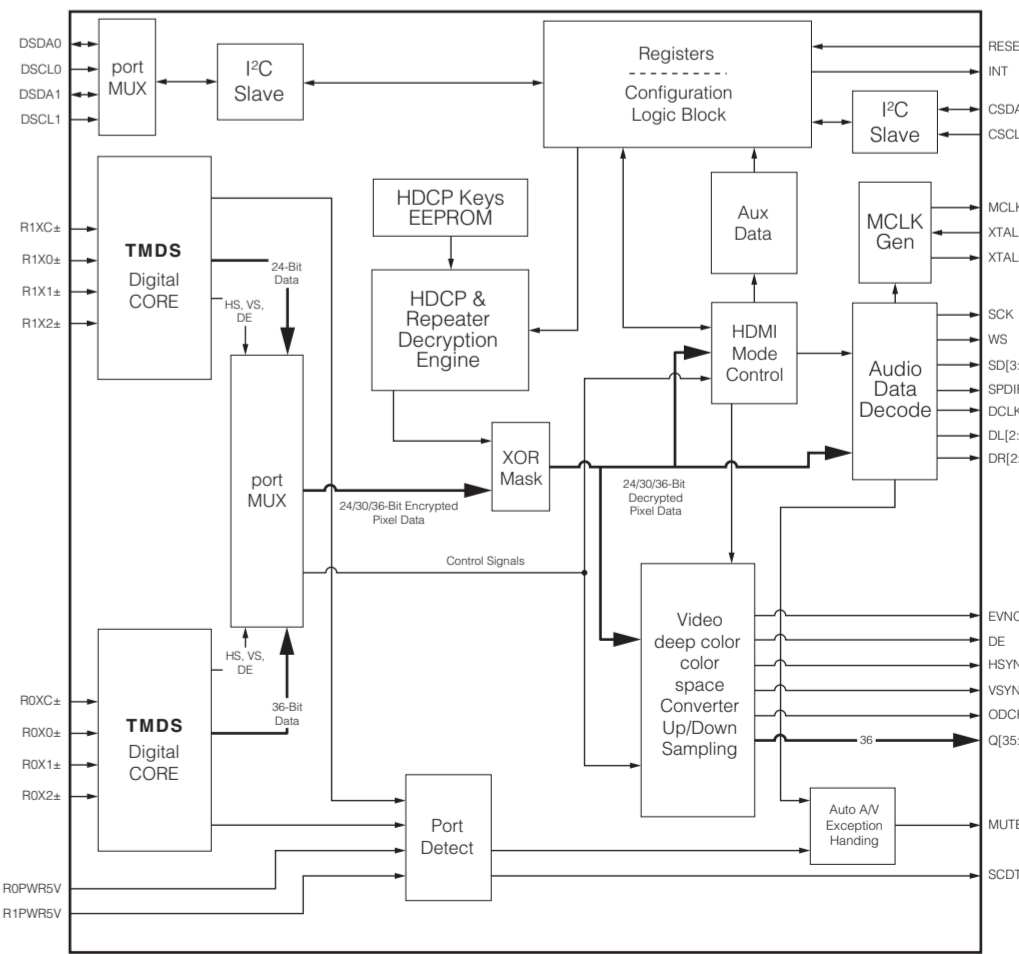
REMARKS	PARTS NAME
NO MARK	SELECTED TPC CAPACITOR
NO MARK	TANALUM CAPACITOR
NO MARK	CERAMIC CAPACITOR
NO MARK	CERAMIC TUBULAR CAPACITOR
NO MARK	POLYESTER FILM CAPACITOR
NO MARK	POLYPROPYLENE FILM CAPACITOR
NO MARK	NICA CAPACITOR
NO MARK	POLYPROPYLENE FILM CAPACITOR
NO MARK	SEMICONDUCTIVE CERAMIC CAPACITOR

NOTICE (a0001)
 (U) JAPAN
 (I) U.S.A.
 (C) CANADA
 (E) GENERAL
 (T) CHINA
 (K) KOREA
 (A) AUSTRALIA
 (B) BRITISH
 (E) EUROPE
 (L) SINGAPORE
 (S) SOUTH EUROPE
 (V) TAIWAN
 (F) RUSSIAN

IC726, 728: SI19185ACTU
 3.1 HDMI 1.3 switch



IC727: SI19135ACTU
 HDMI receiver



★ All voltages are measured with a 10MQ/V DC electronic voltmeter.
 ★ Components having special characteristics are marked with a triangle (▲) and must be replaced with parts having specifications equal to those originally installed.
 ★ Schematic diagram is subject to change without notice.

● 電圧は、内部抵抗10MQの電圧計で測定したものです。
 ● ▲印のある部品は、安全性確保部品を示しています。部品の交換が必要な場合、パーツリストに記載されている部品を使用してください。
 ● 本回路図は標準回路図です。改良のため予告なく変更することがございます。

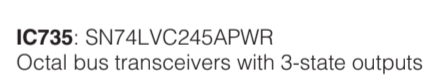
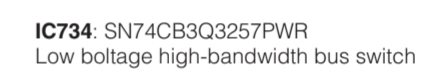
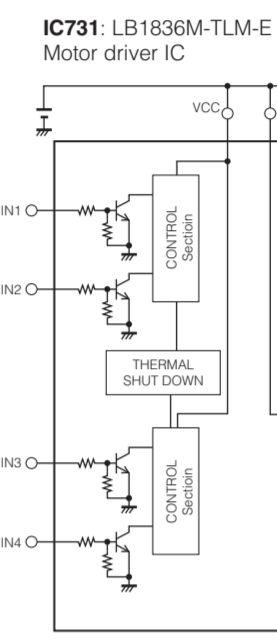
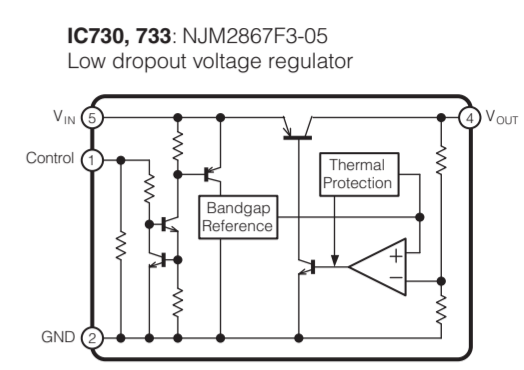
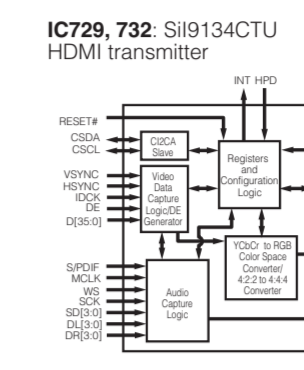
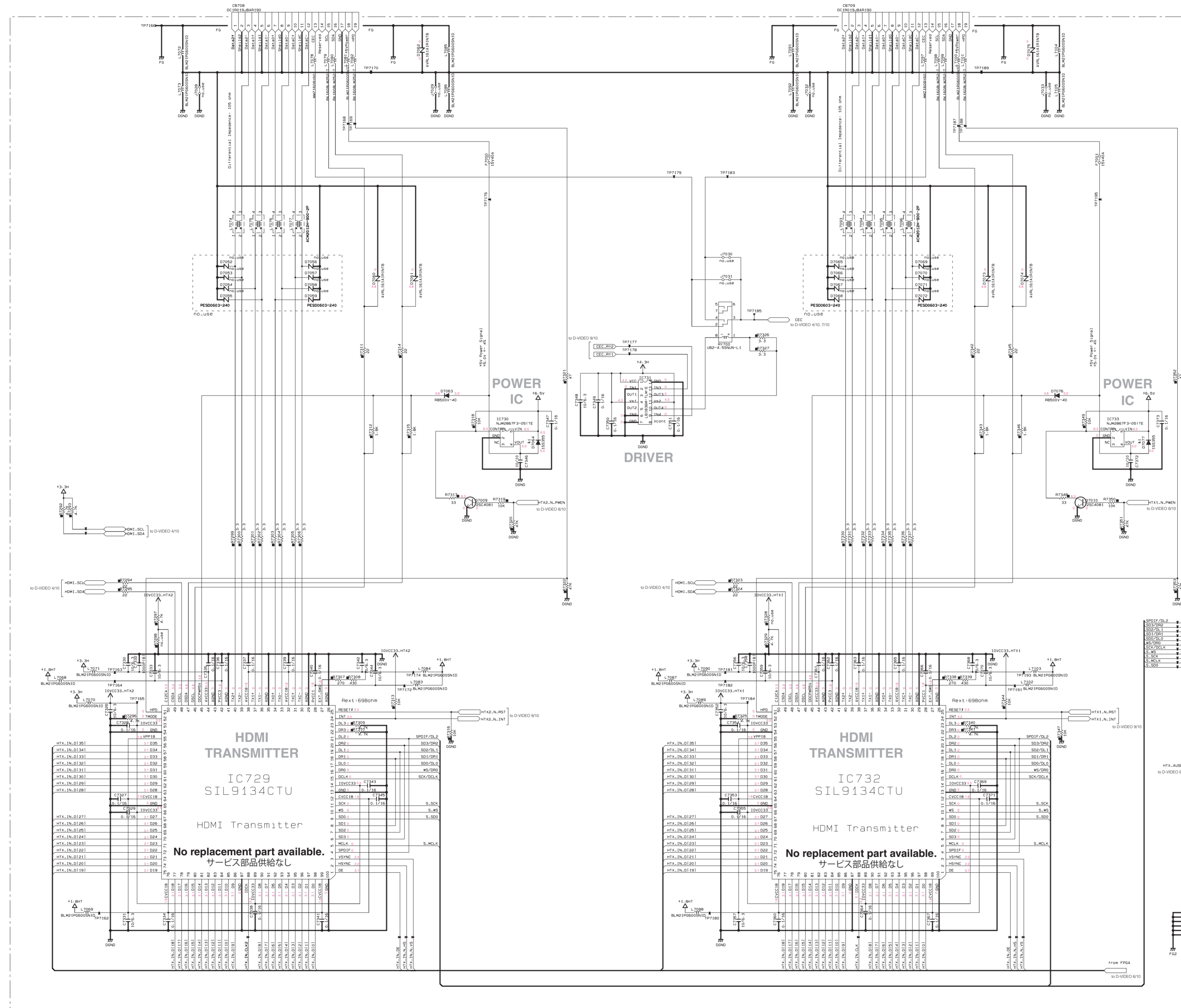
D-VIDEO 5/10

DVIDEO-5

HDMI OUT1

HDMI

HDMI OUT2



No replacement part available. サービス部品供給なし

No replacement part available. サービス部品供給なし

REMARKS	PARTS NAME	REMARKS	PARTS NAME
NO MARK	CARBON FILM RESISTOR (P-5)	NO MARK	ELECTROLYTIC CAPACITOR
⊠	CARBON FILM RESISTOR (P-10)	⊠	TANTALUM CAPACITOR
△	METAL OXIDE FILM RESISTOR	NO MARK	CERAMIC CAPACITOR
⊙	METAL FILM RESISTOR	⊙	CERAMIC TUBULAR CAPACITOR
□	METAL PLATE RESISTOR	○	POLYESTER FILM CAPACITOR
▢	FIRE PROOF CARBON FILM RESISTOR	○	POLYESTER FILM CAPACITOR
■	CEMENT MOLDED RESISTOR	○	MICA CAPACITOR
◻	SEMI VARIABLE RESISTOR	○	POLYPROPYLENE FILM CAPACITOR
◻	CHIP RESISTOR	○	SEMICONDUCTIVE CERAMIC CAPACITOR

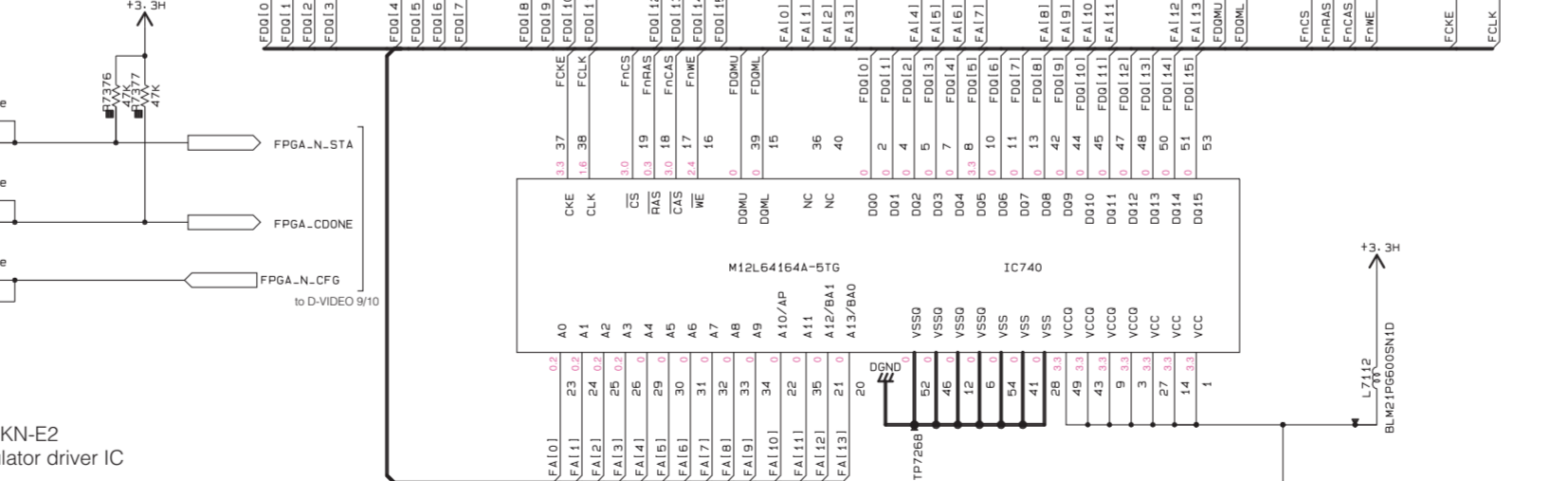
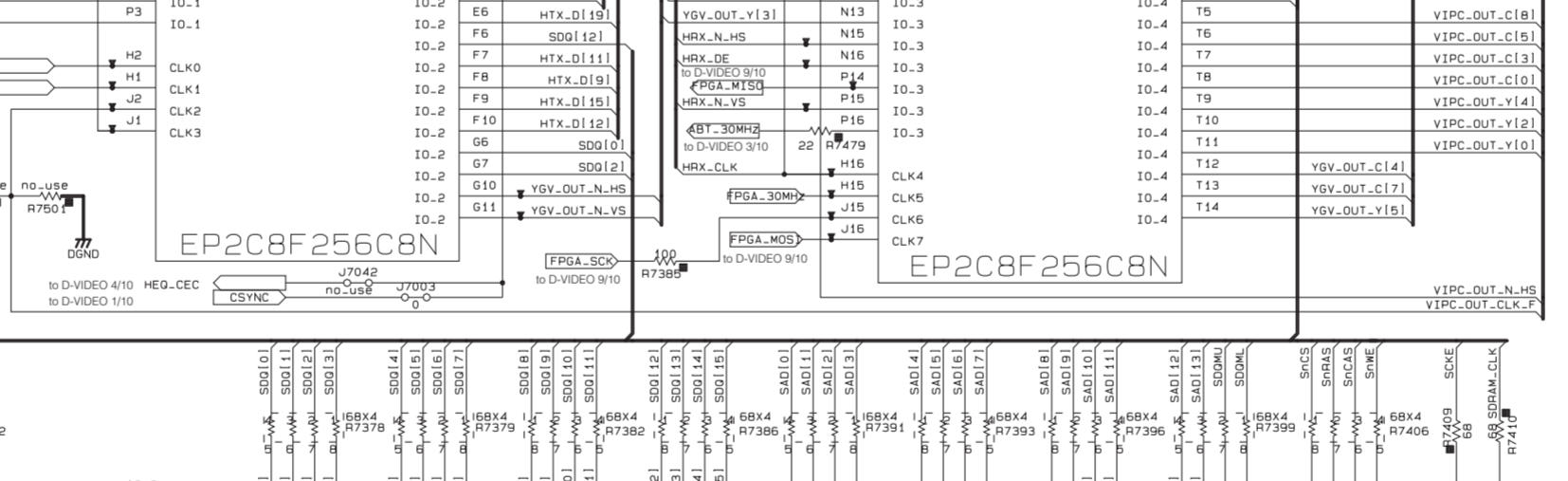
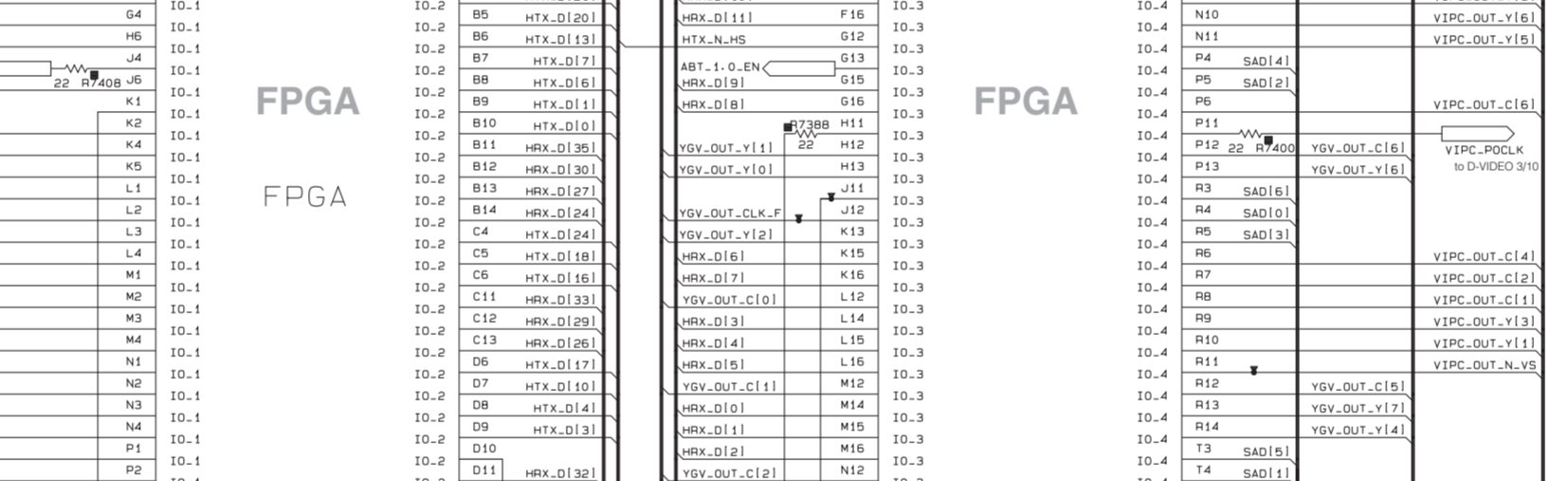
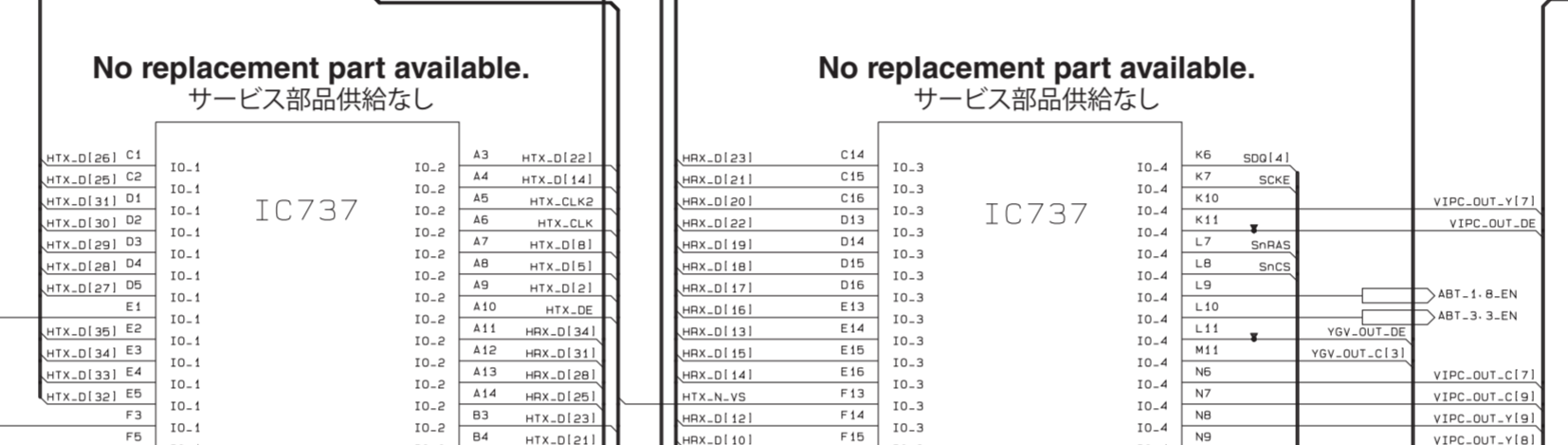
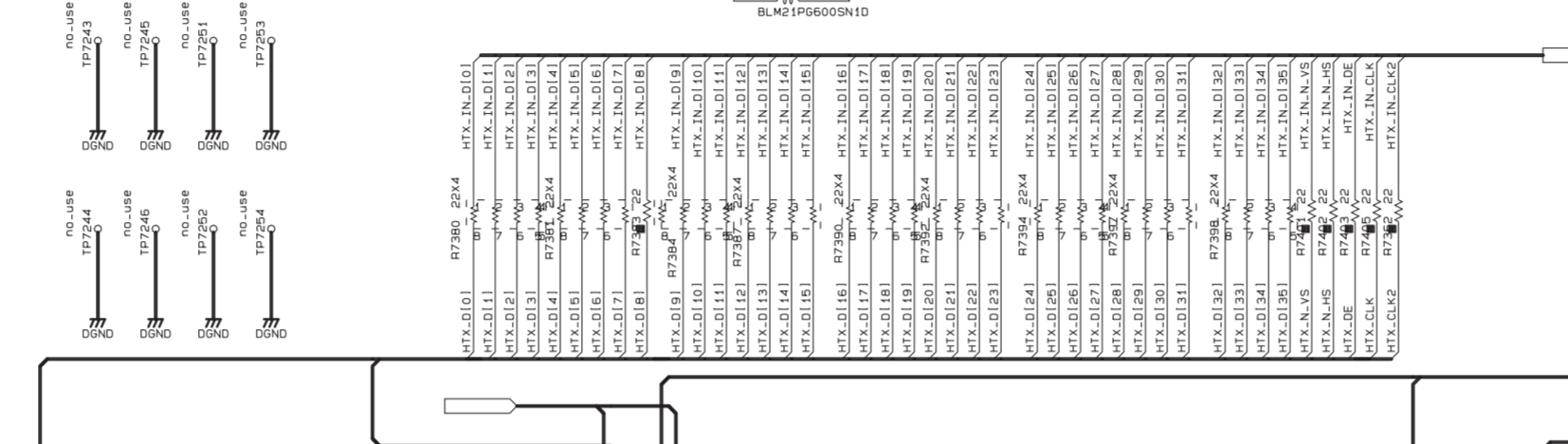
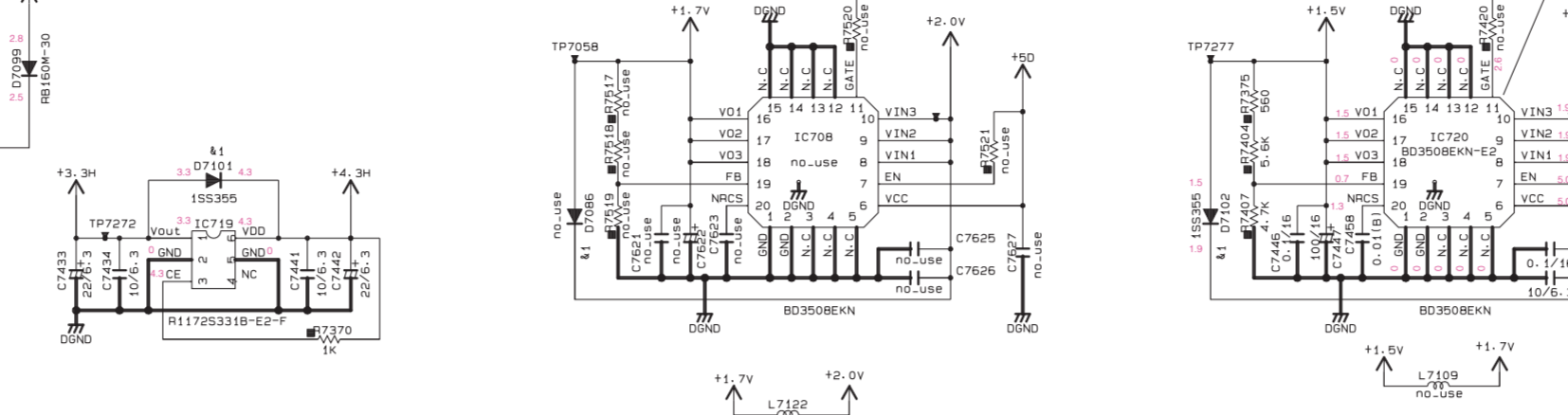
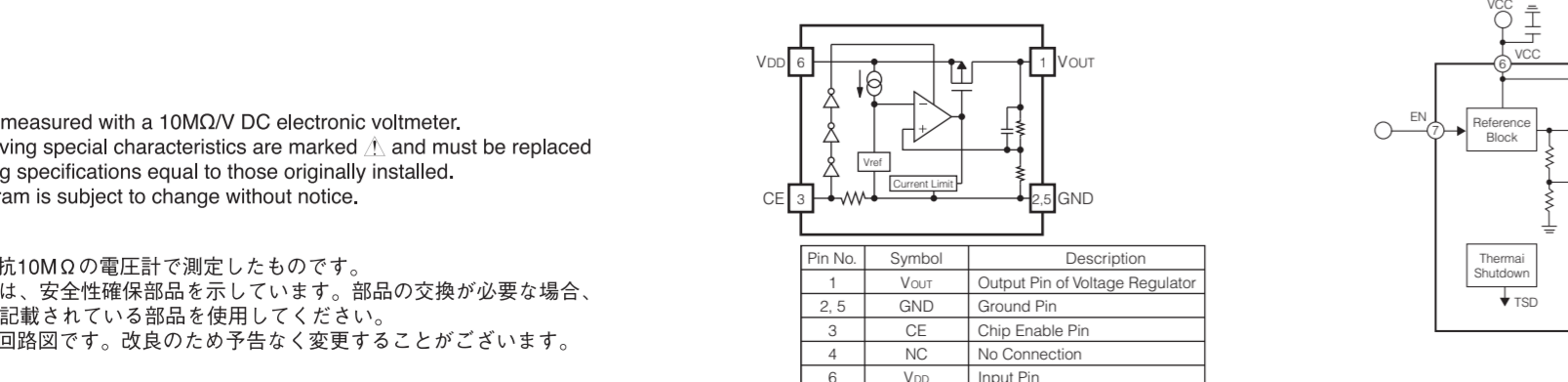
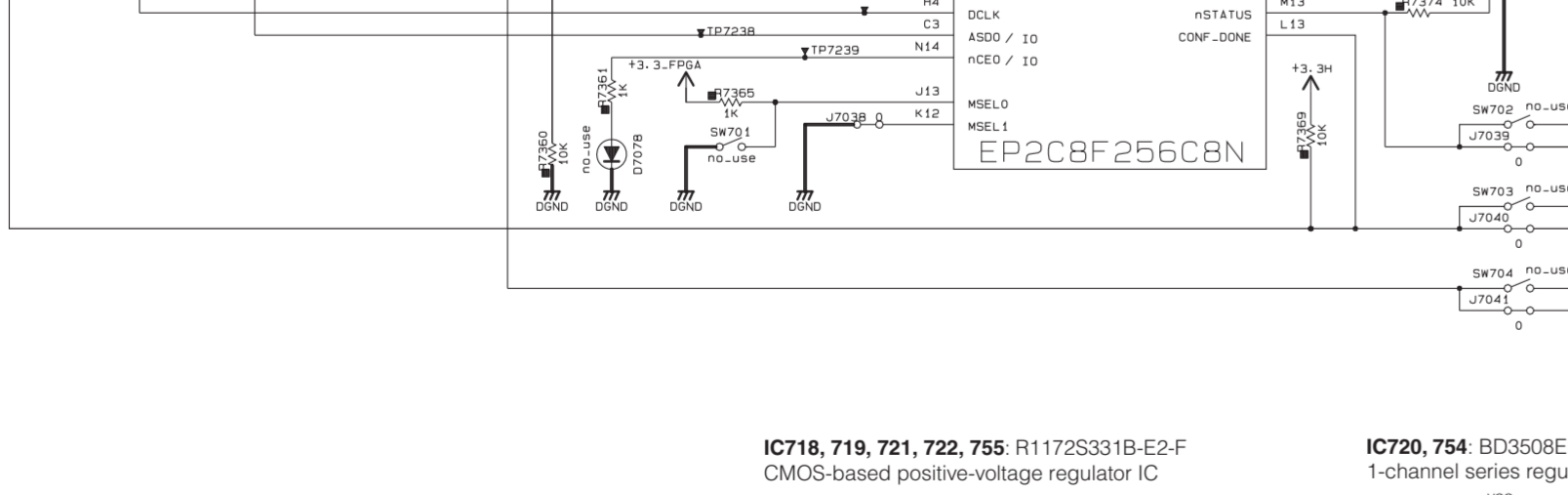
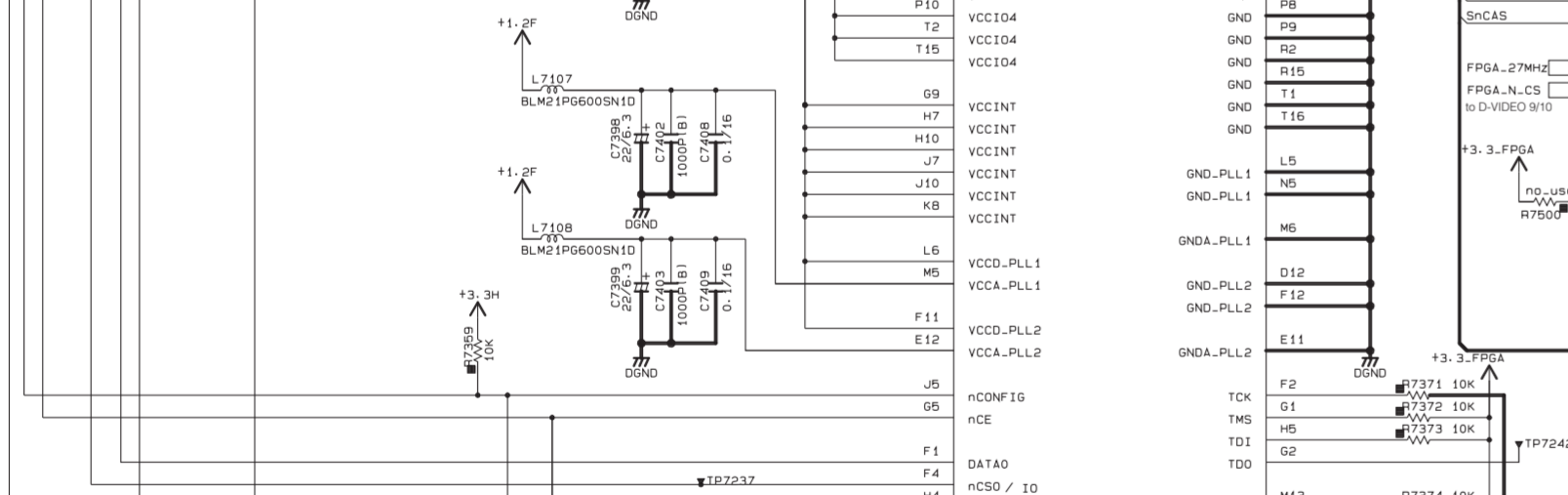
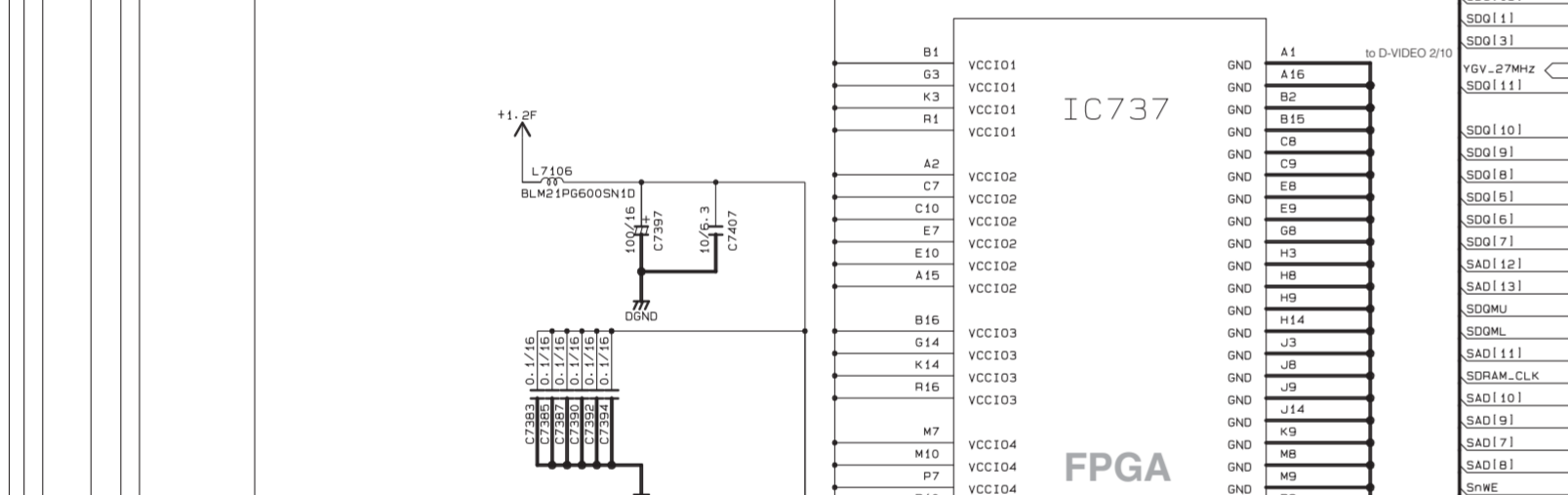
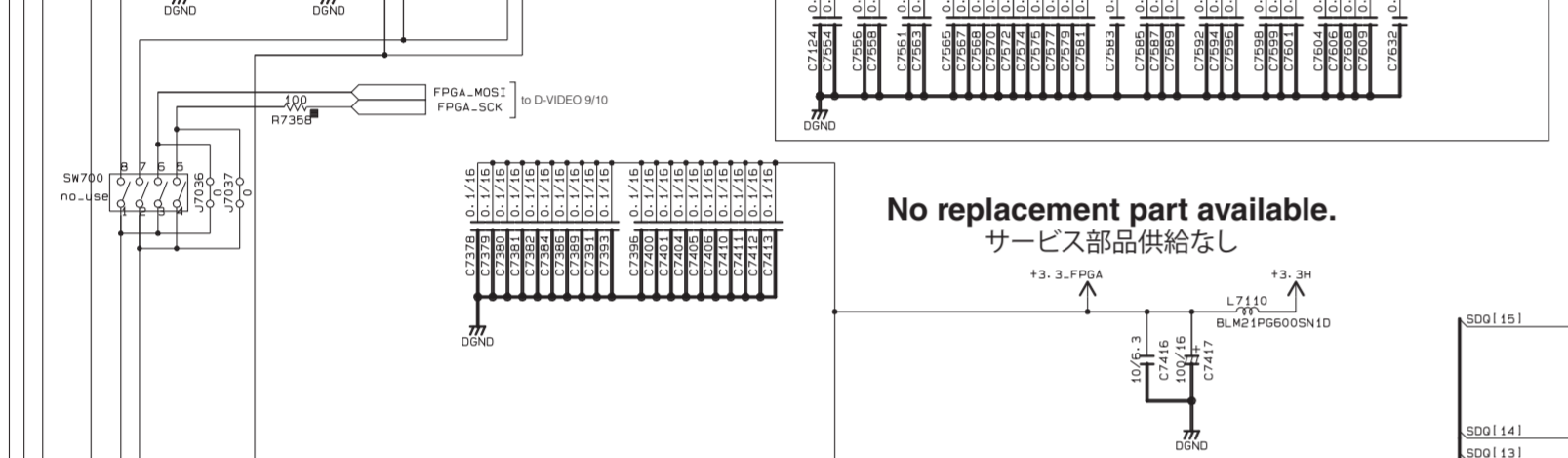
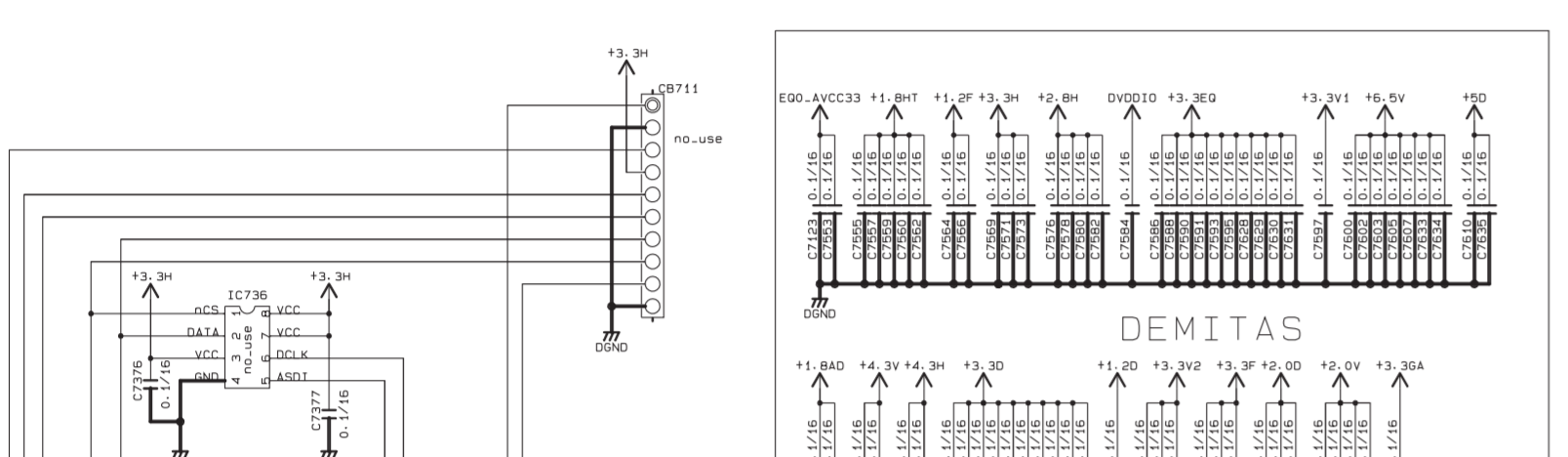
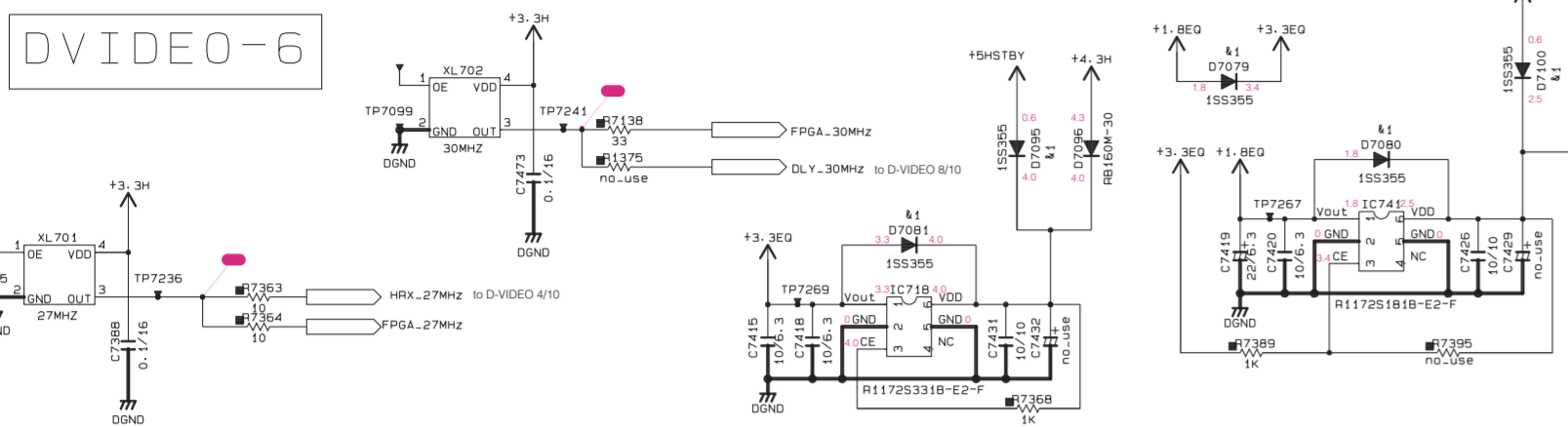
NOTICE [mode1]
 (J)..... JAPAN
 (U)..... U.S.A
 (C)..... CANADA
 (R)..... GENERAL
 (T)..... CHINA
 (K)..... KOREA
 (A)..... AUSTRALIA
 (B)..... BRITISH
 (G)..... EUROPE
 (L)..... SINGAPORE
 (E)..... SOUTH EUROPE
 (V)..... TAIWAN
 (F)..... RUSSIAN

★ All voltages are measured with a 10M Ω DC electronic voltmeter.
 ★ Components having special characteristics are marked !, and must be replaced with parts having specifications equal to those originally installed.
 ★ Schematic diagram is subject to change without notice.

● 電圧は、内部抵抗10M Ω の電圧計で測定したものです。
 ● !印のある部品は、安全性確保部品を示しています。部品の交換が必要な場合、パーツリストに記載されている部品を使用してください。
 ● 本回路図は標準回路図です。改良のため予告なく変更することがございます。

D-VIDEO 6/10

DVIDEO-6



No replacement part available. サービス部品供給なし

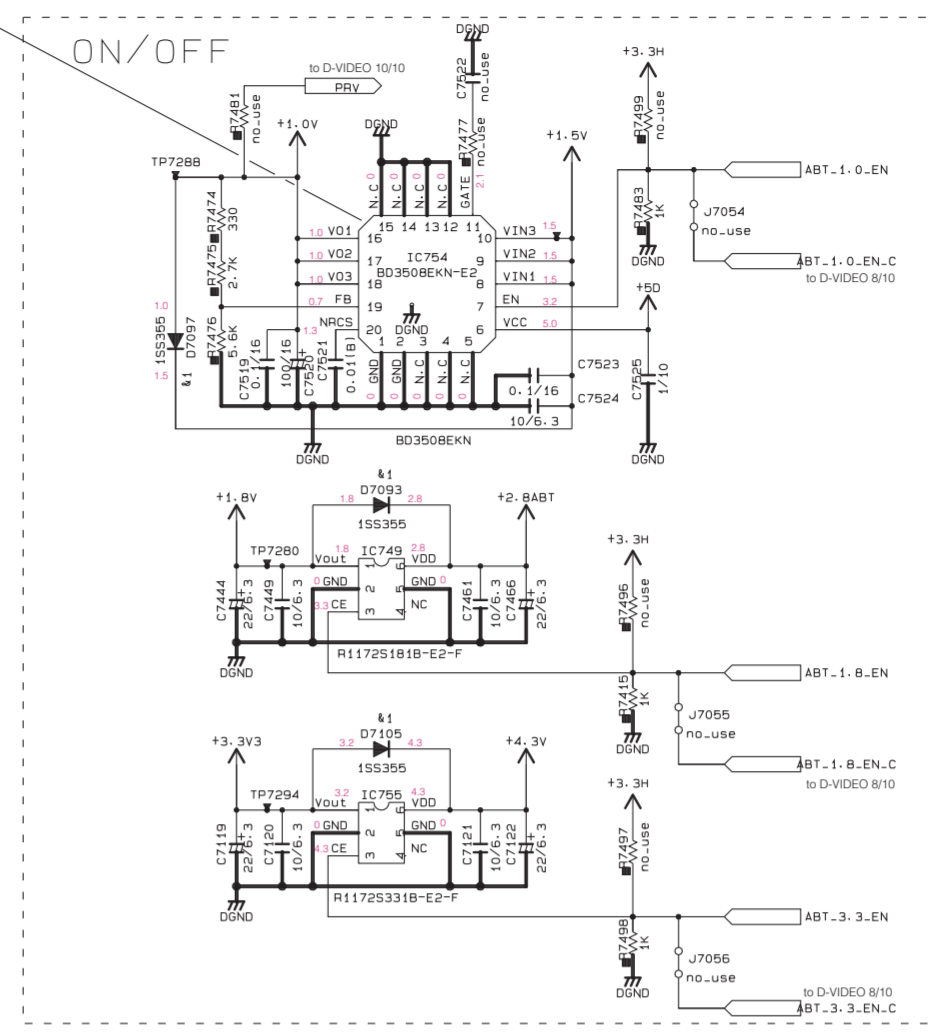


Table with 2 columns: REMARKS, PARTS NAME. Lists various resistor types like CARBON FILM RESISTOR, METAL OXIDE FILM RESISTOR, etc.

Table with 2 columns: REMARKS, PARTS NAME. Lists various capacitor types like ELECTROLYTIC CAPACITOR, TANTALUM CAPACITOR, etc.

NOTICE (model) (J)..... JAPAN (U)..... U.S.A (C)..... CANADA (R)..... GENERAL (T)..... CHINA (K)..... KOREA (A)..... AUSTRALIA (B)..... BRITISH (E)..... EUROPE (L)..... SINGAPORE (E)..... SOUTH EUROPE (V)..... TAIWAN (F)..... RUSSIAN

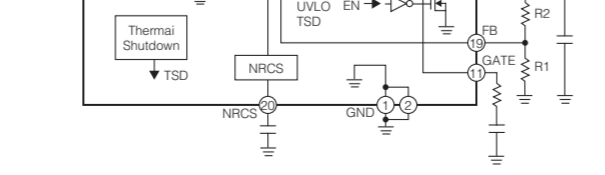
No replacement part available. サービス部品供給なし

No replacement part available. サービス部品供給なし

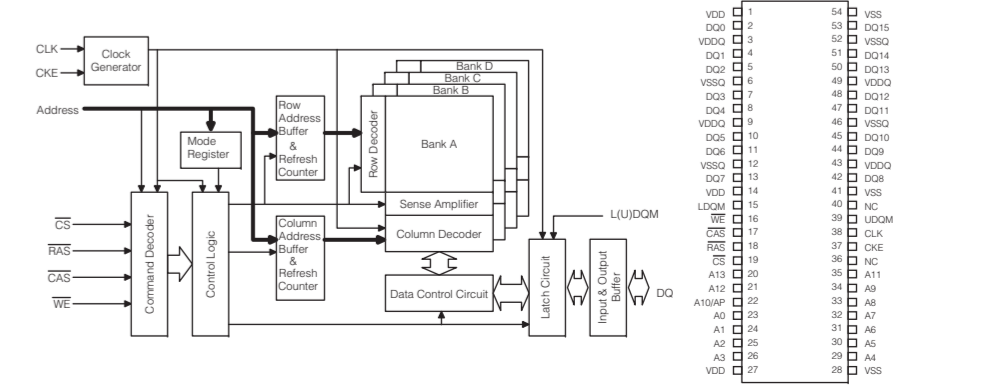
All voltages are measured with a 10MQ/V DC electronic voltmeter. Components having special characteristics are marked with a triangle and must be replaced with parts having specifications equal to those originally installed. Schematic diagram is subject to change without notice.

電圧は、内部抵抗10MQの電圧計で測定したものです。印のある部品は、安全性確保部品を示しています。部品の交換が必要な場合、パーツリストに記載されている部品を使用してください。本回路図は標準回路図です。改良のため予告なく変更することがございます。

Table with 4 columns: Pin No., Symbol, Description. Lists pins 1 (Vout), 2, 5 (GND), 3 (CE), 4 (NC), 6 (Vcc) for the voltage regulator.

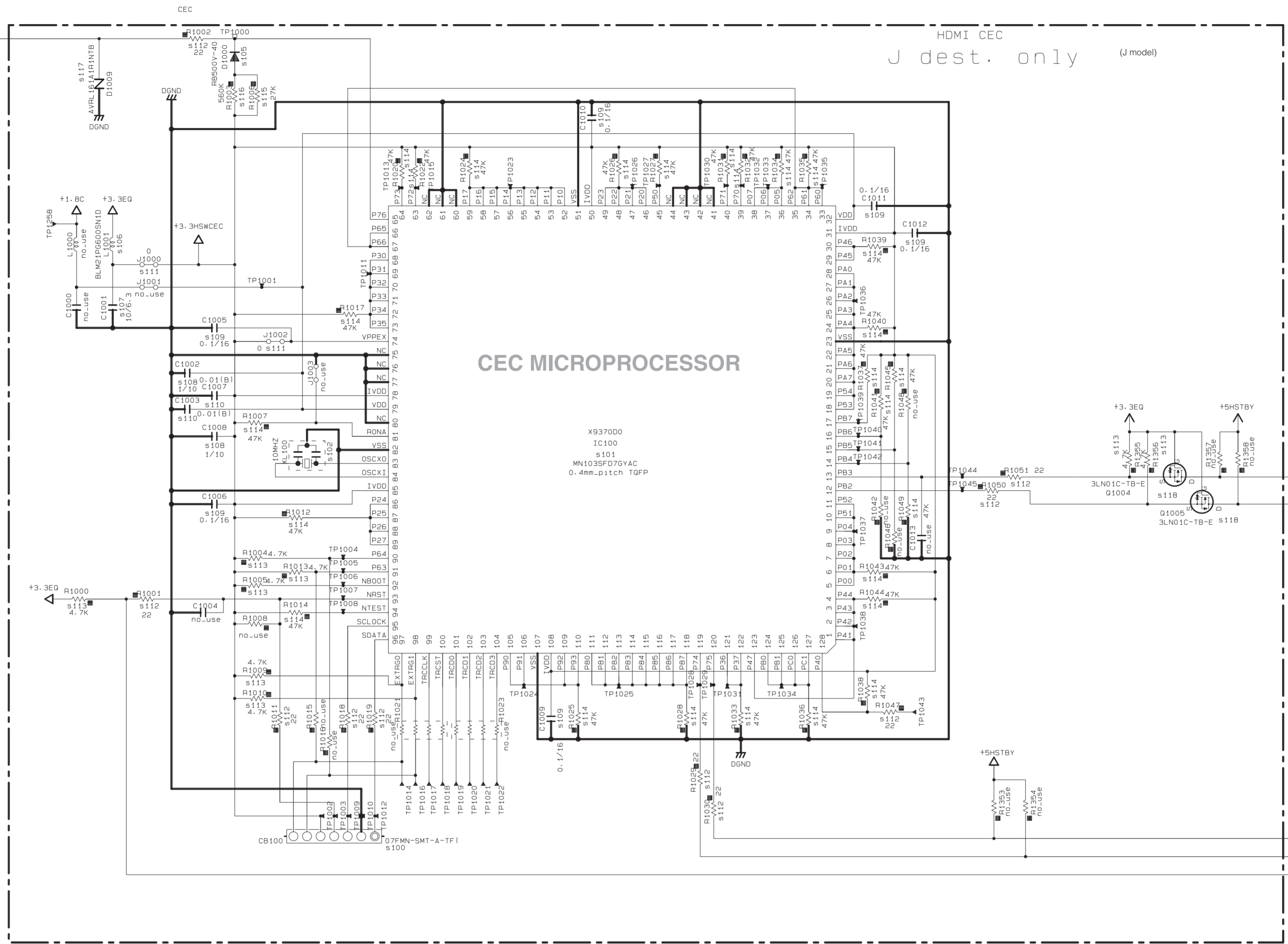


IC740: M12L64164A-5TG 1M x 16-bit x 4 banks synchronous DRAM



D-VIDEO 7/10

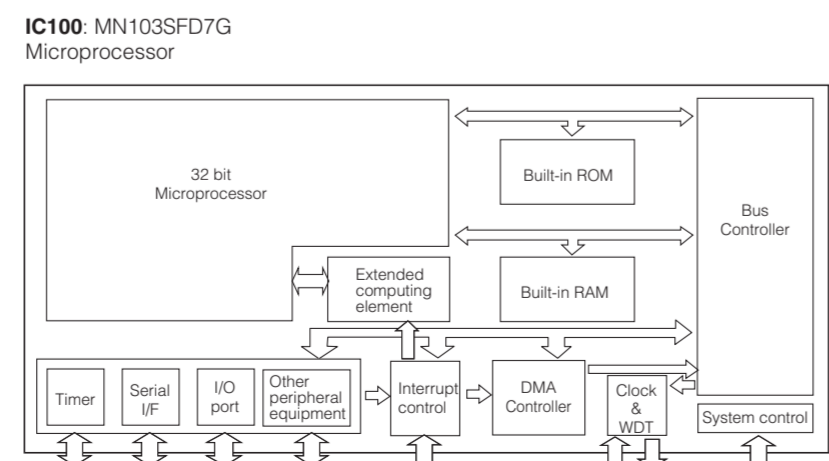
sXX	LOC	J	U
s100	CB100	WA90070 07FMN-SMT-A-TF I	X
s101	IC100	X937000 MN103SFD7GAC	X
s102	XL100	WM22790 10MHZ	X
s105	D1000	V237660 RB500V-40	X
s106	L1001	V244990 BLM21P6600SNDI	X
s107	C1001	WG88930	X
s108	C1008	US12510 1/10	X
s109	C1011 C1005 C1012 C1009 C1010 C1006	US63510 0.1/16	X
s110	C1003 C1007	US06410 0.011B1	X
s111	J1002 J1000	RD35000 0	X
s112	R1029 R1030 R1019 R1018 R1047 R1011 R1001 R1050 R1051 R1002	RD35422 22	X
s113	R1013 R1356 R1004 R1010 R1009 R1005 R1355 R1000	RD35647 4.7K	X
s114	R1026 R1034 R1033 R1028 R1027 R1007 R1032 R1012 R1017 R1031 R1014 R1035 R1030 R1036 R1038 R1049 R1024 R1025 R1043 R1044 R1039 R1040 R1041 R1037 R1022	RD35747 47K	X
s115	R1006	RF45727 27K	X
s116	R1003	RF45856 560K	X
s117	D1009	WE57480 AVRL16141B1NTB1	X
s118	Q1004 Q1005	3LN01C-TB-E	X



REMARKS	PARTS NAME
NO MARK	CARBON FILM RESISTOR (P=5)
□	CARBON FILM RESISTOR (P=10)
△	METAL OXIDE FILM RESISTOR
⊠	METAL FILM RESISTOR
⊞	METAL PLATE RESISTOR
⊞	FIRE PROOF CARBON FILM RESISTOR
⊞	CEMENT MOLDED RESISTOR
⊞	SEMI VARIABLE RESISTOR
■	CHIP RESISTOR

REMARKS	PARTS NAME
NO MARK	ELECTROLYTIC CAPACITOR
⊗	TANTALUM CAPACITOR
NO MARK	CERAMIC CAPACITOR
●	CERAMIC TUBULAR CAPACITOR
⊙	POLYESTER FILM CAPACITOR
○	POLYSTYRENE FILM CAPACITOR
⊖	MICA CAPACITOR
⊖	POLYPROPYLENE FILM CAPACITOR
●	SEMICONDUCTIVE CERAMIC CAPACITOR

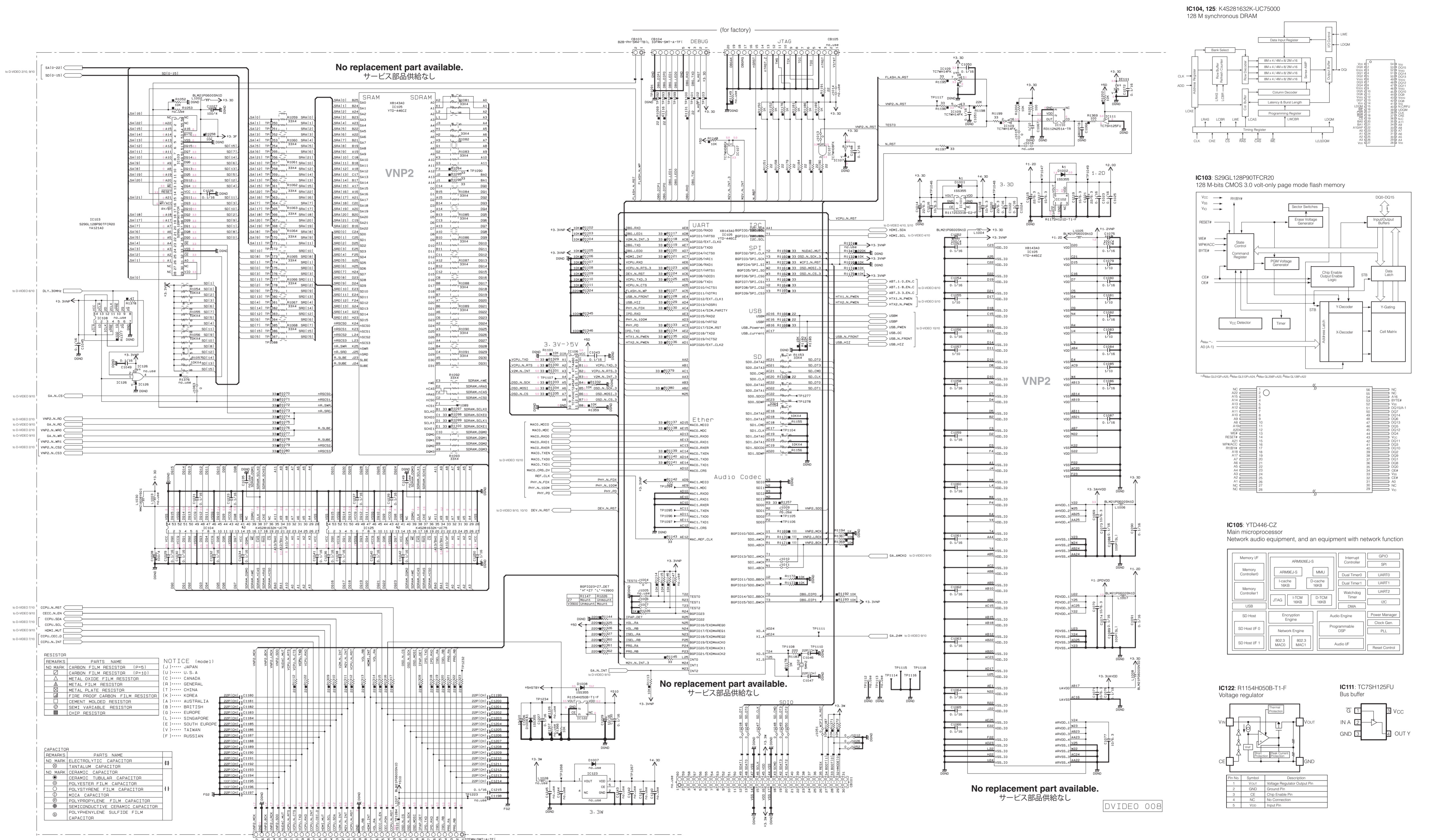
NOTICE (mode1)
 (J)..... JAPAN
 (U)..... U.S.A
 (C)..... CANADA
 (R)..... GENERAL
 (T)..... CHINA
 (K)..... KOREA
 (A)..... AUSTRALIA
 (B)..... BRITISH
 (G)..... EUROPE
 (L)..... SINGAPORE
 (E)..... SOUTH EUROPE
 (V)..... TAIWAN
 (F)..... RUSSIAN



DVIDEO-7

- ★ All voltages are measured with a 10MΩ/V DC electronic voltmeter.
- ★ Components having special characteristics are marked with a triangle (▲) and must be replaced with parts having specifications equal to those originally installed.
- ★ Schematic diagram is subject to change without notice.
- 電圧は、内部抵抗10MΩの電圧計で測定したものです。
- 印のある部品は、安全確保部品を示しています。部品の交換が必要な場合、パーツリストに記載されている部品を使用してください。
- 本回路図は標準回路図です。改良のため予告なく変更することがございます。

D-VIDEO 8/10



No replacement part available. サービス部品供給なし

No replacement part available. サービス部品供給なし

No replacement part available. サービス部品供給なし

RESISTOR

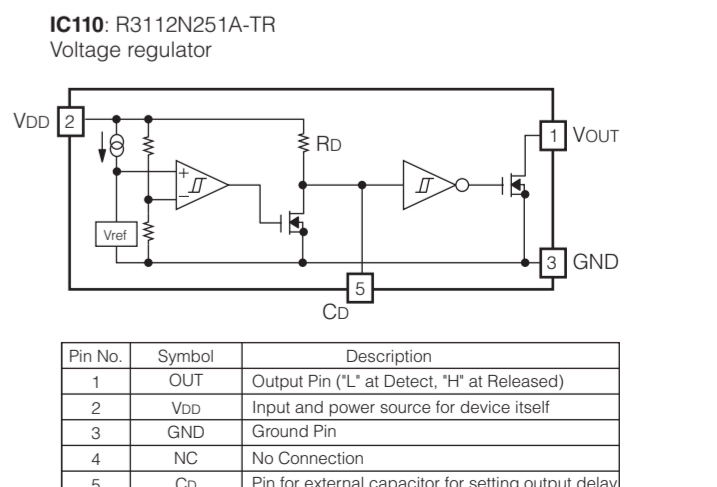
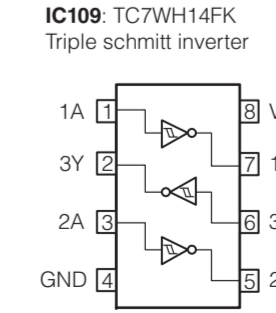
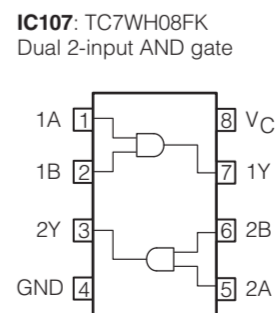
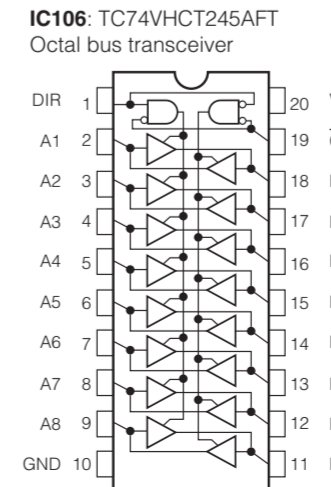
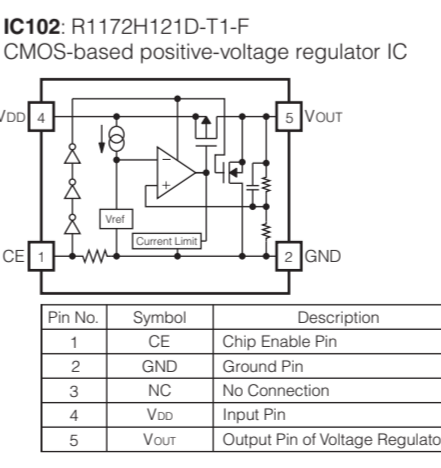
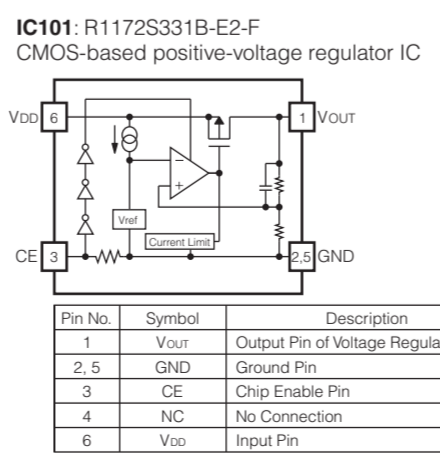
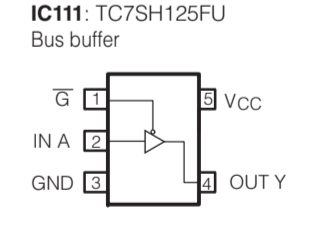
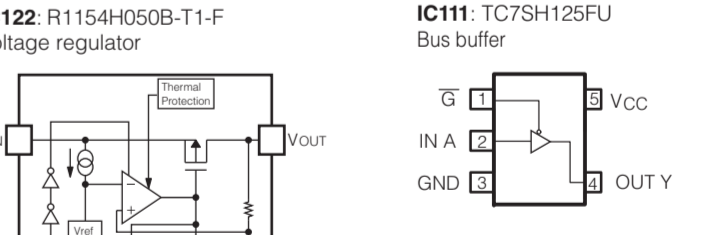
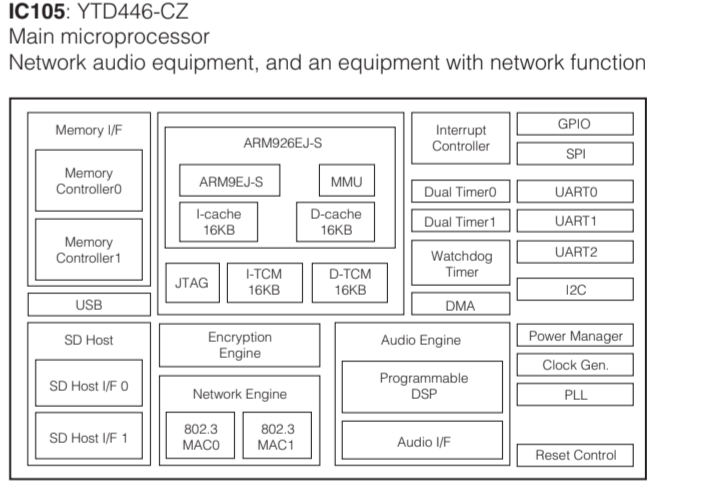
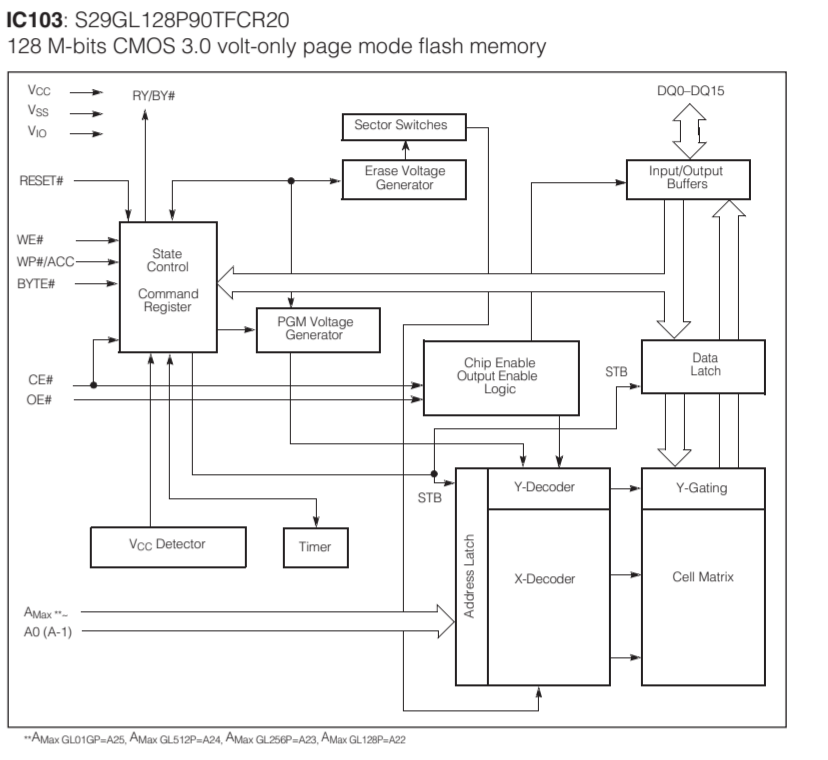
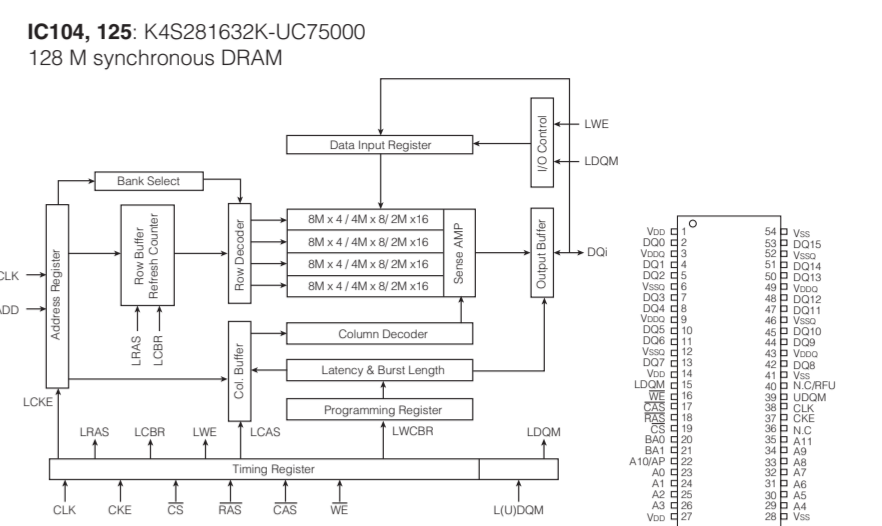
REMARKS	PARTS NAME
NO MARK	CARBON FILM RESISTOR (P=5)
⊖	CARBON FILM RESISTOR (P=10)
△	METAL OXIDE FILM RESISTOR
⊠	METAL FILM RESISTOR
⊡	METAL PLATE RESISTOR
⊞	FIRE PROOF CARBON FILM RESISTOR
⊚	CEMENT MOLDED RESISTOR
⊛	SEMI VARIABLE RESISTOR
⊜	CHIP RESISTOR

NOTICE (model)

(J)..... JAPAN
 (U)..... U.S.A.
 (C)..... CANADA
 (R)..... GENERAL
 (T)..... CHINA
 (K)..... KOREA
 (A)..... AUSTRALIA
 (B)..... BRITISH
 (E)..... EUROPE
 (L)..... SINGAPORE
 (S)..... SOUTH EUROPE
 (V)..... TAIWAN
 (F)..... RUSSIAN

CAPACITOR

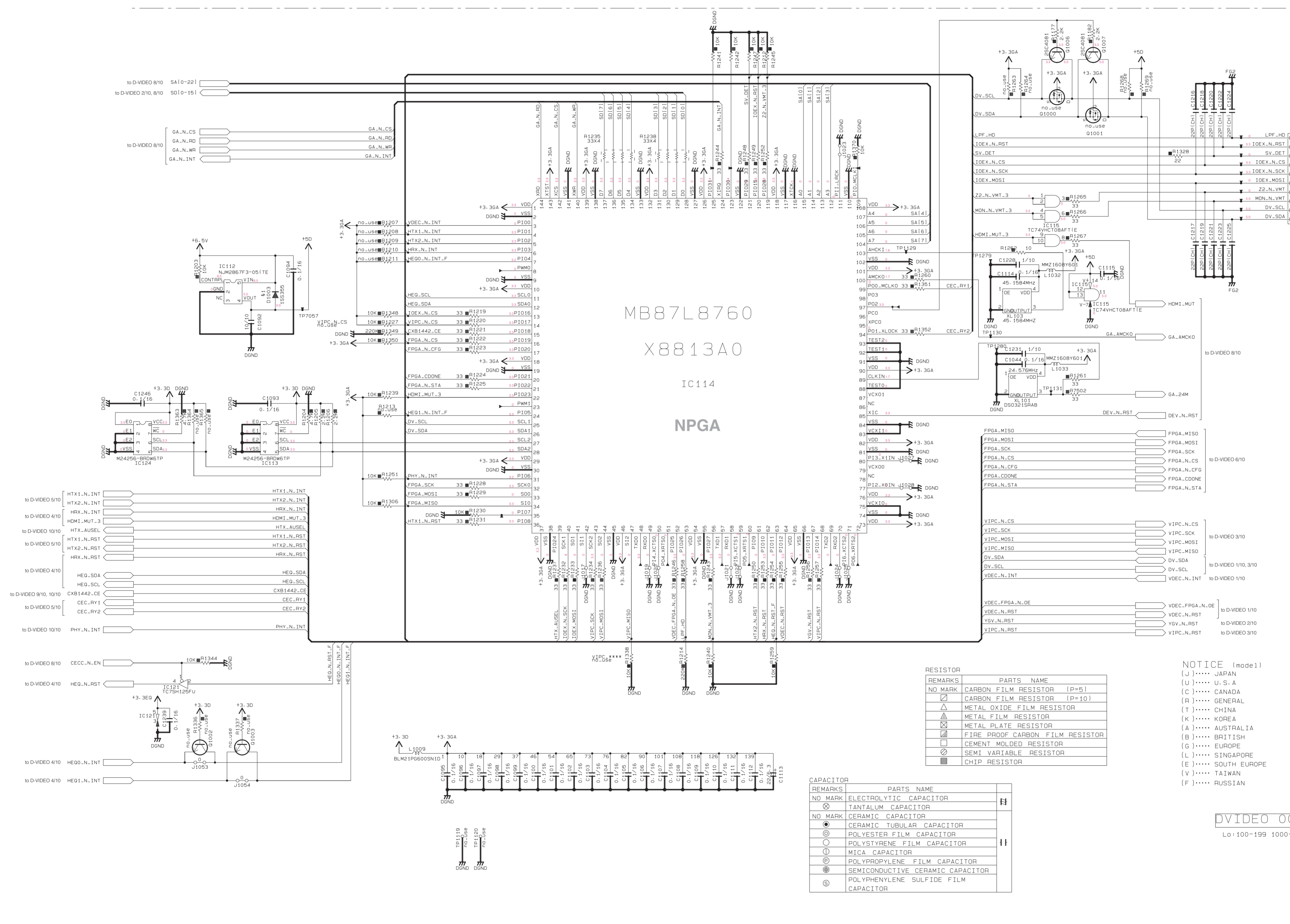
REMARKS	PARTS NAME
NO MARK	ELECTROLYTIC CAPACITOR
⊖	TANTALUM CAPACITOR
⊙	CERAMIC TUBULAR CAPACITOR
⊚	POLYESTER FILM CAPACITOR
⊛	POLYSTYRENE FILM CAPACITOR
⊜	MICA CAPACITOR
⊞	POLYPROPYLENE FILM CAPACITOR
⊚	SEMICONDUCTIVE CERAMIC CAPACITOR
⊛	POLYPHENYLENE SULFIDE FILM CAPACITOR



* All voltages are measured with a 10MΩ/V DC electronic voltmeter.
 * Components having special characteristics are marked △ and must be replaced with parts having specifications equal to those originally installed.
 * Schematic diagram is subject to change without notice.

●電圧は、内部抵抗10MΩの電圧計で測定したものです。
 ●△印のある部品は、安全性確保部品を示しています。部品の交換が必要な場合、パーツリストに記載されている部品を使用してください。
 ●本回路図は標準回路図です。改良のため予告なく変更することがございます。

D-VIDEO 9/10



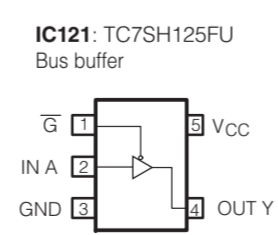
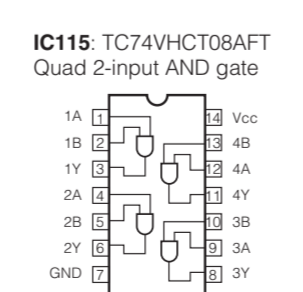
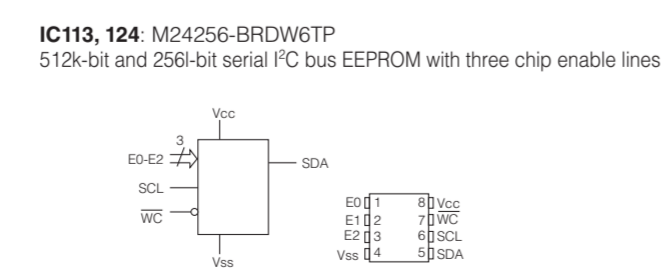
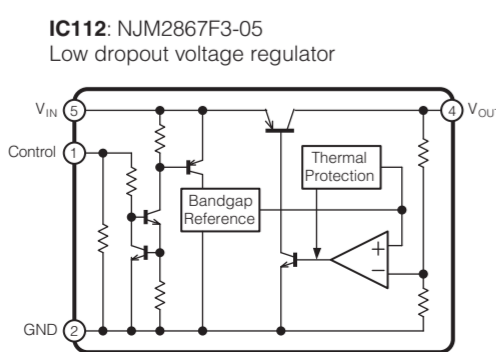
MB87L8760
X8813A0
IC114
NPGA

REMARKS	PARTS NAME
NO MARK	CARBON FILM RESISTOR (P=5)
⊠	CARBON FILM RESISTOR (P=10)
△	METAL OXIDE FILM RESISTOR
⊞	METAL FILM RESISTOR
⊞	METAL PLATE RESISTOR
⊞	FIRE PROOF CARBON FILM RESISTOR
⊞	CEMENT MOLDED RESISTOR
⊞	SEMI VARIABLE RESISTOR
⊞	CHIP RESISTOR

REMARKS	PARTS NAME
NO MARK	ELECTROLYTIC CAPACITOR
⊗	TANTALUM CAPACITOR
NO MARK	CERAMIC CAPACITOR
⊙	CERAMIC TUBULAR CAPACITOR
⊙	POLYESTER FILM CAPACITOR
⊙	POLYSTYRENE FILM CAPACITOR
⊙	MICA CAPACITOR
⊙	POLYPROPYLENE FILM CAPACITOR
⊙	SEMICONDUCTIVE CERAMIC CAPACITOR
⊙	POLYPHENYLENE SULFIDE FILM CAPACITOR

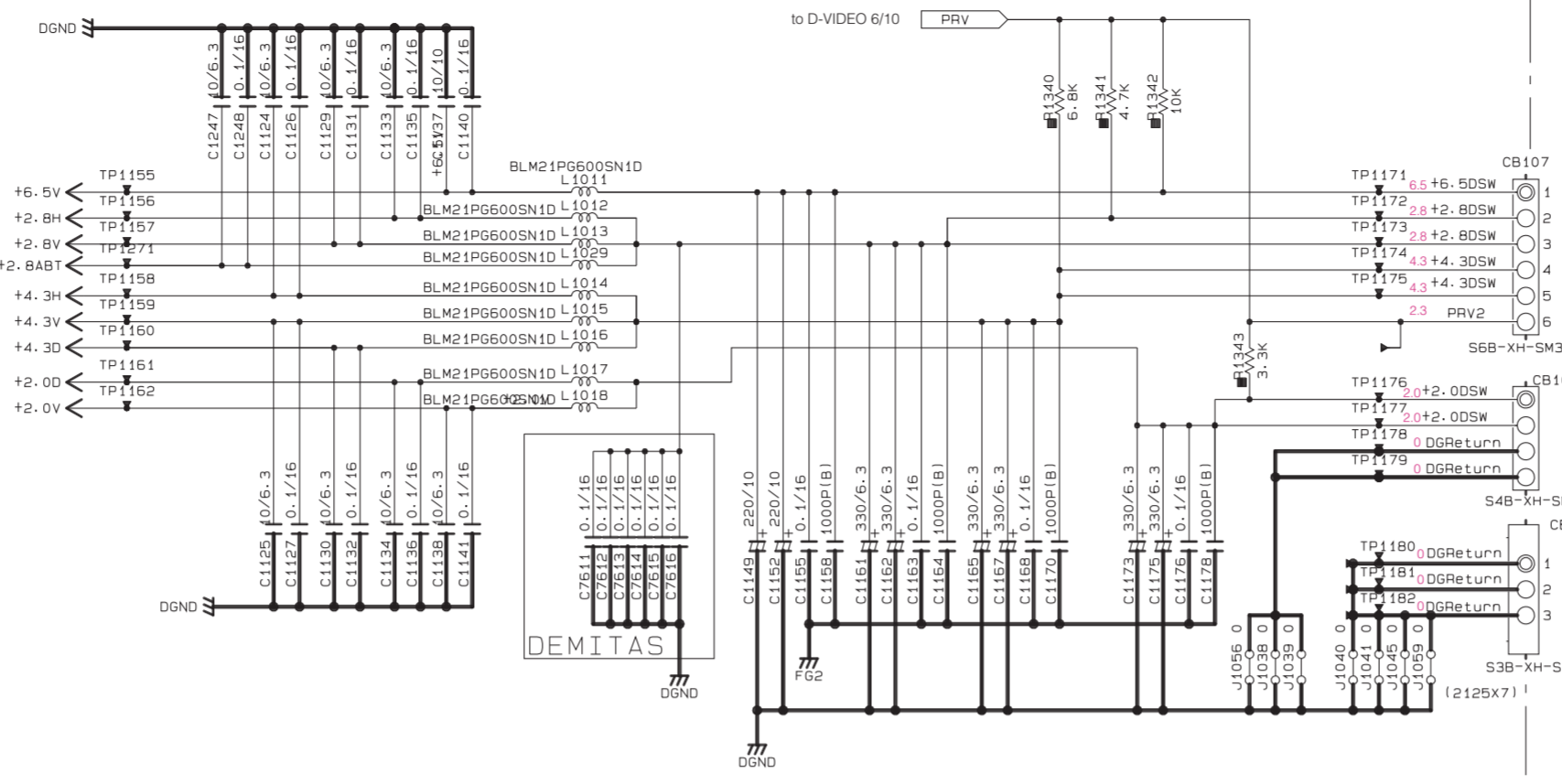
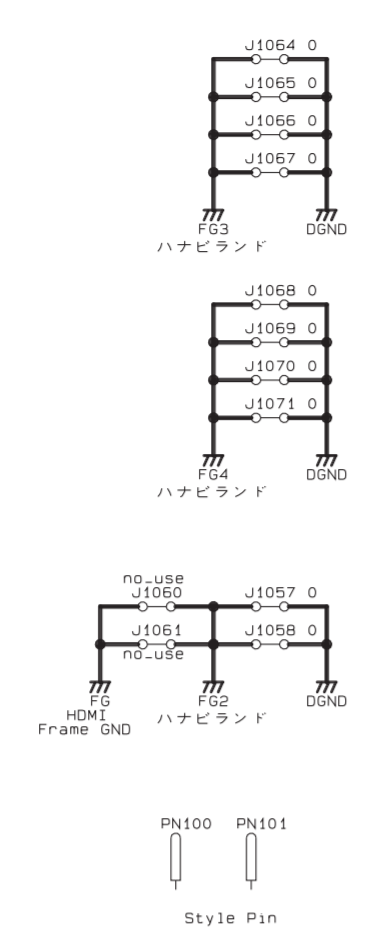
NOTICE (mode1)
(J)..... JAPAN
(U)..... U.S.A
(C)..... CANADA
(R)..... GENERAL
(T)..... CHINA
(K)..... KOREA
(A)..... AUSTRALIA
(B)..... BRITISH
(G)..... EUROPE
(L)..... SINGAPORE
(E)..... SOUTH EUROPE
(V)..... TAIWAN
(F)..... RUSSIAN

DVIDEO 009
Lo:100-199 1000-1999



- ★ All voltages are measured with a 10MΩ/V DC electronic voltmeter.
- ★ Components having special characteristics are marked ⊠ and must be replaced with parts having specifications equal to those originally installed.
- ★ Schematic diagram is subject to change without notice.
- 電圧は、内部抵抗10MΩの電圧計で測定したものです。
- ⊠印のある部品は、安全性確保部品を示しています。部品の交換が必要な場合、パーツリストに記載されている部品を使用してください。
- 本回路図は標準回路図です。改良のため予告なく変更することがございます。

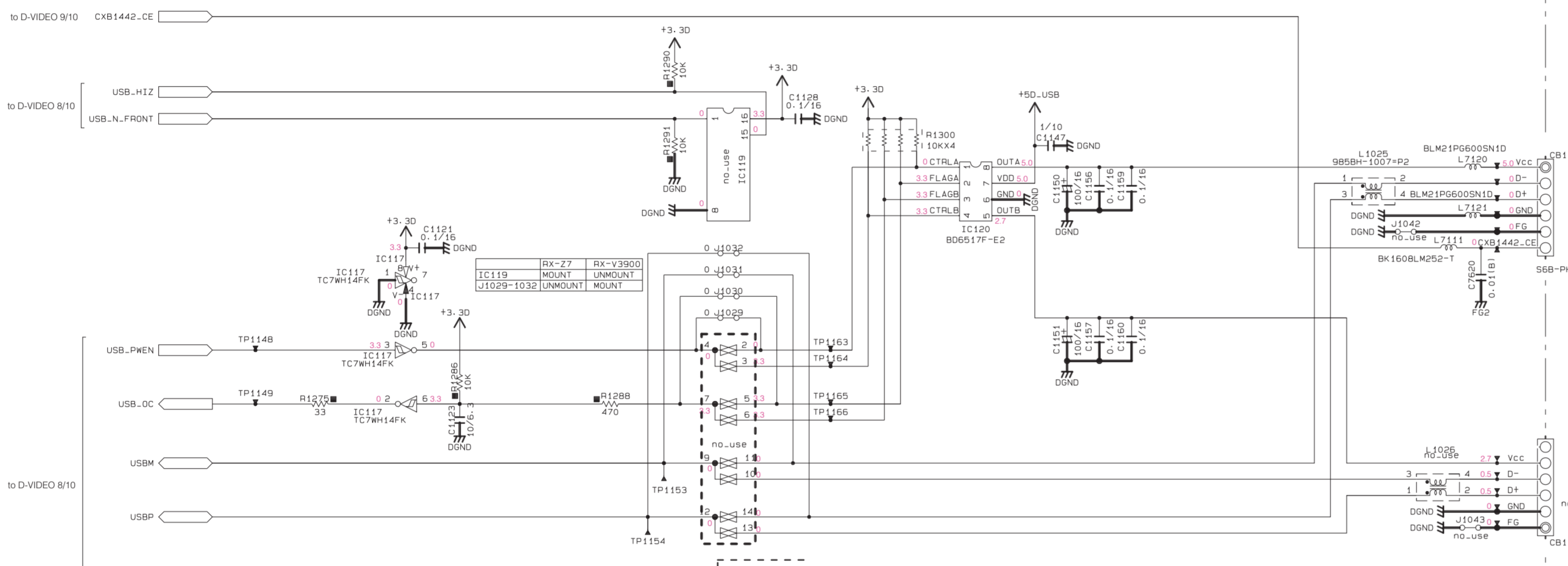
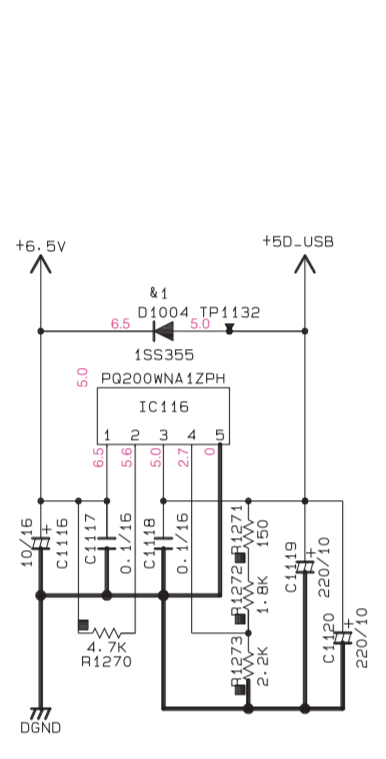
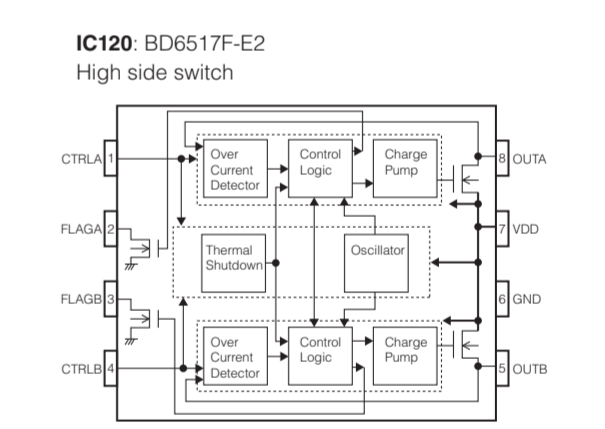
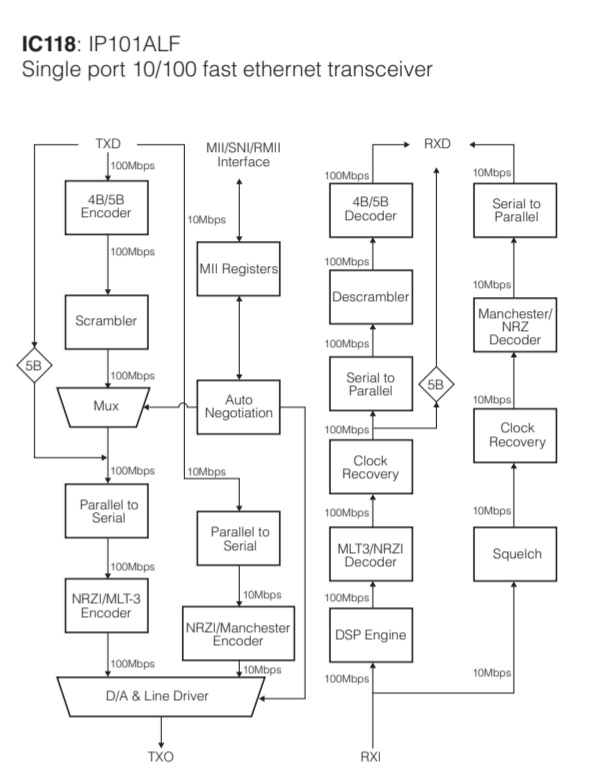
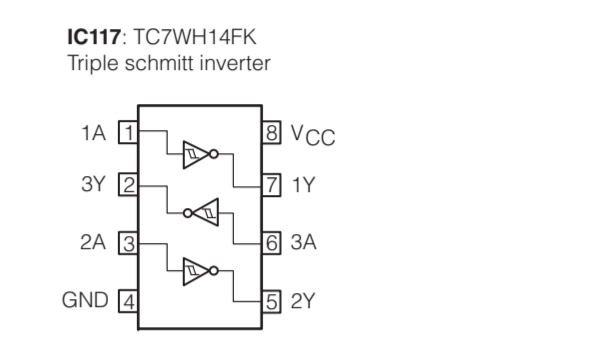
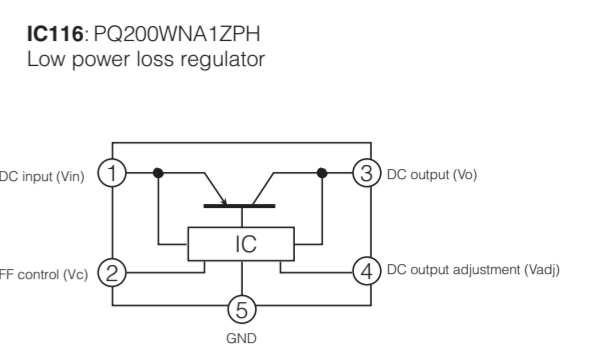
D-VIDEO 10/10



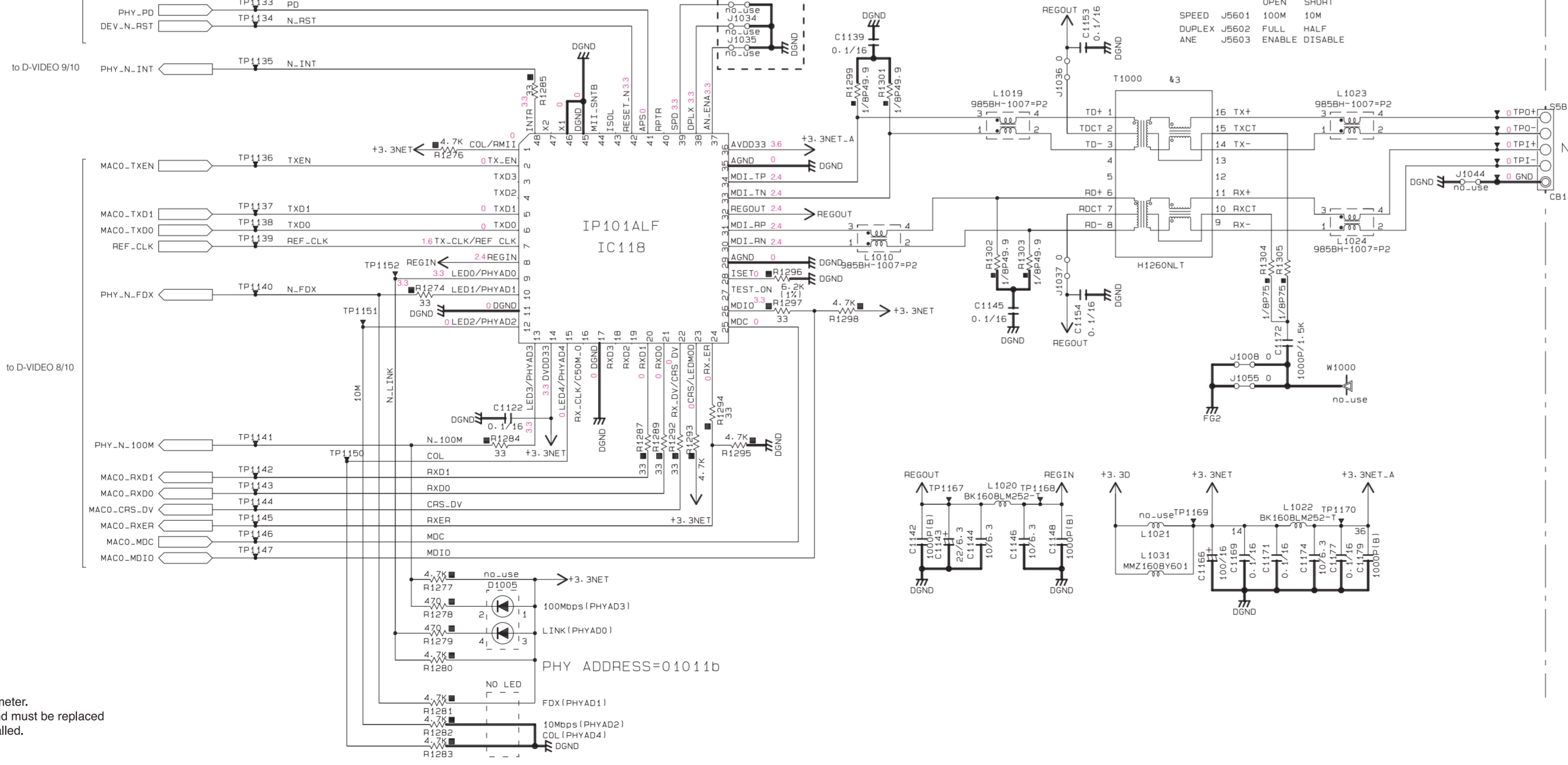
Page 170 [D2] to DCCNVT (1)_W702

Page 170 [B2] to DCCNVT (1)_W701

Page 170 [C2] to DCCNVT (1)_W703



Page 152 [L6] to OPERATION (7)_CB814



Page 170 [K6] to DCCNVT (2)_CB61

NOTICE [mode1]

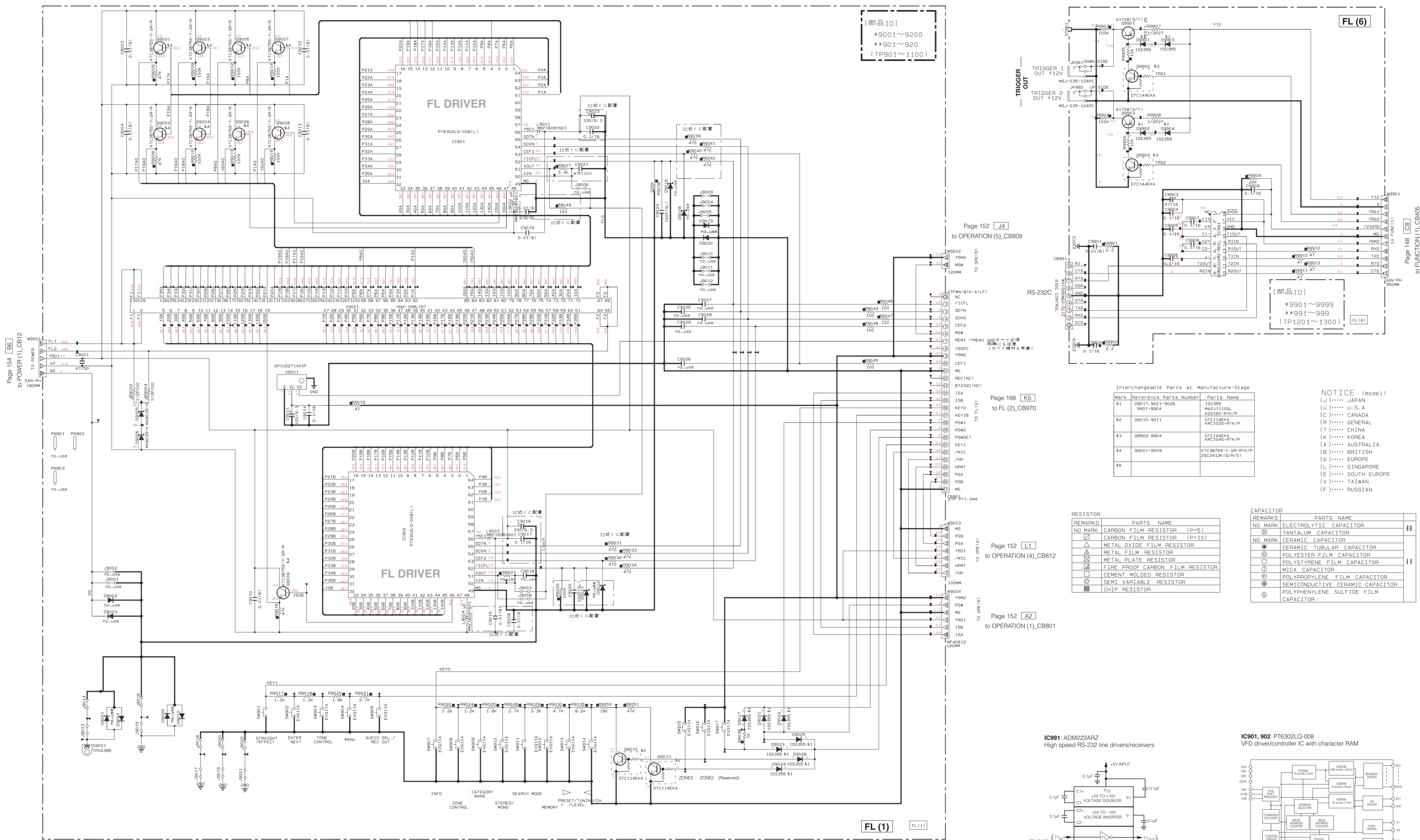
(J)..... JAPAN
(U)..... U.S.A
(C)..... CANADA
(R)..... GENERAL
(T)..... CHINA
(K)..... KOREA
(A)..... AUSTRALIA
(B)..... BRITISH
(G)..... EUROPE
(L)..... SINGAPORE
(E)..... SOUTH EUROPE
(V)..... TAIWAN
(F)..... RUSSIAN

REMARKS	PARTS NAME
NO MARK	CARBON FILM RESISTOR (P=5)
⊠	CARBON FILM RESISTOR (P=10)
△	METAL OXIDE FILM RESISTOR
▲	METAL PLATE RESISTOR
⊞	FIRE PROOF CARBON FILM RESISTOR
⊡	CEMENT MOLDED RESISTOR
⊕	SEMI VARIABLE RESISTOR
■	CHIP RESISTOR

REMARKS	PARTS NAME
NO MARK	ELECTROLYTIC CAPACITOR
⊗	TANTALUM CAPACITOR
NO MARK	CERAMIC CAPACITOR
●	CERAMIC TUBULAR CAPACITOR
⊙	POLYESTER FILM CAPACITOR
○	POLYSTYRENE FILM CAPACITOR
⊖	MICA CAPACITOR
⊚	POLYPROPYLENE FILM CAPACITOR
⊛	SEMICONDUCTIVE CERAMIC CAPACITOR
⊜	POLYPHENYLENE SULFIDE FILM CAPACITOR

★ All voltages are measured with a 10MQ/V DC electronic voltmeter.
★ Components having special characteristics are marked !, and must be replaced with parts having specifications equal to those originally installed.
★ Schematic diagram is subject to change without notice.

●電圧は、内部抵抗10MΩの電圧計で測定したものです。
●!印のある部品は、安全性確保部品を示しています。部品の交換が必要な場合、パーツリストに記載されている部品を使用してください。
●本回路図は標準回路図です。改良のため予告なく変更することがございます。



Page 154 [B6]
to POWER (1)_CB12

Page 152 [J4]
to OPERATION (5)_CB809

Page 168 [K5]
to FL (2)_CB970

Page 152 [L1]
to OPERATION (4)_CB812

Page 152 [A2]
to OPERATION (1)_CB801

Interchangeable Parts at Manufacture-Stage

Mark	Reference Parts Number	Parts Name
41	09017-9004-9026	15S395
42	09010-9011	MA2J1100L KRC1025-Rtk/P
43	09902-9904	DTC144KA KRC1025-Rtk/P
44	09001-9009	KTC38755-V-GR-Rtk/P 25C241K1G/R/S1

NOTICE (model)

(J)..... JAPAN
(U)..... U.S.A
(C)..... CANADA
(A)..... GENERAL
(T)..... CHINA
(K)..... KOREA
(A)..... AUSTRALIA
(B)..... BRITISH
(G)..... EUROPE
(L)..... SINGAPORE
(E)..... SOUTH EUROPE
(V)..... TAIWAN
(F)..... RUSSIAN

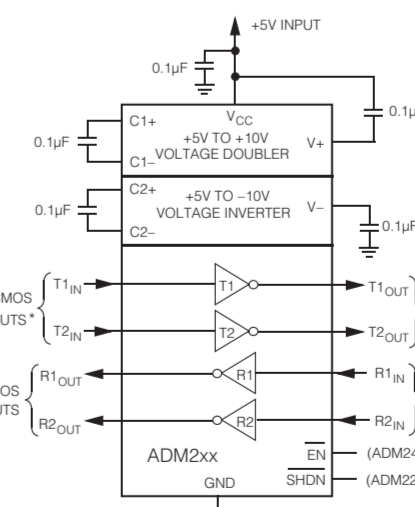
RESISTOR

REMARKS	PARTS NAME
NO MARK	CARBON FILM RESISTOR [P=5]
⊗	CARBON FILM RESISTOR [P=10]
△	METAL OXIDE FILM RESISTOR
⊙	METAL FILM RESISTOR
⊠	METAL PLATE RESISTOR
⊡	FIRE PROOF CARBON FILM RESISTOR
□	CEMENT MOLDED RESISTOR
⊕	SEMI VARIABLE RESISTOR
■	CHIP RESISTOR

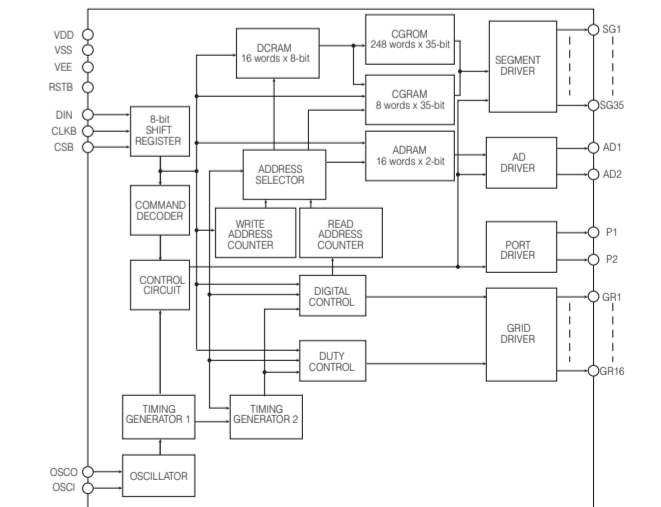
CAPACITOR

REMARKS	PARTS NAME
NO MARK	ELECTROLYTIC CAPACITOR
⊗	TANTALUM CAPACITOR
NO MARK	CERAMIC CAPACITOR
⊙	CERAMIC TUBULAR CAPACITOR
⊕	POLYESTER FILM CAPACITOR
⊖	POLYSTYRENE FILM CAPACITOR
○	MICA CAPACITOR
⊙	POLYPROPYLENE FILM CAPACITOR
⊕	SEMICONDUCTIVE CERAMIC CAPACITOR
⊖	POLYPHENYLENE SULFIDE FILM CAPACITOR

IC901: ADM2242ARZ
High speed RS-232 line drivers/receivers



IC901, 902: PT6302LQ-008
VFD driver/controller IC with character RAM



RX-V3900 (U, C, R, T, K, A, B, G, E, L models)
Key input(A-D) pull-up resistance 10 k-ohms

Ohm	0	+1.2k	+1.2k	+1.8k	+2.7k	+3.3k	+4.7k	+8.2k	+18.0k	+47.0k
V	-0.26	-0.75	-1.22	-1.76	-2.28	-2.75	-3.24	-4.25	-4.72	-
KEY0 (124pin/AN156)	INFO	ZONE CONTROLS	CATEGORY / BAND	STEREO/ MONO	SEARCH MODE	MEMORY	PRESET/ TUNING >	PRESET/ TUNING <	ZONE ON/OFF	ZONE ON/OFF
KEY1 (123pin/AN157)	STRAIGHT / EFFECT	ENTER	ZONE CONTROL	MENU	AUDIO SELECT / REC OUT	PURE DIRECT	-	-	-	-

* KEY0: R9022 to R9051 of FL (1) P.C.B. / KEY1: R9017 to R9021 of FL (1) P.C.B. / R8004 of OPERATION (2) P.C.B.

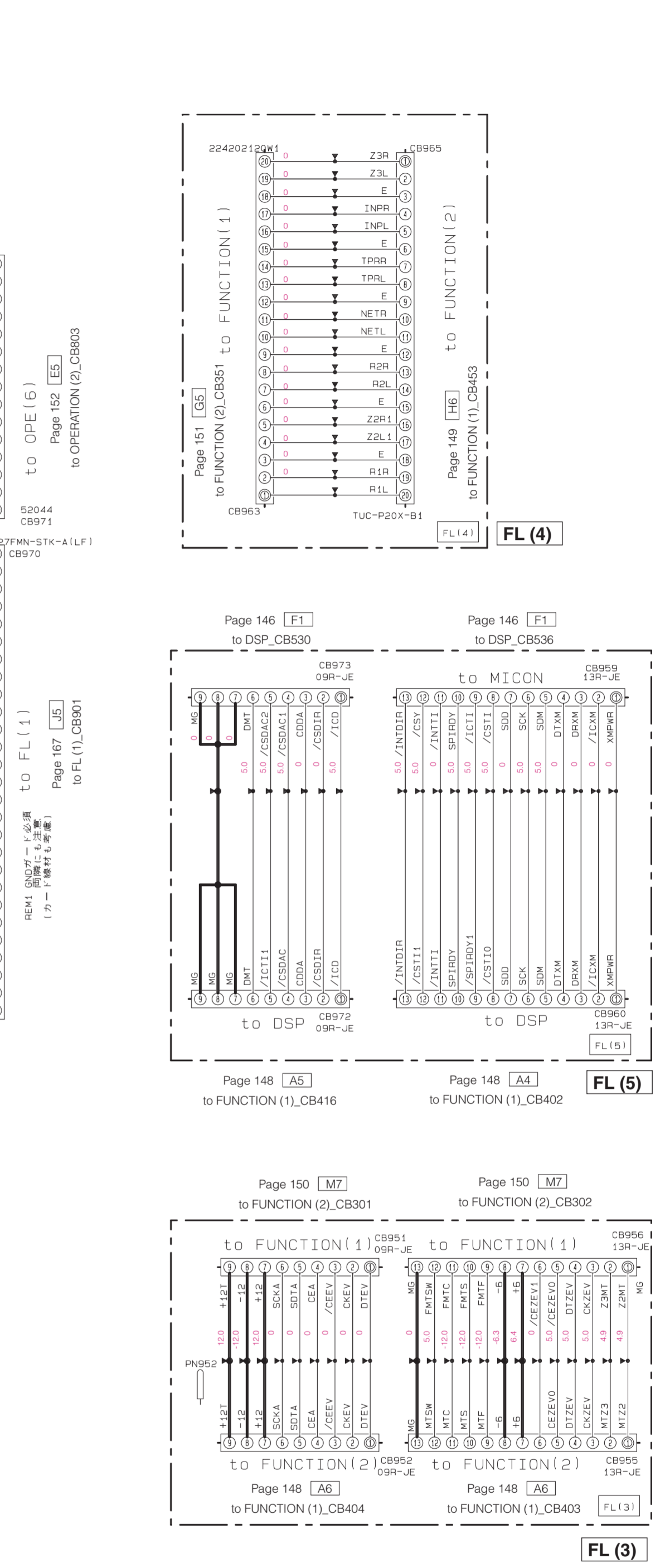
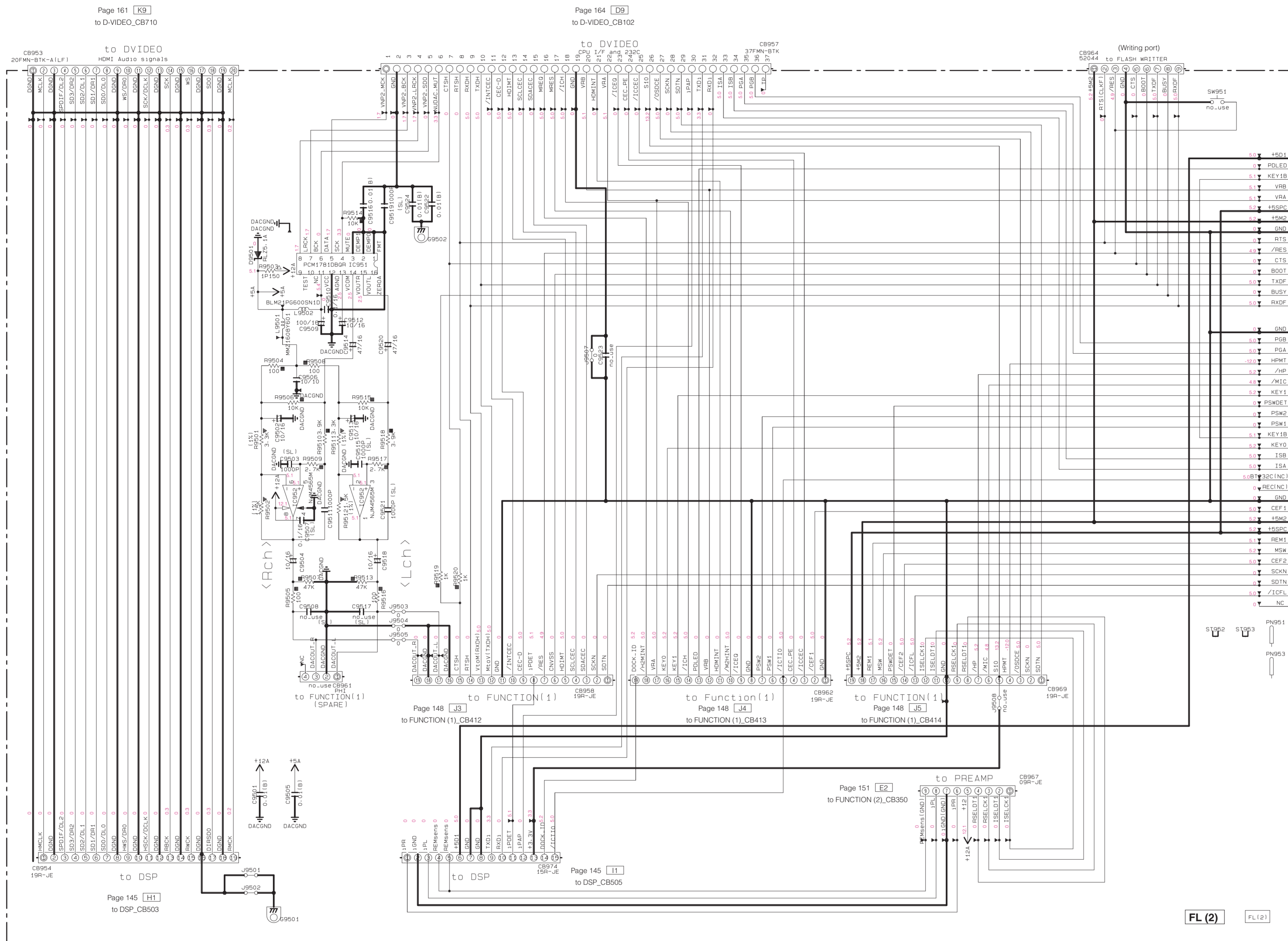
DSP-AX3900 (J model)
Key input(A-D) pull-up resistance 10 k-ohms

Ohm	0	+1.2k	+1.2k	+1.8k	+2.7k	+3.3k	+4.7k	+8.2k	+18.0k	+47.0k
V	-0.26	-0.75	-1.22	-1.76	-2.28	-2.75	-3.24	-4.25	-4.72	-
KEY0 (124pin/AN156)	INFO	-	BAND	STEREO/MONO	SEARCH MODE	MEMORY	PRESET/ TUNING >	PRESET/ TUNING <	-	-
KEY1 (123pin/AN157)	STRAIGHT / EFFECT	ENTER	ZONE CONTROL	MENU	AUDIO SELECT	PURE DIRECT	-	-	-	-

* KEY0: R9022 to R9051 of FL (1) P.C.B. / KEY1: R9017 to R9021 of FL (1) P.C.B. / R8004 of OPERATION (2) P.C.B.

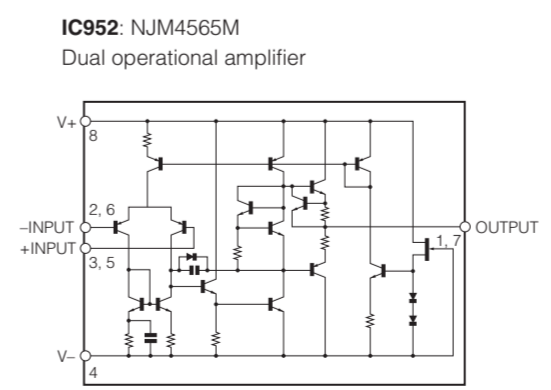
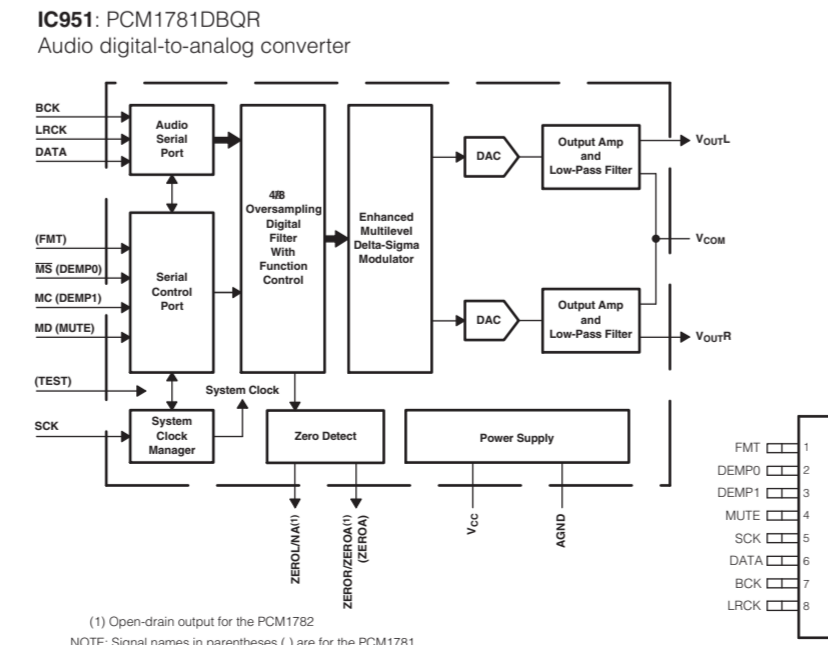
* All voltages are measured with a 10MΩ/V DC electronic voltmeter.
* Components having special characteristics are marked with a triangle and must be replaced with parts having specifications equal to those originally installed.
* Schematic diagram is subject to change without notice.

● 電圧は、内部抵抗10MΩの電圧計で測定したものです。
● 三角形印のある部品は、安全確保部品を示しています。部品の交換が必要な場合、パーツリストに記載されている部品を使用してください。
● 本回路図は標準回路図です。改良のため予告なく変更することがございます。



★ All voltages are measured with a 10MQ/V DC electronic voltmeter.
 ★ Components having special characteristics are marked '!' and must be replaced with parts having specifications equal to those originally installed.
 ★ Schematic diagram is subject to change without notice.

● 電圧は、内部抵抗10MQの電圧計で測定したものです。
 ● !印のある部品は、安全性確保部品を示しています。部品の交換が必要な場合、パーツリストに記載されている部品を使用してください。
 ● 本回路図は標準回路図です。改良のため予告なく変更することがございます。



RESISTOR	
REMARKS	PARTS NAME
NO MARK	CARBON FILM RESISTOR (P=5)
□	CARBON FILM RESISTOR (P=10)
△	METAL OXIDE FILM RESISTOR
◇	METAL FILM RESISTOR
■	METAL PLATE RESISTOR
⊠	FIRE PROOF CARBON FILM RESISTOR
⊞	CEMENT MOLDED RESISTOR
⊚	SEMI VARIABLE RESISTOR
⊛	CHIP RESISTOR

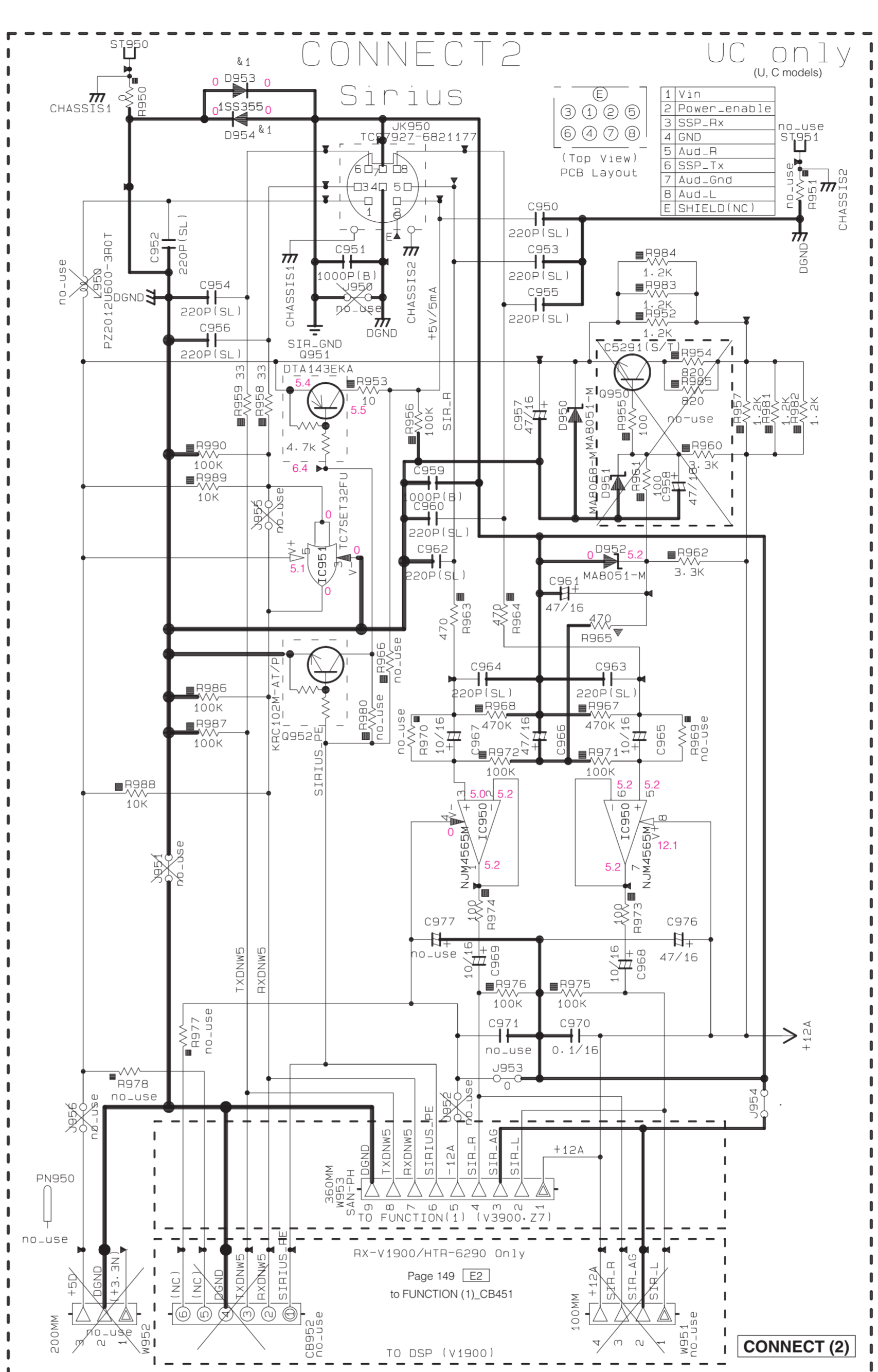
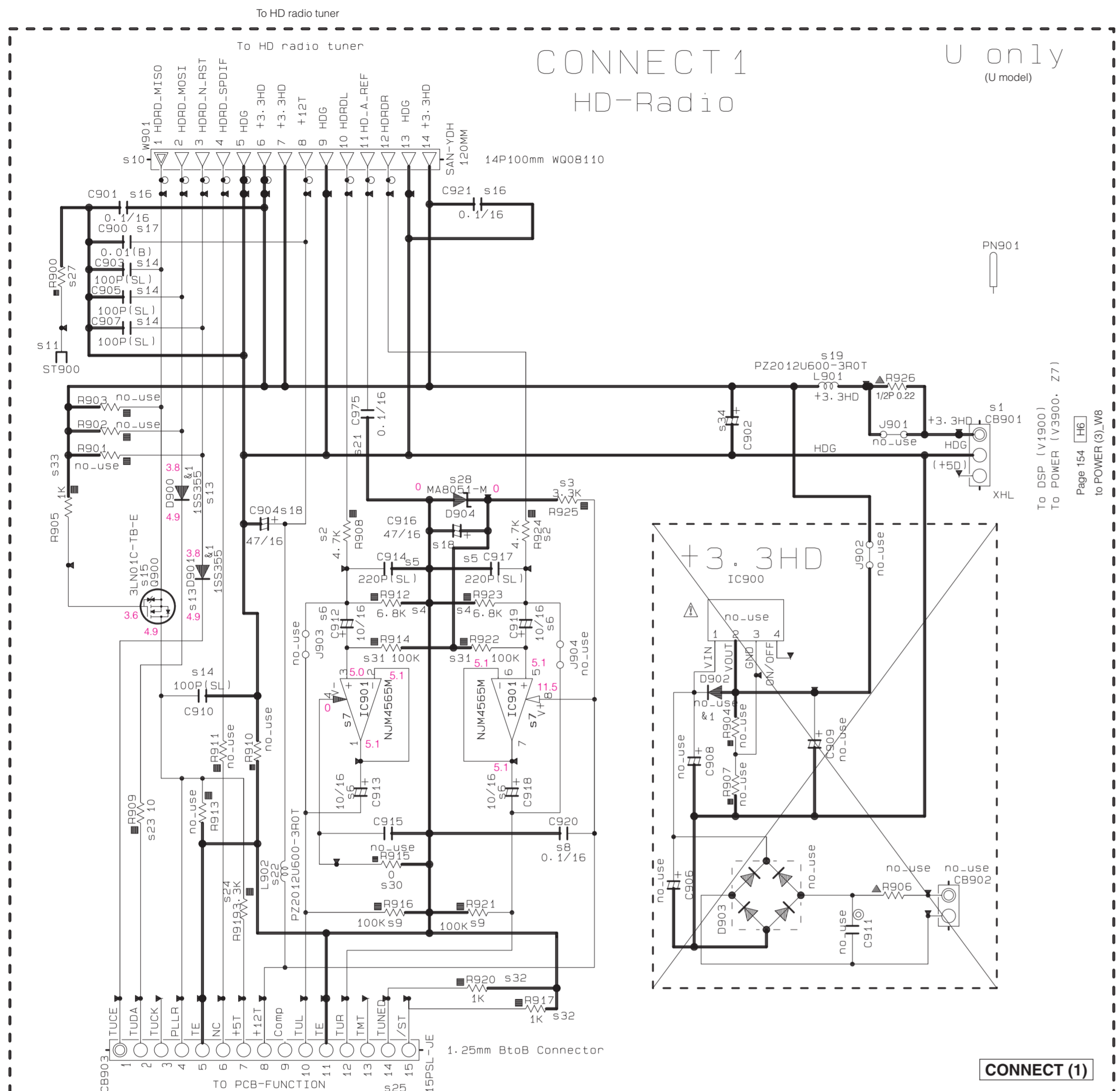
CAPACITOR	
REMARKS	PARTS NAME
U	ELECTROLYTIC CAPACITOR
⊖	TANTALUM CAPACITOR
NO MARK	CERAMIC CAPACITOR
⊙	CERAMIC TUBULAR CAPACITOR
⊕	POLYESTER FILM CAPACITOR
⊖	POLYSTYRENE FILM CAPACITOR
⊗	MICA CAPACITOR
⊘	POLYPROPYLENE FILM CAPACITOR
⊙	SEMICONDUCTIVE CERAMIC CAPACITOR

NOTICE (model)
 (J)..... JAPAN
 (U)..... U.S.A
 (C)..... CANADA
 (R)..... GENERAL
 (T)..... CHINA
 (K)..... KOREA
 (A)..... AUSTRALIA
 (B)..... BRITISH
 (G)..... EUROPE
 (L)..... SINGAPORE
 (E)..... SOUTH EUROPE
 (V)..... TAIWAN
 (F)..... RUSSIAN

部品ID
 *9501~9800
 **951~980
 (TP2001~2300)

(1) Open-drain output for the PCM1782
 NOTE: Signal names in parentheses () are for the PCM1781.

CONNECT



Destination Part List

sXX	LOC	U	C
s1	CB901	LB91903 XHL	X
s2	R908	RD35647 4.7K	X
s3	R925	RD35633 3.3K	X
s4	R912	RD35668 6.8K	X
s5	C914	US06222 220P(SL)	X
s6	C912	UM39710 10/16	X
s7	IC901	X7378A0 NJM4565M	X
s8	C920	US13510 0.1/16	X
s9	R921	RD35810 100K	X
s10	W901	W008110 SAN-YDH	X
s11	ST900	V404050	X
s13	D901	VT33290 1S5355	X
s14	C907	US06210 100P(SL)	X
s15	D900	WH44500 3LNO1C-TB-E	X
s16	C901	US13510 0.1/16	X
s17	C900	US06410 0.01(B)	X
s18	C916	UM39747 47/16	X
s19	L901	W653720 PZ2012U600-3R0T	X
s21	C975	US13510 0.1/16	X
s22	L902	W653720 PZ2012U600-3R0T	X
s23	R909	RD35410 10	X
s24	R919	RD35633 3.3K	X
s25	CB903	VU44380 15PSL-JE	X
s27	R900	RD35000 0	X
s28	D904	VU99260 MAB051-M	X
s29	PN901	V963750	X
s30	R915	RD35000 0	X
s31	R914	RD35810 100K	X
s32	R920	RD35610 1K	X
s33	R905	RD35610 1K	X
s34	C902	UR21922 2200/5.3	X
NA No.		WP15650 WP15660	
NC No.		X9907	

Page 148 A2 to FUNCTION (1)_CB401

NOTICE (model)
 (J)..... JAPAN
 (U)..... U.S.A
 (C)..... CANADA
 (R)..... GENERAL
 (T)..... CHINA
 (K)..... KOREA
 (A)..... AUSTRALIA
 (B)..... BRITISH
 (G)..... EUROPE
 (L)..... SINGAPORE
 (E)..... SOUTH EUROPE
 (V)..... TAIWAN
 (F)..... RUSSIAN

Interchangeable Parts at Manufacture-Stage

Mark	Reference Parts Number	Parts Name
&1	D900. 901. 953. 954	1SS355 MA2J1110GL KDS160-RTK/P

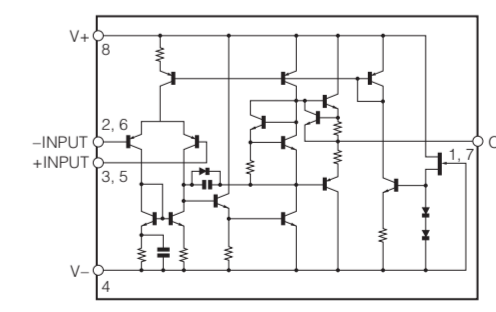
RESISTOR

REMARKS	PARTS NAME
NO MARK	ELECTROLYTIC CAPACITOR
⊗	TANTALUM CAPACITOR
NO MARK	CARBON FILM RESISTOR (P=5)
□	CARBON FILM RESISTOR (P=10)
△	METAL OXIDE FILM RESISTOR
▲	METAL FILM RESISTOR
⊠	METAL PLATE RESISTOR
⊞	FIRE PROOF CARBON FILM RESISTOR
□	CEMENT MOLDED RESISTOR
⊘	SEMI VARIABLE RESISTOR
■	CHIP RESISTOR

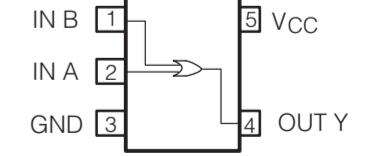
CAPACITOR

REMARKS	PARTS NAME
NO MARK	ELECTROLYTIC CAPACITOR
⊗	TANTALUM CAPACITOR
NO MARK	CERAMIC CAPACITOR
●	CERAMIC TUBULAR CAPACITOR
◎	POLYESTER FILM CAPACITOR
○	POLYSTYRENE FILM CAPACITOR
①	MICA CAPACITOR
②	POLYPROPYLENE FILM CAPACITOR
⊙	SEMICONDUCTIVE CERAMIC CAPACITOR
Ⓢ	POLYPHENYLENE SULFIDE FILM CAPACITOR

IC901, 950: NJM4565M Dual operational amplifier



IC951: TC7SET32FU 2-input OR gate

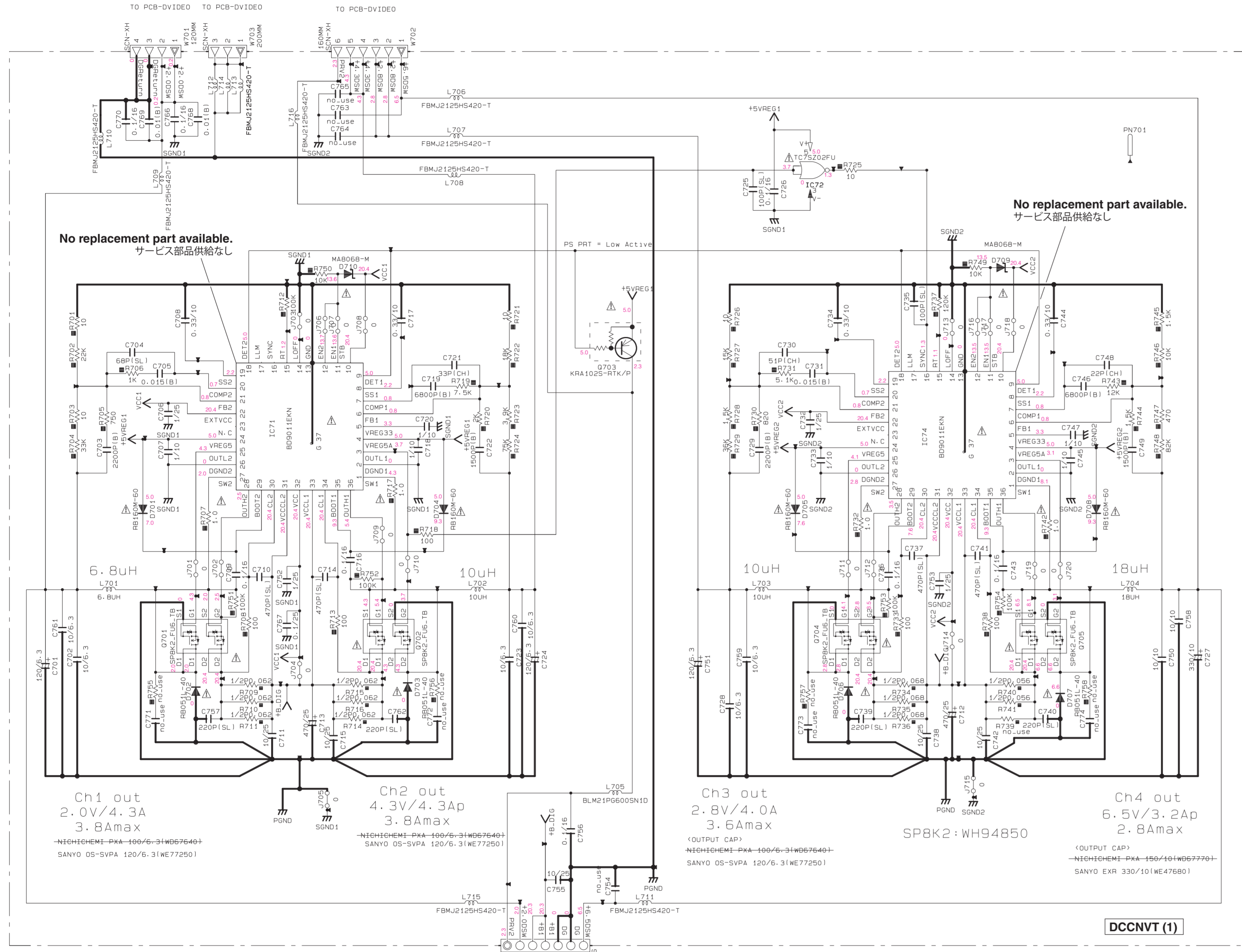


* All voltages are measured with a 10MΩ/V DC electronic voltmeter.
 * Components having special characteristics are marked with a triangle and must be replaced with parts having specifications equal to those originally installed.
 * Schematic diagram is subject to change without notice.

●電圧は、内部抵抗10MΩの電圧計で測定したものです。
 ●△印のある部品は、安全性確保部品を示しています。部品の交換が必要な場合、パーツリストに記載されている部品を使用してください。
 ●本回路図は標準回路図です。改良のため予告なく変更することがございます。

DCCNVT

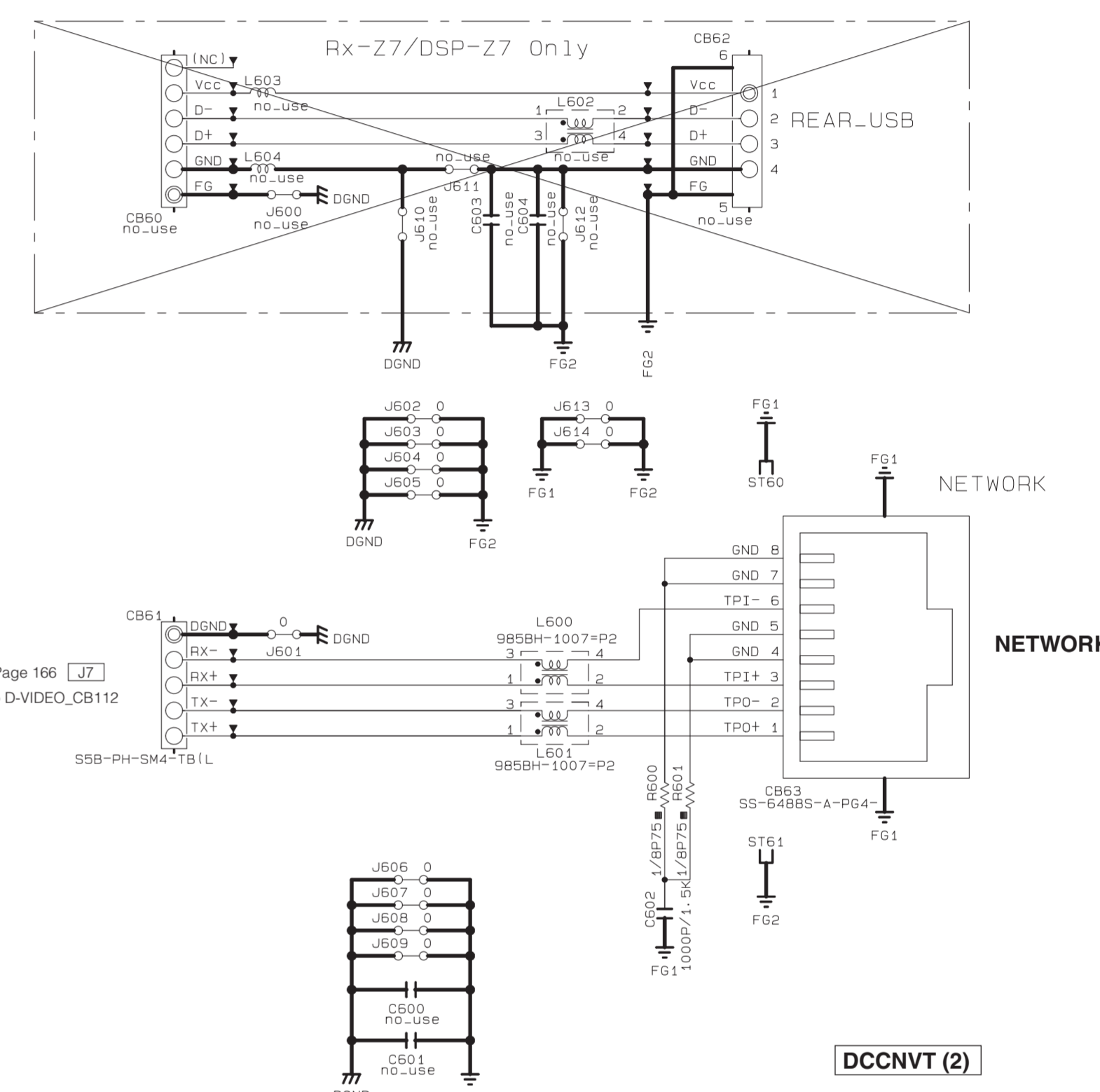
Page 166 [J3] to D-VIDEO_CB108
Page 166 [J3] to D-VIDEO_CB109
Page 166 [J2] to D-VIDEO_CB107



DCCNVT 001

REF : 71 - 80. 701 - 800

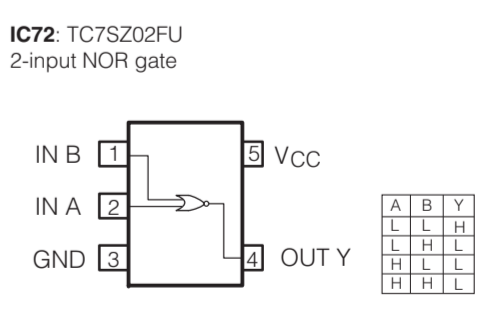
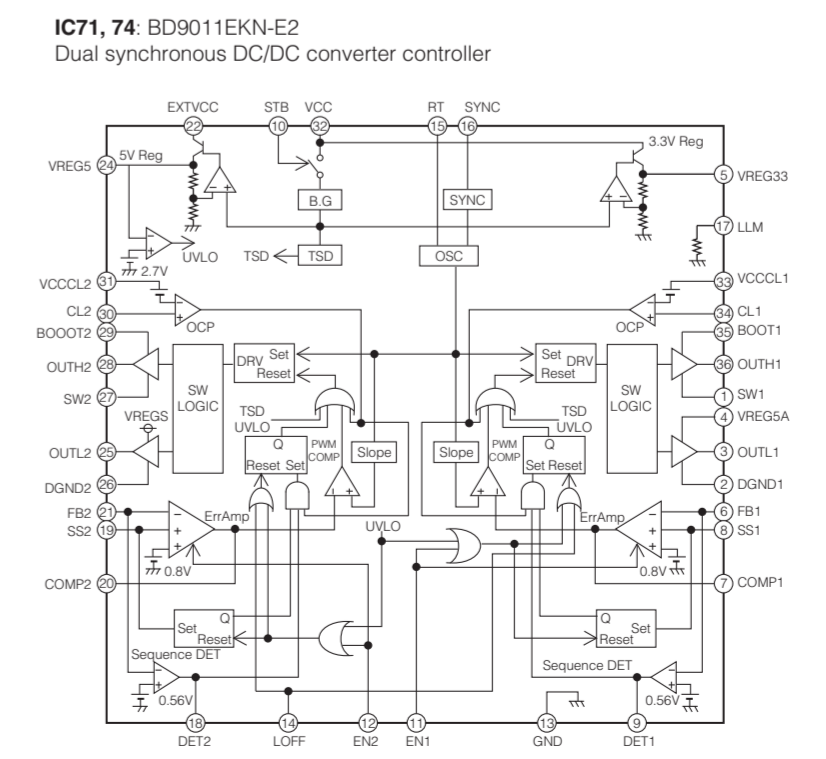
RESISTOR and CAPACITOR tables with columns for REMARKS, PARTS_NAME, and NO MARK. Includes a NOTICE table with country codes like (J) for JAPAN, (U) for U.S.A, etc.



DCCNVT (2)

DCCNVT 002

Lo:60-66 600-669



All voltages are measured with a 10MQ/V DC electronic voltmeter. Components having special characteristics are marked with a triangle and must be replaced with parts having specifications equal to those originally installed. Schematic diagram is subject to change without notice.